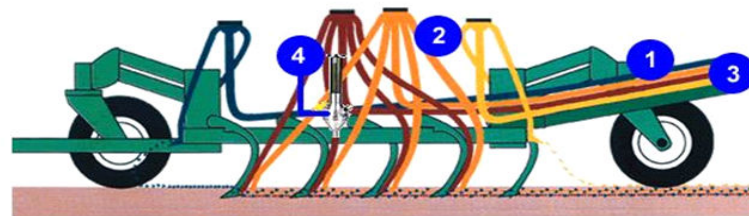




Simplicity
A U S T R A L I A

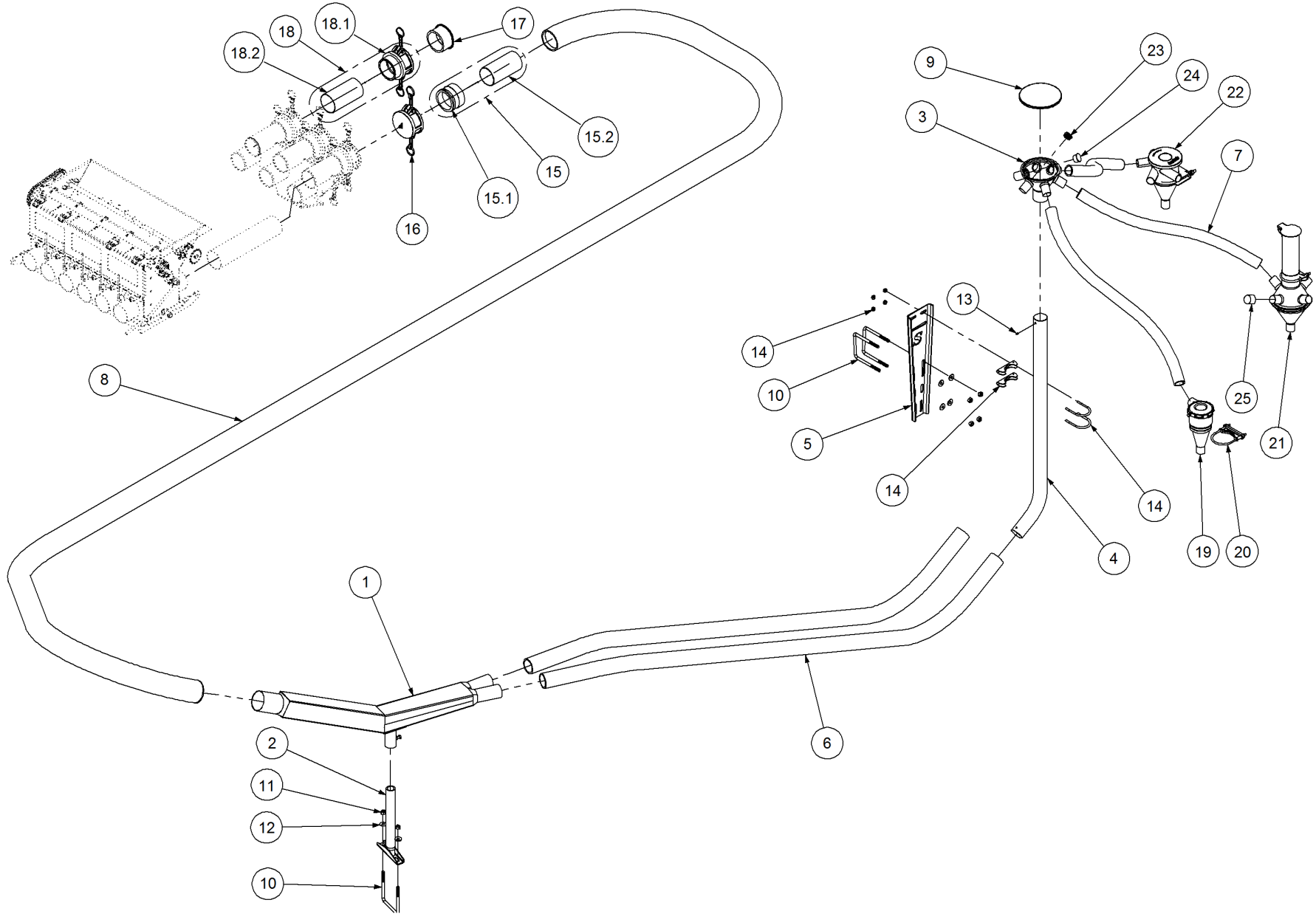
Parts Manual

Air Seeder Distribution Systems



SEEDING KITS

- | | | | |
|---|------------------|---|------------------------|
| 1 | Primary Dividers | 3 | Restrictors & camlocks |
| 2 | Secondary Heads | 4 | Cyclones |

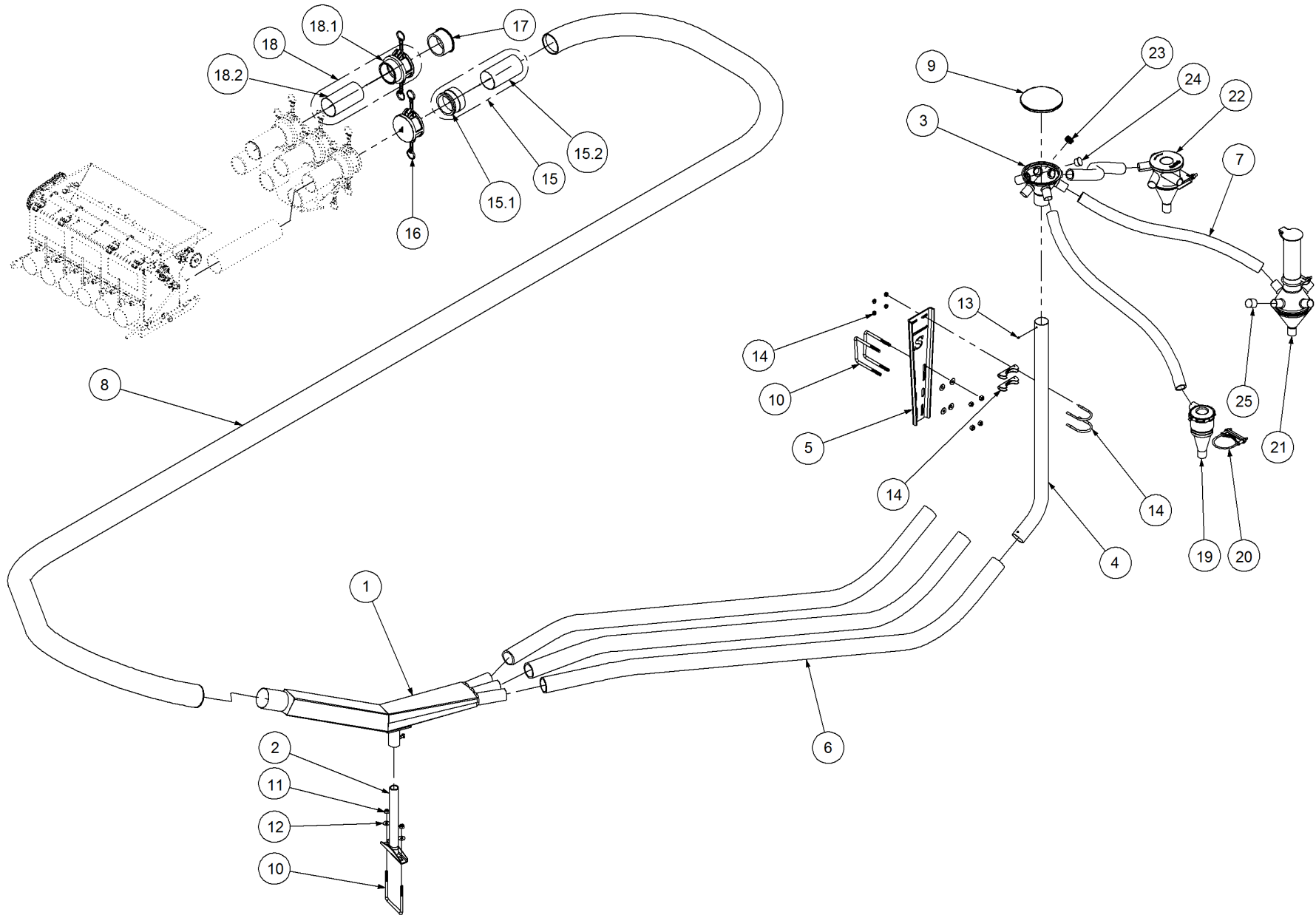




P/N Distribution System

2 Way x 2" Configuration

Key	Part Number	Description	Qty	Key	Part Number	Description	Qty
1	285251001	Primary Divider WA - 2 way / 2" Outlet (PD-2)	As Req	14	103100050	Clamp Exhaust Round 2" ZP	As Req
2	287000001	Primary Divider Mount WA (Suit 2 1/2" - 4" Bar)	As Req	15	280000276	Camlock 3" Male With Tail	As Req
2	287000025	Primary Divider Mount WA (Suit 5" - 6" Bar)	As Req	15.1	108000276	Coupling - 3" Male	As Req
2	287000021	Primary Divider Mount WA (Suit 6" - 8" Bar)	As Req	15.2	280000177	Camlock ERW Tail 3"	As Req
3	286045101	Secondary Head 51mm 4 Way x 2"	As Req	16	108000076	Cap - 3" Male	As Req
3	286055101	Secondary Head 51mm 5 Way x 2"	As Req	17	108000075	Plug - 3" Female	As Req
3	286065101	Secondary Head 51mm 6 Way x 2"	As Req	18	280000176	Camlock 3" Female With Tail	As Req
3	286075101	Secondary Head 51mm 7 Way x 2"	As Req	18.1	108000176	Coupling - 3" Female	As Req
3	286085101	Secondary Head 51mm 8 Way x 2"	As Req	18.2	280000177	Camlock ERW Tail 3"	As Req
3	286095101	Secondary Head 51mm 9 Way x 2"	As Req	19	195002001	Diffuser D-Cup	As Req
3	286105101	Secondary Head 51mm 10 Way x 2"	As Req	20	195002006	Diffuser D-Cup Clamp Kit	As Req
4	288504501	Secondary Head Stand Tube 50mm Zp (2")	As Req	21	289432001	Cyclone Assy 1-1/4" Outlet	As Req
5	288404002	Universal Secondary Head Mount	As Req	22	289432007	Diffuser 4 Inlet Assembly	As Req
6	109500051	Hose Nylaflex 51mm Grey Seeder	As Req	23	SD-EP18S	Blank Off Plug Suit S/S Head	As Req
7	109500032	Hose Smooth Bore 31.58mm	As Req	24	SD-EP18	Blank Off Plug Suit Aluminium Head	As Req
8	109500076	Hose Nylaflex 76mm Grey Seeder	As Req	25	197060317	Blank Off Plug 31.5mm For Cyclone	As Req
9	197060052	Rubber Head Cap 150mm ID	As Req				
10	020050050	U Bolt 3/8" X 2" X 2" UNC Zp	As Req				
10	020089089	U Bolt 3/8" X 3 1/2" X 3 1/2" UNC Zp	As Req				
10	020075075	U Bolt 3/8" X 3" X 3" UNC Zp	As Req				
10	020100050	U Bolt 3/8" X 4" X 2" UNC Zp	As Req				
10	020100090	U Bolt 3/8" X 4" X 3 1/2" UNC Zp	As Req				
10	020100100	U Bolt 3/8" X 4" X 4" UNC Zp	As Req				
10	020100150	U Bolt 3/8" X 4" X 6" UNC Zp	As Req				
10	020127127	U Bolt 3/8" x 5" x 5" UNC ZP	As Req				
10	020150100	U Bolt 3/8" X 6" X 4" UNC Zp	As Req				
10	020150150	U Bolt 3/8" X 6" X 6" UNC Zp	As Req				
10	020178178	U Bolt 3/8" X 7" X 7" UNC Zp	As Req				
10	020200200	U Bolt 3/8" X 8" X 8" UNC Zp	As Req				
11	030130101	Nut 3/8" UNC Nyloc	As Req				
12	035110251	Flat Washer 3/8" ID	As Req				
13	094103000	Pop Rivet 1/8" Steel	As Req				



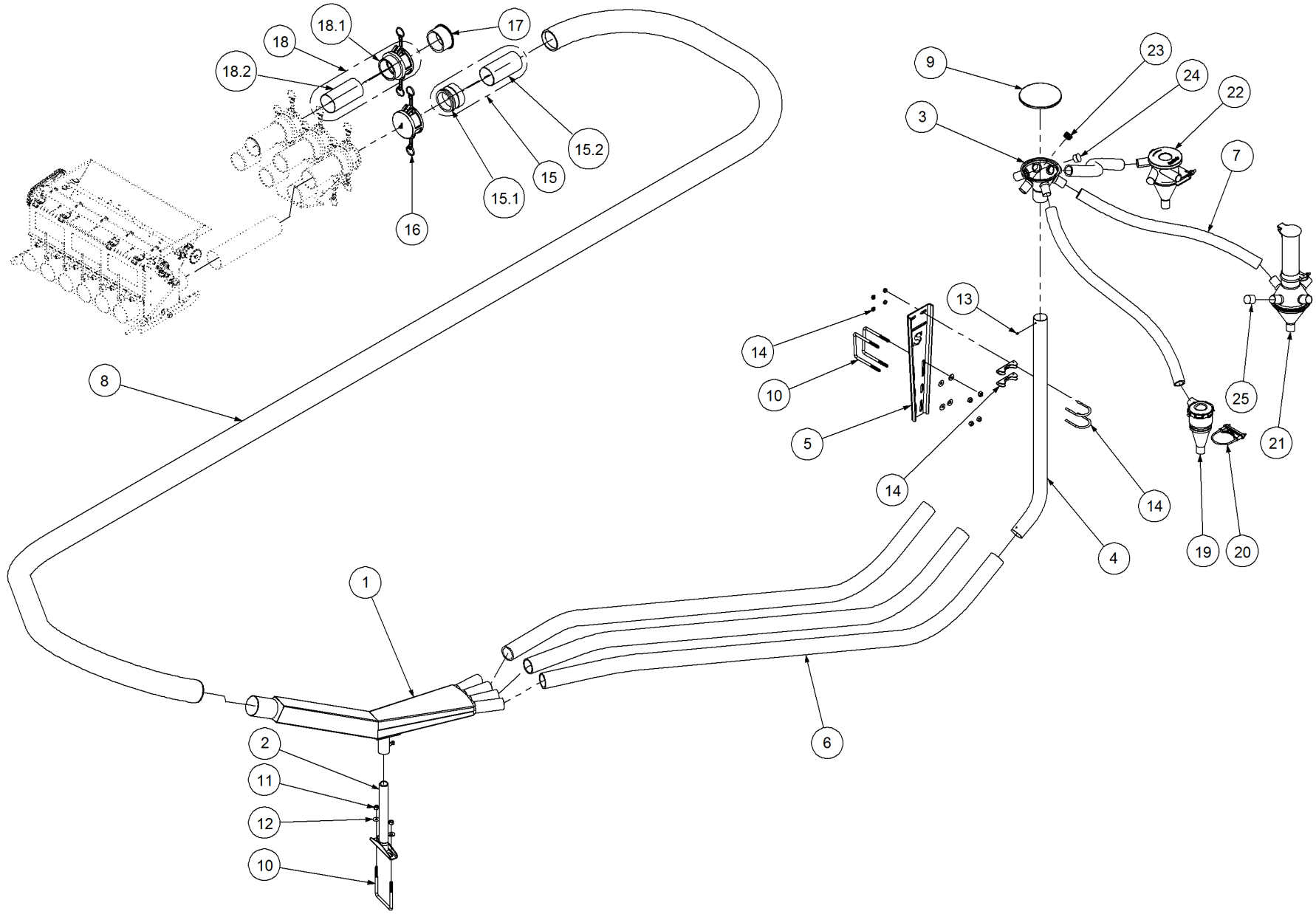


P/N Distribution System

3 Way x 1-3/4" Configuration

Key	Part Number	Description	Qty
1	285344001	Primary Divider WA - 3 way / 1 3/4" Outlet (PD-3)	As Req
2	287000001	Primary Divider Mount WA (Suit 2 1/2" - 4" Bar)	As Req
2	287000025	Primary Divider Mount WA (Suit 5" - 6" Bar)	As Req
2	287000021	Primary Divider Mount WA (Suit 6" - 8" Bar)	As Req
3	286044401	Secondary Head 44.5mm 4 Way x 1 3/4"	As Req
3	286054401	Secondary Head 44.5mm 5 Way x 1 3/4"	As Req
3	286064401	Secondary Head 44.5mm 6 Way x 1 3/4"	As Req
3	286074401	Secondary Head 44.5mm 7 Way x 1 3/4"	As Req
3	286084401	Secondary Head 44.5mm 8 Way x 1 3/4"	As Req
3	286094401	Secondary Head 44.5mm 9 Way x 1 3/4"	As Req
3	286104401	Secondary Head 44.5mm 10 Way x 1 3/4"	As Req
4	288504451	Secondary Head Stand Tube 45mm Zp (1 3/4")	As Req
5	288404002	Universal Secondary Head Mount	As Req
6	109500045	Hose Nylaflex 44mm Grey Seeder	As Req
7	109500032	Hose Smooth Bore 31.58mm	As Req
8	109500076	Hose Nylaflex 76mm Grey Seeder	As Req
9	197060052	Rubber Head Cap 150mm ID	As Req
10	020050050	U Bolt 3/8" X 2" X 2" UNC Zp	As Req
10	020089089	U Bolt 3/8" X 3 1/2" X 3 1/2" UNC Zp	As Req
10	020075075	U Bolt 3/8" X 3" X 3" UNC Zp	As Req
10	020100050	U Bolt 3/8" X 4" X 2" UNC Zp	As Req
10	020100090	U Bolt 3/8" X 4" X 3 1/2" UNC Zp	As Req
10	020100100	U Bolt 3/8" X 4" X 4" UNC Zp	As Req
10	020100150	U Bolt 3/8" X 4" X 6" UNC Zp	As Req
10	020127127	U Bolt 3/8" x 5" x 5" UNC ZP	As Req
10	020150100	U Bolt 3/8" X 6" X 4" UNC Zp	As Req
10	020150150	U Bolt 3/8" X 6" X 6" UNC Zp	As Req
10	020178178	U Bolt 3/8" X 7" X 7" UNC Zp	As Req
10	020200200	U Bolt 3/8" X 8" X 8" UNC Zp	As Req
11	030130101	Nut 3/8" UNC Nyloc	As Req
12	035110251	Flat Washer 3/8" ID	As Req
13	094103000	Pop Rivet 1/8" Steel	As Req

Key	Part Number	Description	Qty
14	103100045	Clamp Exhaust 1-3/4" Dia	
15	280000276	Camlock 3" Male With Tail	As Req
15.1	108000276	Coupling - 3" Male	As Req
15.2	280000177	Camlock ERW Tail 3"	As Req
16	108000076	Cap - 3" Male	As Req
17	108000075	Plug - 3" Female	As Req
18	280000176	Camlock 3" Female With Tail	As Req
18.1	108000176	Coupling - 3" Female	As Req
18.2	280000177	Camlock ERW Tail 3"	As Req
19	195002001	Diffuser D-Cup	As Req
20	195002006	Diffuser D-Cup Clamp Kit	As Req
21	289432001	Cyclone Assy 1-1/4" Outlet	As Req
22	289432007	Diffuser 4 Inlet Assembly	As Req
23	SD-EP18S	Blank Off Plug Suit S/S Head	As Req
24	SD-EP18	Blank Off Plug Suit Aluminium Head	As Req
25	197060317	Blank Off Plug 31.5mm For Cyclone	As Req

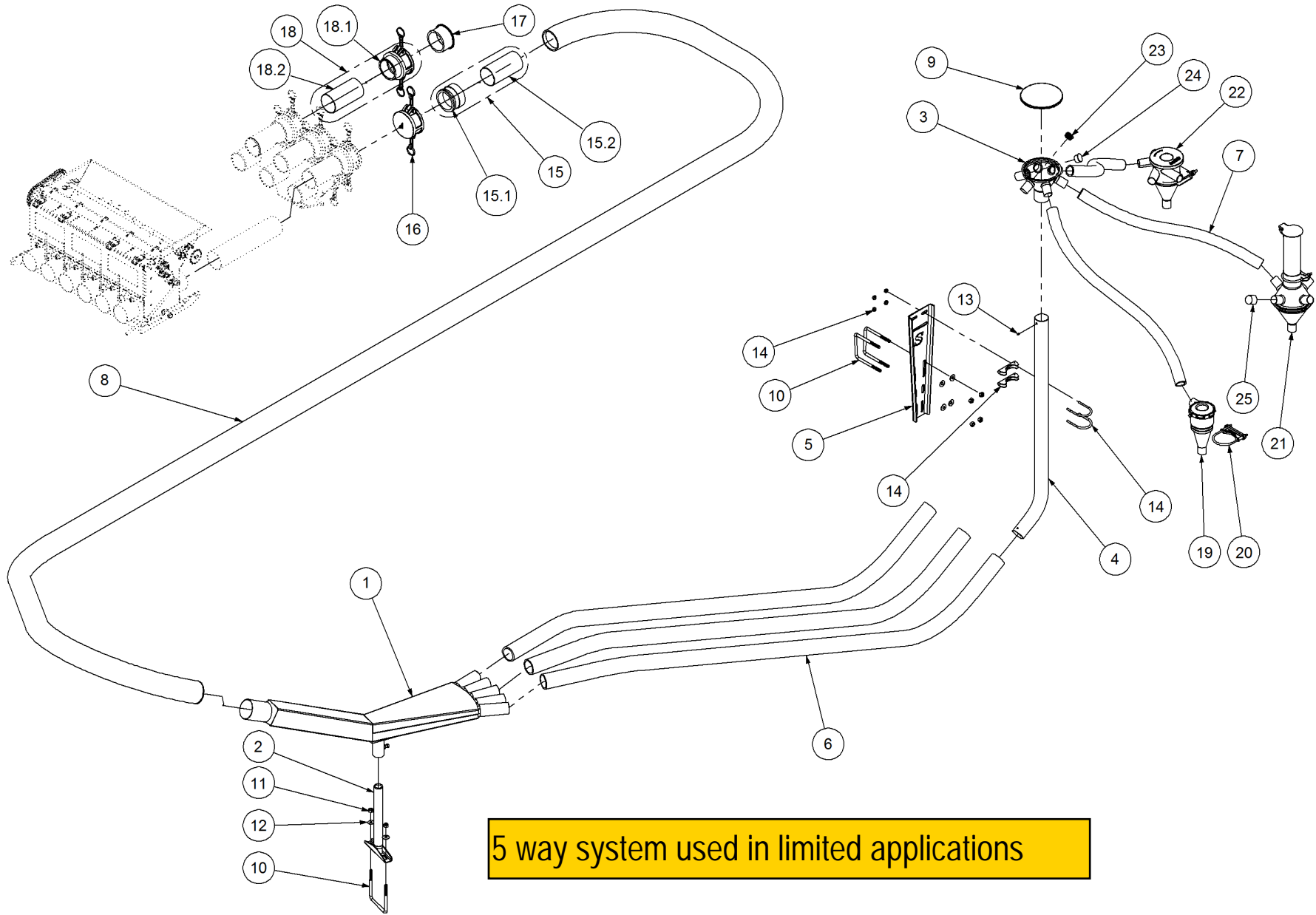




P/N Distribution System

4 Way x 1-3/4" Configuration

Key	Part Number	Description	Qty	Key	Part Number	Description	Qty
1	285444001	Primary Divider WA - 4 way / 1 3/4" Outlet (PD-4)	As Req	14	103100045	Clamp Exhaust 1-3/4" Dia	
2	287000001	Primary Divider Mount WA (Suit 2 1/2" - 4" Bar)	As Req	15	280000276	Camlock 3" Male With Tail	As Req
2	287000025	Primary Divider Mount WA (Suit 5" - 6" Bar)	As Req	15.1	108000276	Coupling - 3" Male	As Req
2	287000021	Primary Divider Mount WA (Suit 6" - 8" Bar)	As Req	15.2	280000177	Camlock ERW Tail 3"	As Req
3	286044401	Secondary Head 44.5mm 4 Way x 1 3/4"	As Req	16	108000076	Cap - 3" Male	As Req
3	286054401	Secondary Head 44.5mm 5 Way x 1 3/4"	As Req	17	108000075	Plug - 3" Female	As Req
3	286064401	Secondary Head 44.5mm 6 Way x 1 3/4"	As Req	18	280000176	Camlock 3" Female With Tail	As Req
3	286074401	Secondary Head 44.5mm 7 Way x 1 3/4"	As Req	18.1	108000176	Coupling - 3" Female	As Req
3	286084401	Secondary Head 44.5mm 8 Way x 1 3/4"	As Req	18.2	280000177	Camlock ERW Tail 3"	As Req
3	286094401	Secondary Head 44.5mm 9 Way x 1 3/4"	As Req	19	195002001	Diffuser D-Cup	As Req
3	286104401	Secondary Head 44.5mm 10 Way x 1 3/4"	As Req	20	195002006	Diffuser D-Cup Clamp Kit	As Req
4	288504451	Secondary Head Stand Tube 45mm Zp (1 3/4")	As Req	21	289432001	Cyclone Assy 1-1/4" Outlet	As Req
5	288404002	Universal Secondary Head Mount	As Req	22	289432007	Diffuser 4 Inlet Assembly	As Req
6	109500045	Hose Nylaflex 44mm Grey Seeder	As Req	23	SD-EP18S	Blank Off Plug Suit S/S Head	As Req
7	109500032	Hose Smooth Bore 31.58mm	As Req	24	SD-EP18	Blank Off Plug Suit Aluminium Head	As Req
8	109500076	Hose Nylaflex 76mm Grey Seeder	As Req	25	197060317	Blank Off Plug 31.5mm For Cyclone	As Req
9	197060052	Rubber Head Cap 150mm ID	As Req				
10	020050050	U Bolt 3/8" X 2" X 2" UNC Zp	As Req				
10	020089089	U Bolt 3/8" X 3 1/2" X 3 1/2" UNC Zp	As Req				
10	020075075	U Bolt 3/8" X 3" X 3" UNC Zp	As Req				
10	020100050	U Bolt 3/8" X 4" X 2" UNC Zp	As Req				
10	020100090	U Bolt 3/8" X 4" X 3 1/2" UNC Zp	As Req				
10	020100100	U Bolt 3/8" X 4" X 4" UNC Zp	As Req				
10	020100150	U Bolt 3/8" X 4" X 6" UNC Zp	As Req				
10	020127127	U Bolt 3/8" x 5" x 5" UNC ZP	As Req				
10	020150100	U Bolt 3/8" X 6" X 4" UNC Zp	As Req				
10	020150150	U Bolt 3/8" X 6" X 6" UNC Zp	As Req				
10	020178178	U Bolt 3/8" X 7" X 7" UNC Zp	As Req				
10	020200200	U Bolt 3/8" X 8" X 8" UNC Zp	As Req				
11	030130101	Nut 3/8" UNC Nyloc	As Req				
12	035110251	Flat Washer 3/8" ID	As Req				
13	094103000	Pop Rivet 1/8" Steel	As Req				





P/N Distribution System

5 Way x 1-3/4" Configuration

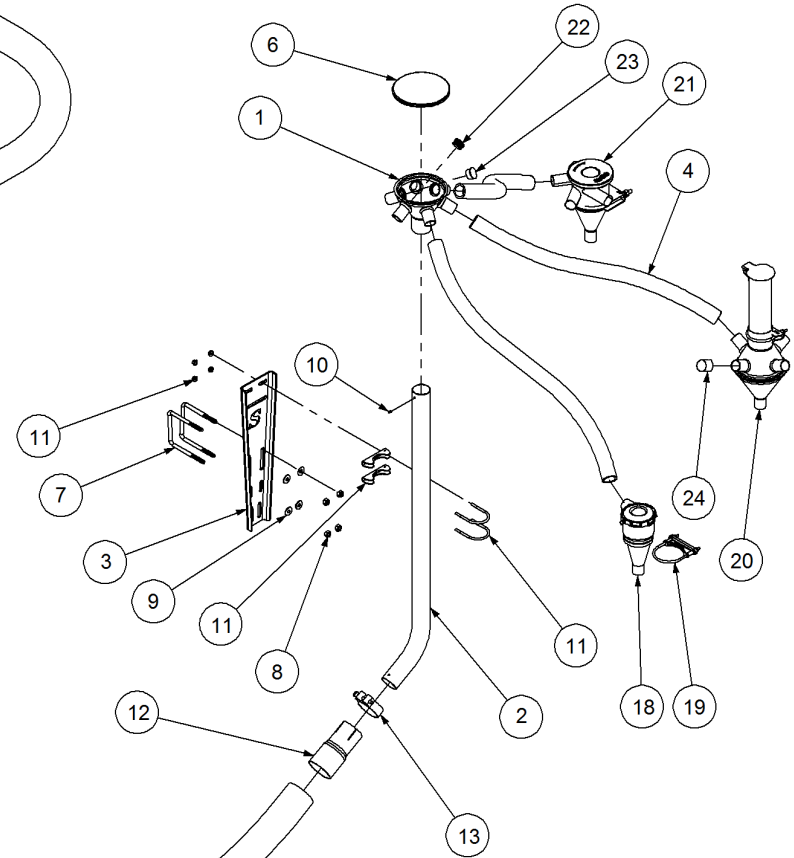
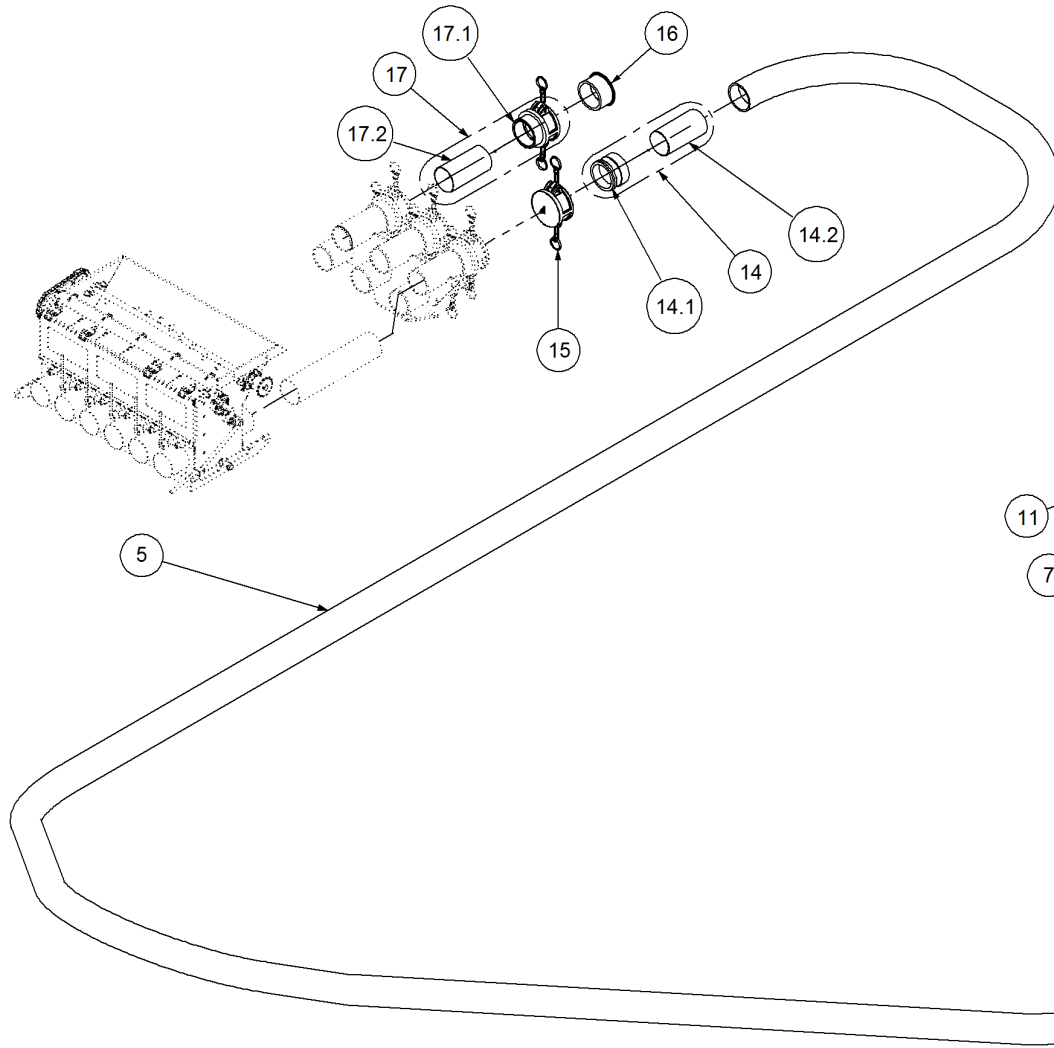
Key	Part Number	Description	Qty
1	285544001	Primary Divider WA - 5 way / 1 3/4" Outlet (PD-5)	As Req
2	287000001	Primary Divider Mount WA (Suit 2 1/2" - 4" Bar)	As Req
2	287000025	Primary Divider Mount WA (Suit 5" - 6" Bar)	As Req
2	287000021	Primary Divider Mount WA (Suit 6" - 8" Bar)	As Req
3	286044401	Secondary Head 44.5mm 4 Way x 1 3/4"	As Req
3	286054401	Secondary Head 44.5mm 5 Way x 1 3/4"	As Req
3	286064401	Secondary Head 44.5mm 6 Way x 1 3/4"	As Req
3	286074401	Secondary Head 44.5mm 7 Way x 1 3/4"	As Req
3	286084401	Secondary Head 44.5mm 8 Way x 1 3/4"	As Req
3	286094401	Secondary Head 44.5mm 9 Way x 1 3/4"	As Req
3	286104401	Secondary Head 44.5mm 10 Way x 1 3/4"	As Req
4	288504451	Secondary Head Stand Tube 45mm Zp (1 3/4")	As Req
5	288404002	Universal Secondary Head Mount	As Req
6	109500045	Hose Nylaflex 44mm Grey Seeder	As Req
7	109500032	Hose Smooth Bore 31.58mm	As Req
8	109500076	Hose Nylaflex 76mm Grey Seeder	As Req
9	197060052	Rubber Head Cap 150mm ID	As Req
10	020050050	U Bolt 3/8" X 2" X 2" UNC Zp	As Req
10	020089089	U Bolt 3/8" X 3 1/2" X 3 1/2" UNC Zp	As Req
10	020075075	U Bolt 3/8" X 3" X 3" UNC Zp	As Req
10	020100050	U Bolt 3/8" X 4" X 2" UNC Zp	As Req
10	020100090	U Bolt 3/8" X 4" X 3 1/2" UNC Zp	As Req
10	020100100	U Bolt 3/8" X 4" X 4" UNC Zp	As Req
10	020100150	U Bolt 3/8" X 4" X 6" UNC Zp	As Req
10	020127127	U Bolt 3/8" x 5" x 5" UNC ZP	As Req
10	020150100	U Bolt 3/8" X 6" X 4" UNC Zp	As Req
10	020150150	U Bolt 3/8" X 6" X 6" UNC Zp	As Req
10	020178178	U Bolt 3/8" X 7" X 7" UNC Zp	As Req
10	020200200	U Bolt 3/8" X 8" X 8" UNC Zp	As Req
11	030130101	Nut 3/8" UNC Nyloc	As Req
12	035110251	Flat Washer 3/8" ID	As Req
13	094103000	Pop Rivet 1/8" Steel	As Req

Key	Part Number	Description	Qty
14	103100045	Clamp Exhaust 1-3/4" Dia	
15	280000276	Camlock 3" Male With Tail	As Req
15.1	108000276	Coupling - 3" Male	As Req
15.2	280000177	Camlock ERW Tail 3"	As Req
16	108000076	Cap - 3" Male	As Req
17	108000075	Plug - 3" Female	As Req
18	280000176	Camlock 3" Female With Tail	As Req
18.1	108000176	Coupling - 3" Female	As Req
18.2	280000177	Camlock ERW Tail 3"	As Req
19	195002001	Diffuser D-Cup	As Req
20	195002006	Diffuser D-Cup Clamp Kit	As Req
21	289432001	Cyclone Assy 1-1/4" Outlet	As Req
22	289432007	Diffuser 4 Inlet Assembly	As Req
23	SD-EP18S	Blank Off Plug Suit S/S Head	As Req
24	SD-EP18	Blank Off Plug Suit Aluminium Head	As Req
25	197060317	Blank Off Plug 31.5mm For Cyclone	As Req

5 way used in limited applications

P/N Distribution System

Direct Feed Distribution System (3" Hose)





P/N Distribution System

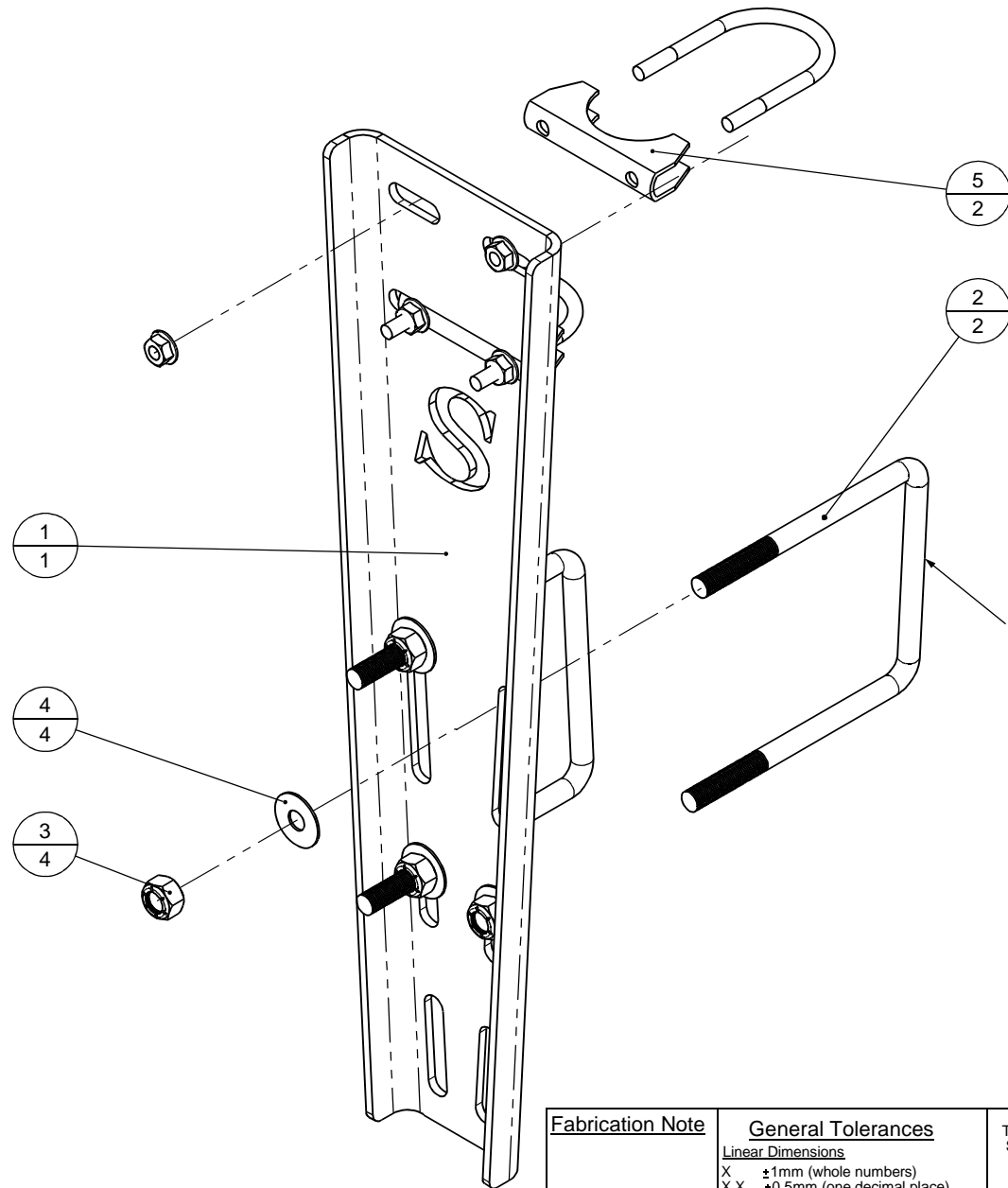
Key	Part Number	Description	Qty
1	286066301	Secondary Head 63.5mm 6 Way x 2 1/2"	As Req
1	286076301	Secondary Head 63.5mm 7 Way x 2 1/2"	As Req
1	286086301	Secondary Head 63.5mm 8 Way x 2 1/2"	As Req
1	286096301	Secondary Head 63.5mm 9 Way x 2 1/2"	As Req
1	286106301	Secondary Head 63.5mm 10 Way x 2 1/2"	As Req
2	288504631	Secondary Head Stand Tube 63mm Zp (2 1/2")	As Req
3	288404002	Universal Secondary Head Mount	As Req
4	109500032	Hose Smooth Bore 31.58mm	As Req
5	109500076	Hose Nylaflex 76mm Grey Seeder	As Req
6	197060052	Rubber Head Cap 150mm ID	As Req
7	020050050	U Bolt 3/8" X 2" X 2" UNC Zp	As Req
7	020089089	U Bolt 3/8" X 3 1/2" X 3 1/2" UNC Zp	As Req
7	020075075	U Bolt 3/8" X 3" X 3" UNC Zp	As Req
7	020100050	U Bolt 3/8" X 4" X 2" UNC Zp	As Req
7	020100090	U Bolt 3/8" X 4" X 3 1/2" UNC Zp	As Req
7	020100100	U Bolt 3/8" X 4" X 4" UNC Zp	As Req
7	020100150	U Bolt 3/8" X 4" X 6" UNC Zp	As Req
7	020127127	U Bolt 3/8" x 5" x 5" UNC ZP	As Req
7	020150100	U Bolt 3/8" X 6" X 4" UNC Zp	As Req
7	020150150	U Bolt 3/8" X 6" X 6" UNC Zp	As Req
7	020178178	U Bolt 3/8" X 7" X 7" UNC Zp	As Req
7	020200200	U Bolt 3/8" X 8" X 8" UNC Zp	As Req
8	030130101	Nut 3/8" UNC Nyloc	As Req
9	035110251	Flat Washer 3/8" ID	As Req
10	094103000	Pop Rivet 1/8" Steel	As Req
11	103110063	Clamp Exhaust Round 2 1/2" Black	As Req
12	208000050	Reducer 2 1/2" ID x 3" OD	As Req
13	100064067	Hose Clamp - Mikalor 64 - 67	As Req
14	280000276	Camlock 3" Male With Tail	As Req
14.1	108000276	Coupling - 3" Male	As Req
14.2	280000177	Camlock ERW Tail 3"	As Req
15	108000076	Cap - 3" Male	As Req

Direct Feed Distribution System (3" Hose)

Key	Part Number	Description	Qty
16	108000075	Plug - 3" Female	As Req
17	280000176	Camlock 3" Female With Tail	As Req
17.1	108000176	Coupling - 3" Female	As Req
17.2	280000177	Camlock ERW Tail 3"	As Req
18	195002001	Diffuser D-Cup	As Req
19	195002006	Diffuser D-Cup Clamp Kit	As Req
20	289432001	Cyclone Assy 1-1/4" Outlet	As Req
21	289432007	Diffuser 4 Inlet Assembly	As Req
22	SD-EP18S	Blank Off Plug Suit S/S Head	As Req
23	SD-EP18	Blank Off Plug Suit Aluminium Head	As Req
24	197060317	Blank Off Plug 31.5mm For Cyclone	As Req
	286096303	Secondary Head 63.5 x 9 way - 200mm Top	
	286106302	Secondary Head 63.5 x 10 way - 200mm Top	
	286116302	Secondary Head 63.5 x 11 way - 200mm Top	
	286126302	Secondary Head 63.5 x 12 way - 200mm Top	
	286136302	Secondary Head 63.5 x 13 way - 200mm Top	
	All 200mm heads require a different cap		
	197060054	Rubber Head Cap - 200mm	

1	2	3	4	5	6	7	8	9	10	11	12
REV.	ECN	DATE	BY	DESCRIPTION							
01		17/05/2007	WA	Original Drawing Release - BOM Refreshed							

DO NOT SCALE - IF IN DOUBT ASK



LOCATION OF U-BOLTS
DEPENDENT ON THE BAR USED.

Suits 1 3/4" Stand Tube & 4" x 4" Bar

5	103100045	Clamp Exhaust Round 1 3/4" ZP	2
4	035108161	Flat Washer 3/8"ID X 1/2"OD X 1mm ZP	4
3	030130101	Nut Nyloc 3/8" UNC ZP	4
2	020100100	U BOLT 3/8" X 4" X 4" ZP	2
1	288404002	Universal secondary head mount	1
ITEM	PART NUMBER	DESCRIPTION	QTY.

Fabrication Note

Finish:

General Tolerances

Linear Dimensions
 X ±1mm (whole numbers)
 X.X ±0.5mm (one decimal place)
 X.XX ±0.25mm (two decimal places)
Angular Dimensions
 All Angles ±2°

This drawing is the property of
 Simplicity (Australia) Pty. Ltd.
 It must not be used for any
 purpose other than that for
 which it is supplied.
 Reproduction in whole or
 part is prohibited without
 written authority from
 Simplicity (Australia) Pty. Ltd.

DRN: Warren Alderton
DATE: 17/05/2007
APPR: / /
DATE: / /
SCALE: 1:3

SIMPLICITY (AUSTRALIA) PTY LTD
 18 LOUDOUN RD DALBY 4405 PH (07) 4662 2977 FAX (07) 4662 4955

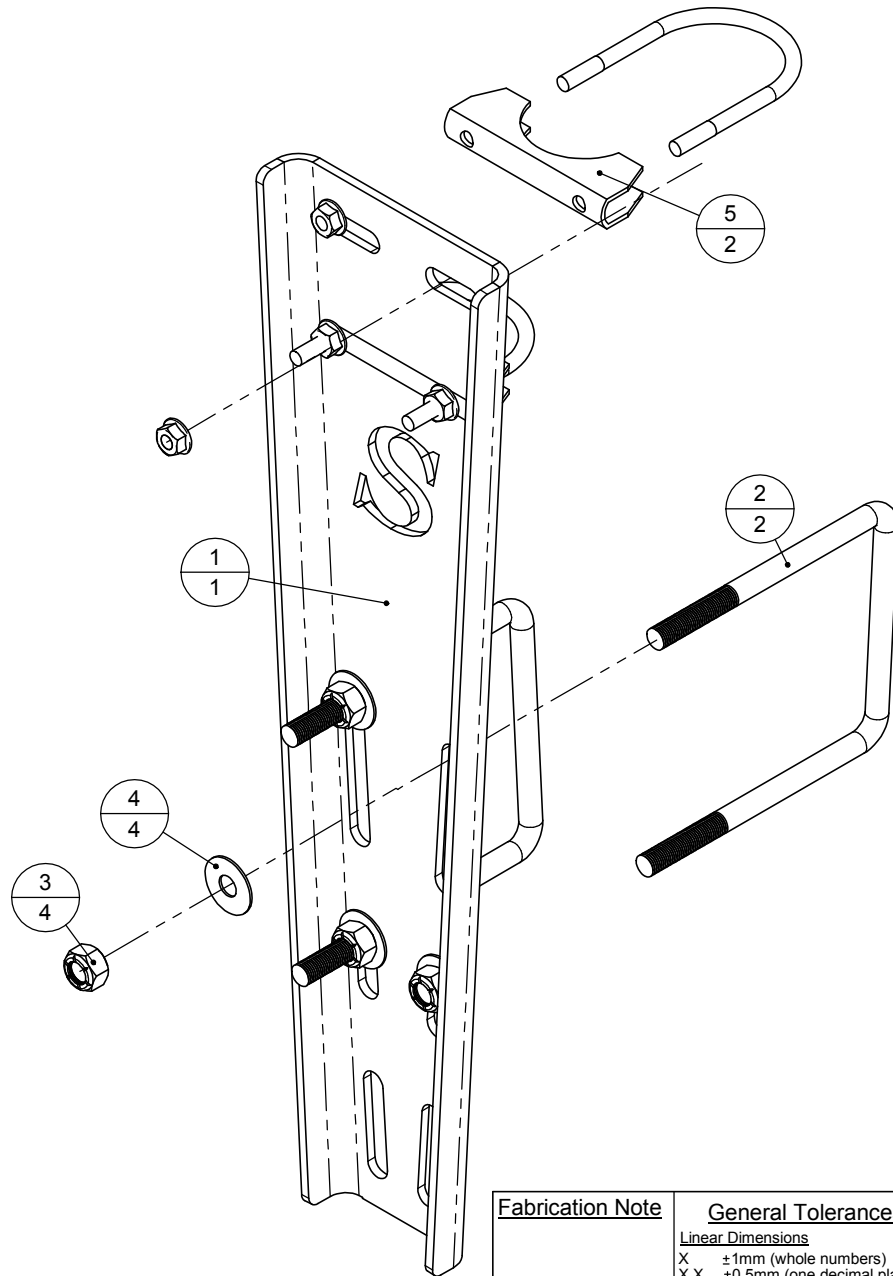
**Simplicity Cultivators
 Head mounts
 Universal Secondary Head mount (1 3/4")**

DRAWING NUMBER **288404000**

REV 01 SHEET 1 OF 1 **A4**

1	2	3	4	5
REV.	ECN	DATE	BY	DESCRIPTION
01		17/05/2007	WA	Original drawing release

DO NOT SCALE - IF IN DOUBT ASK



LOCATION OF U-BOLTS
DEPENDENT ON THE BAR USED.

Suits 2" Stand Pipe & 4" x 4" Bar

5	103100050	Clamp Exhaust Round 2" ZP	2
4	035108161	Flat Washer 3/8"ID X 1/2"OD X 1mm ZP	4
3	030130101	Nut Nyloc 3/8" UNC ZP	4
2	020100100	U BOLT 3/8" X 4" X 4" ZP	2
1	288404002	Universal secondary head mount	1
ITEM	PART NUMBER	DESCRIPTION	QTY.

Fabrication Note

Finish:

General Tolerances

Linear Dimensions

X ±1mm (whole numbers)
 X.X ±0.5mm (one decimal place)
 X.XX ±0.25mm (two decimal places)

Angular Dimensions

All Angles ±2°

This drawing is the property of
 Simplicity (Australia) Pty. Ltd.
 It must not be used for any
 purpose other than that for
 which it is supplied.
 Reproduction in whole or
 part is prohibited without
 written authority from
 Simplicity (Australia) Pty. Ltd.

DRN: Warren Alderton
 DATE: 17/05/2007
 APPRD:
 DATE: / /
 SCALE: 1:3

SIMPLICITY (AUSTRALIA) PTY LTD
 18 LOUDOUN RD DALBY 4405 PH (07) 4662 2977 FAX (07) 4662 4955

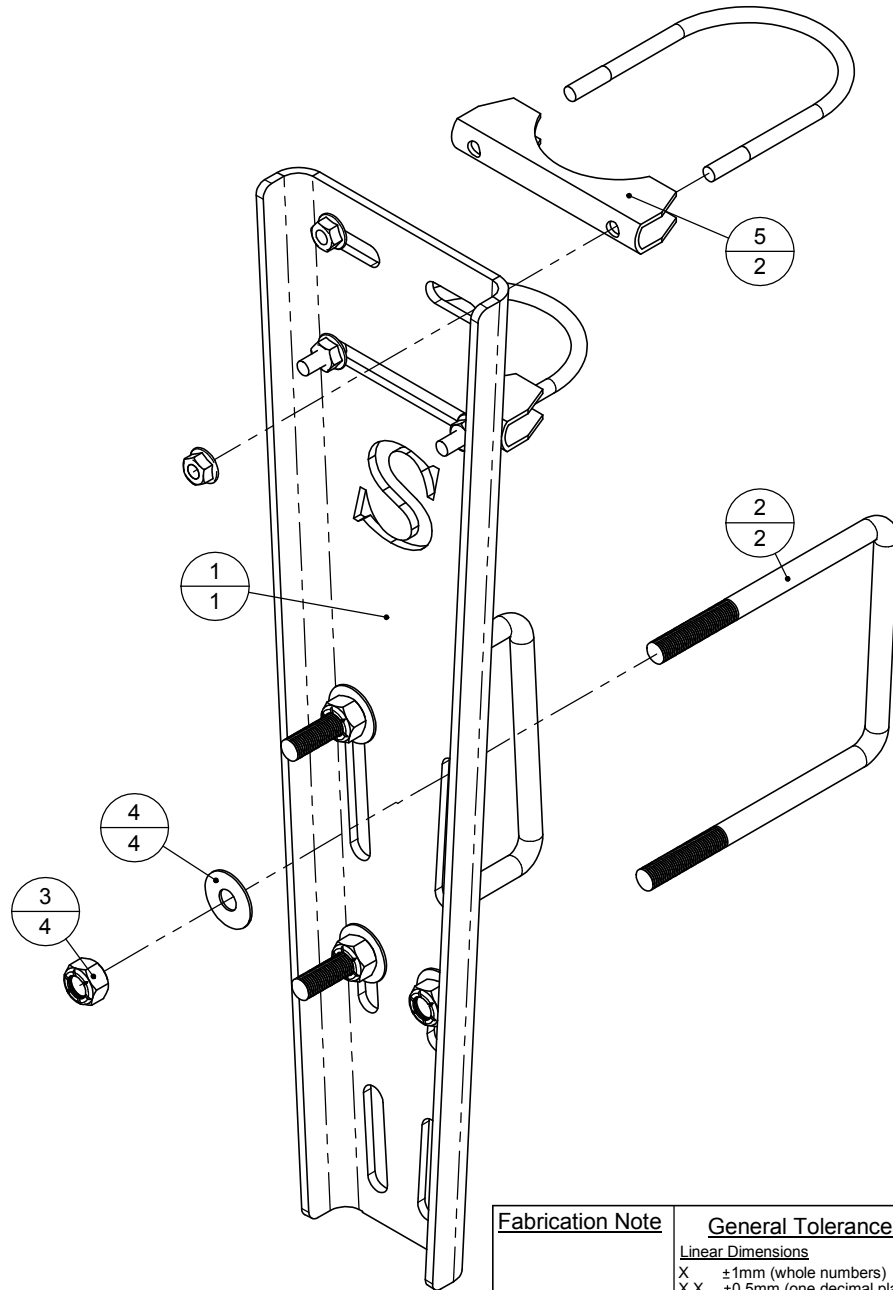
Simplicity Cultivators
Head mounts
Universal Secondary Head mount (2")

DRAWING NUMBER **288404001**

REV 01 SHEET 1 OF 1 **A4**

1	2	3	4	5	6	7	8	9	10	11	12
REV.	ECN	DATE	BY	DESCRIPTION							
01		17/05/2007	WA	Original drawing release							

DO NOT SCALE - IF IN DOUBT ASK



LOCATION OF U-BOLTS
DEPENDENT ON THE BAR USED.

Suits 2 1/2" Stand Tube & 4" x 4" Bar

5	103110067	2 - 5/8" Exhaust Clamp ZP	2
4	035108161	Flat Washer 3/8"ID X 1/2"OD X 1mm ZP	4
3	030130101	Nut Nyloc 3/8" UNC ZP	4
2	020100100	U BOLT 3/8" X 4" X 4" ZP	2
1	288404002	Universal secondary head mount	1
ITEM	PART NUMBER	DESCRIPTION	QTY.

Fabrication Note

Finish:

General Tolerances

Linear Dimensions

X ±1mm (whole numbers)
 X.X ±0.5mm (one decimal place)
 X.XX ±0.25mm (two decimal places)

Angular Dimensions

All Angles ±2°

This drawing is the property of
 Simplicity (Australia) Pty. Ltd.
 It must not be used for any
 purpose other than that for
 which it is supplied.
 Reproduction in whole or
 part is prohibited without
 written authority from
 Simplicity (Australia) Pty. Ltd.

DRN: Warren Alderton
 DATE: 17/05/2007
 APPRD: / /
 DATE: / /
 SCALE: 1:3

SIMPLICITY (AUSTRALIA) PTY LTD
 18 LOUDOUN RD DALBY 4405 PH (07) 4662 2977 FAX (07) 4662 4955

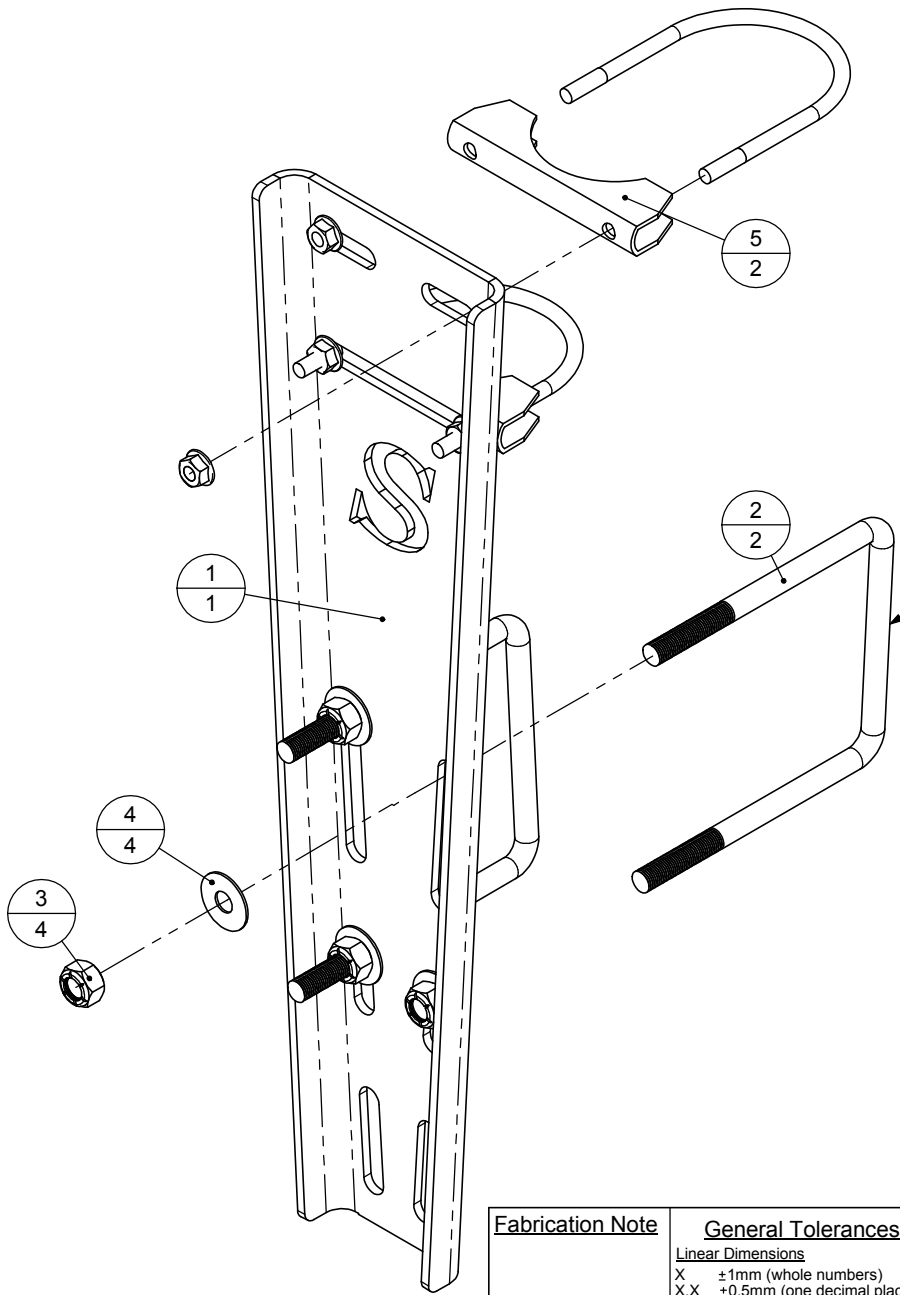
Simplicity Cultivators
Head mounts
Universal Secondary Head mount (2 1/2")

DRAWING NUMBER **288404003**

REV 01 SHEET 1 OF 1 **A4**

1	2	3	4	5	6	7	8	9	10	11	12
REV.	ECN	DATE	BY	DESCRIPTION							
01		17/05/2007	WA	Original drawing release							

DO NOT SCALE - IF IN DOUBT ASK



LOCATION OF U-BOLTS
DEPENDENT ON THE BAR USED.

Suits 1 3/4" Stand Tube & 7" x 7" Bar

5	103100045	Clamp 1 3/4"	2
4	035108161	Flat Washer 3/8"ID X 1/2"OD X 1mm ZP	4
3	030130101	Nut Nyloc 3/8" UNC ZP	4
2	020178178	U BOLT 3/8" X 7" X 7" ZP	2
1	288404002	Universal secondary head mount	1
ITEM	PART NUMBER	DESCRIPTION	QTY.

Fabrication Note

Finish:

General Tolerances

Linear Dimensions

X ±1mm (whole numbers)
 X.X ±0.5mm (one decimal place)
 X.XX ±0.25mm (two decimal places)

Angular Dimensions

All Angles ±2°

This drawing is the property of
 Simplicity (Australia) Pty. Ltd.
 It must not be used for any
 purpose other than that for
 which it is supplied.
 Reproduction in whole or
 part is prohibited without
 written authority from
 Simplicity (Australia) Pty. Ltd.

DRN: Warren Alderton
 DATE: 17/05/2007
 APPRD:
 DATE: / /
 SCALE: 1:3

SIMPLICITY (AUSTRALIA) PTY LTD
 18 LOUDOUN RD DALBY 4405 PH (07) 4662 2977 FAX (07) 4662 4955

Simplicity Cultivators
Head mounts
Universal Secondary Head mount (7" x 7" x 1 3/4")

DRAWING NUMBER **288707000**

REV **01** SHEET **1 OF 1** **A4**