



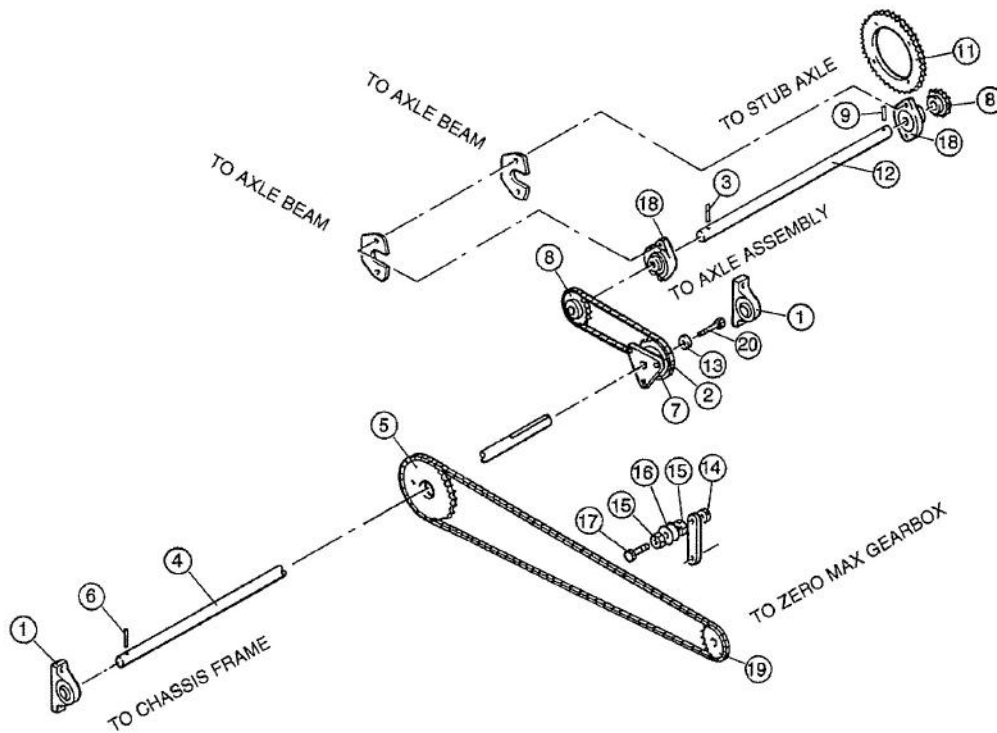
Simplicity
A U S T R A L I A

Pre 1998 Models

**Port Plate
Metering Units**

Models: 1300, 1650, 2000, 2660,
3300, 4000, 4310, 5700,
8200 & 12000

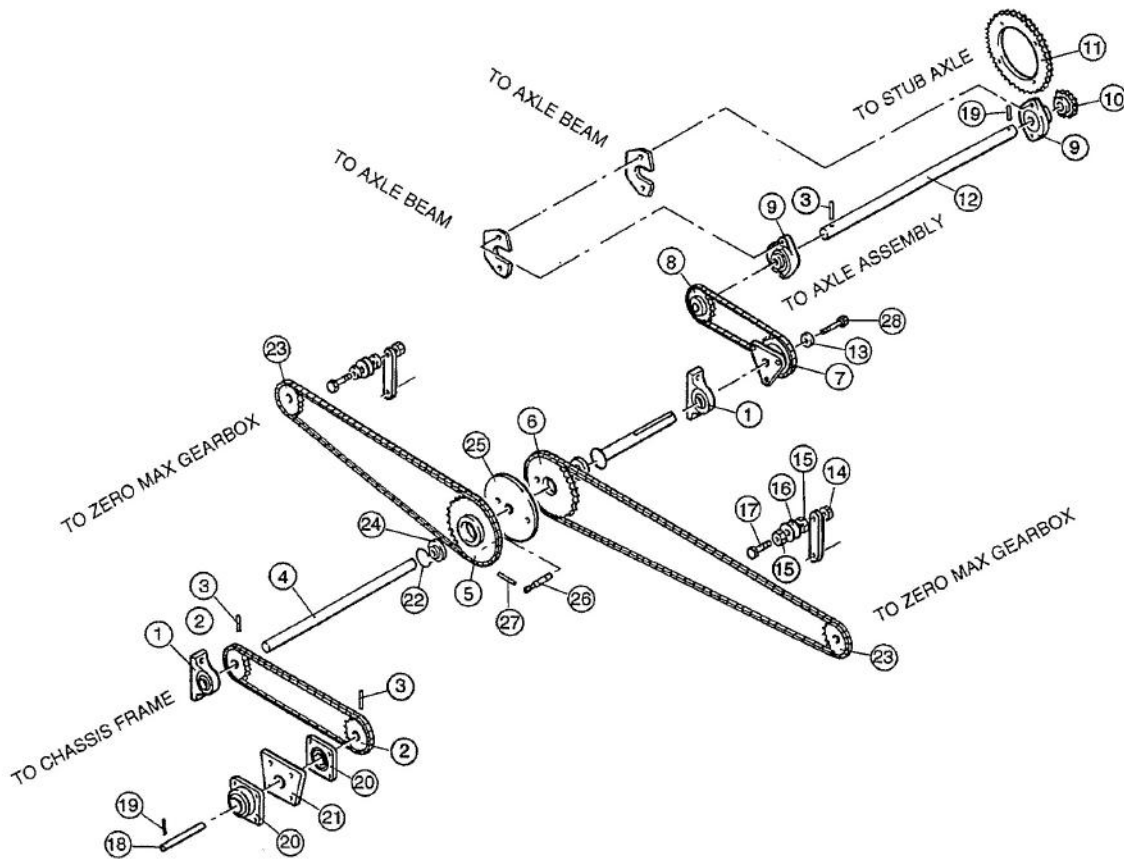
Single Bin Drive Pre 1998 Models



Item	Part #	Description	Qty
1	136420500	Bearing Housing P205	2
1B	13520525	Bearing UEL205 1"	2
2	290052156	Sprocket 18T x 5/8" Pitch Clutch	1
3	090105050	Roll Pin 2" x 3/16"	2
4		Metering Unit Drive Shaft 1" Cut to Length	1
5	TS-0850SP	Sprocket 50T x 1/2" Pitch	1
6	090106025	Roll Pin 1" x 1/4"	1
7	115005314	Electro Magnetic Clutch Assy	1
8	127180151	Sprocket 18T x 5/8" Pitch	1
9	090106050	Roll Pin 2" x 1/4"	1
11	See Notes	Sprocket Plate Wheel 54T x 5/8" Pitch	1
12		Drive Shaft 1" Cut to Length	1
13	035106151	Flat Washer 5/16"	1
14	030130101	Nyloc Nut 3/8" UNC	2
15	035110251	Flat Washer 3/8"	2
16	290000004	Tensioner Roller	1
17	000100505	Bolt 2" x 3/8" UNC	1
18	136420501	Bearing Housing FL205	2
18B	135420516	Bearing UC20516S 1"	2
19	208400	Sprocket 11T 1/2" "D" Bore	1
20	000080195	Bolt 3/4" x 5/16" L UNC	3

- 11** Depending on model of machine, there can be a number of variations to the bore size of this plate wheel
 Part # 249150542 has 140mm ID bore
 Part # 249150543 has 165mm ID bore
 Part # 249150544 has 175mm ID bore
 Part # 249150545 has 190mm ID bore

Double Bin Drive Pre 1998 Models



Item #	Part #	Description	Item #	Part #	Description
1	136420500	Bearing Housing P205	15	035110191	Flat Washer 3/8"
1B	135520525	Bearing UEL205 1"	16	290000004	Tensioner Roller (Cotton Spool)
2	208400162	Sprocket 21T x 1" Bore	16B	290000038	Molded Tensioner
3	090105050	Roll Pin 2" x 3/16"	16C	126131100	Sprocket Tensioner 11T x 5/8" B
4		1" Shaft Cut to Length	17	000100505	Bolt 2" x 3/8" UNC
5	TS-0850DS	Sprocket 50T x 1/2" Pitch	18		Shaft Cut to Length 1"
6	TS-0850DS	Sprocket 50T x 1/2" Pitch	19	090106050	Roll Pin 1" x 1/4"
7	115005314	Electro Magnetic Clutch	20	136620500	Bearing Housing F205J
8	127180151	Sprocket 18T x 5/8" Pitch	20B	135520525	Bearing 20516S x 1"
9	136420501	Bearing Housing FL205	21		Mount Plate For Crank Bearing
9B	135420516	Bearing UC20516S 1"	22		Circlip
10	127180151	Sprocket 18T x 5/8" Pitch	23	208400	Sprocket 11T "D" Bore 1/2" Dia.
11	See Note	54T Plate Wheel 5/8" Pitch	24	BR-ENR20516S	Bearing ENR20516S 1"
12		1" Shaft Cut to Length	25	TS-0850DS-C	Drive Plate Hub
13	035108161	Flat Washer 5/16"	26	279000015	Pin
14	030130101	Nyloc Nut 3/8" UNC	27	124181357	Spring

24B

134000020

Bearing R20ZZCe 2.25 x 1.25

11 Note:

Depending on model of machine, there can be a number of variations to the bore size of this plate wheel

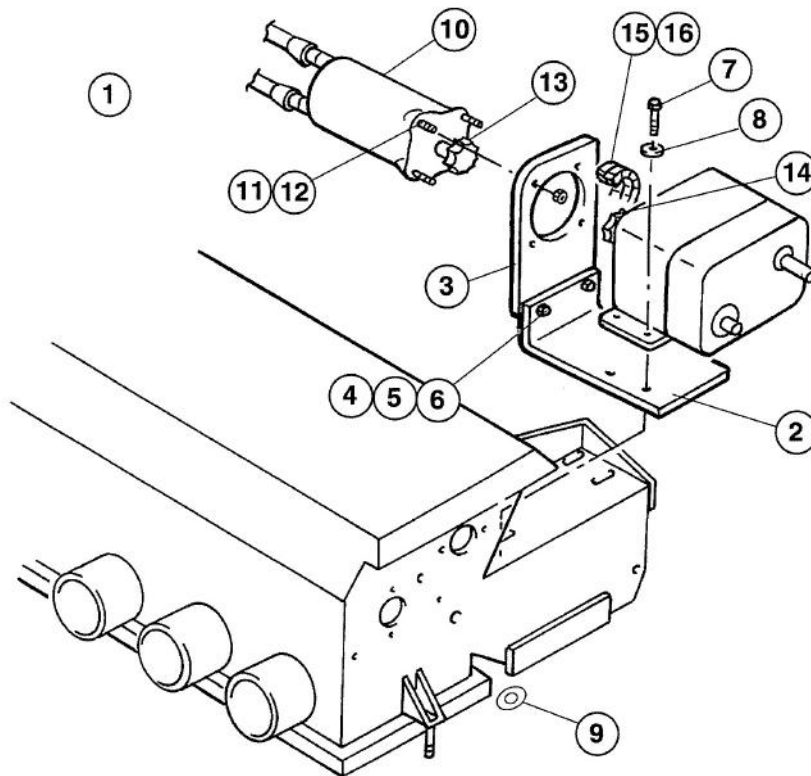
Part # 249150542 has 140mm ID bore

Part # 249150543 has 165mm ID bore

Part # 249150544 has 175mm ID bore

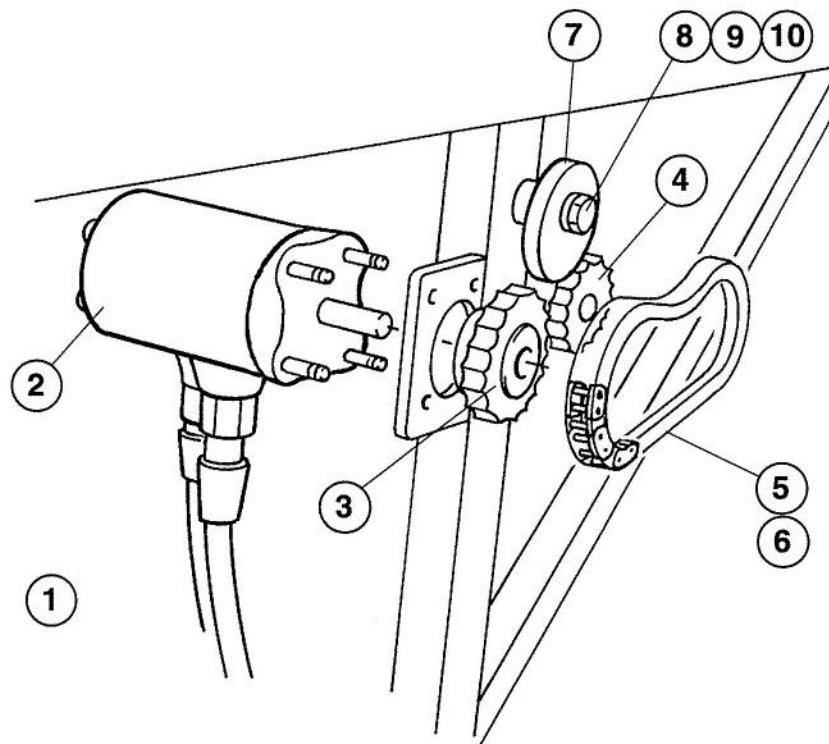
Part # 249150545 has 190mm ID bore

Hydraulic Drive Single Bin – Pre 1998 Models

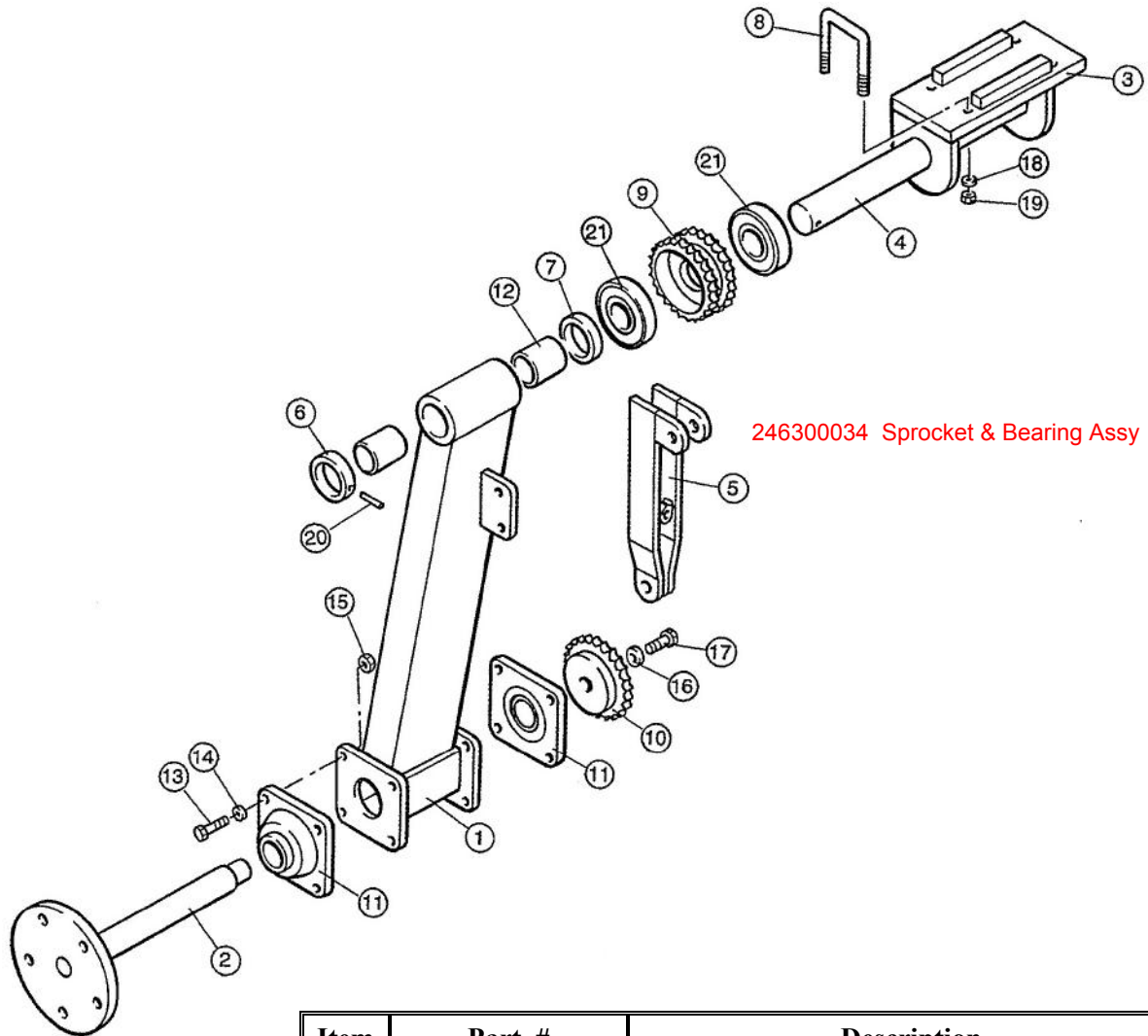


Item #	Part #	Description
1	208403000	3 Way Metering Unit Assy (As Shown)
1B	208404000	4 Way Metering Unit Assy
2		Mount Plate
3	MU-HYD-008	Motor Mount Plate
4	000100255	Bolt Hex Head 1" x 3/8"
5	030130101	Nyloc Nut 3/8" UNC
6	035110191	Flat washer 3/8"
7	000130325	Bolt Hex Head 1 1/4" x 3/8" UNC
8	035110191	Flat washer 3/8"
9	030130101	Nyloc Nut 3/8" UNC
10	129-0032	Hydraulic Motor 32cc
10B	MU-HY-009	Hydraulic Motor (129-004)
11	00060255	Bolt Hex Head 1" x 1/4" UNC
12	036106000	Spring Washer 1/4"
13	290000032	Sprocket 14T x 5/8" Bore
14	290000033	Sprocket 14T x 1/2" Bore
15	125412120	Chain Duplex 13L plus Con 08B Duplex
16	125212120	Con Link 08B Duplex

Hydraulic Drive Option – Double Bin Metering Drive Assembly – Pre 1998 Models



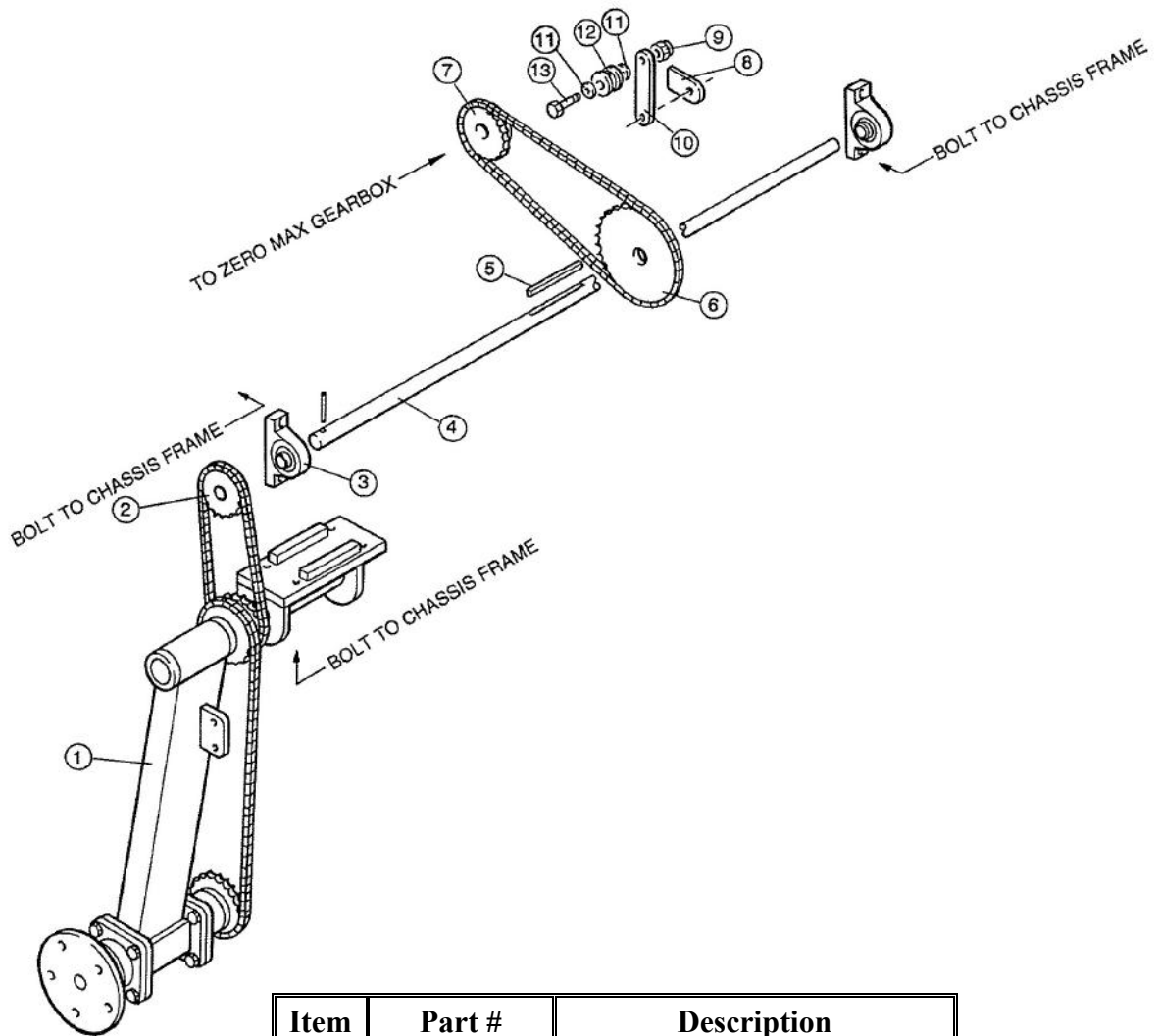
Item	Part #	Description
1		Hydraulic Driver – Double Bin Complete
2		Hydraulic Motor 80cc (OMP 80)
3	127150150	Sprocket 18T x 1/2" Pitch
4	127180151	Sprocket 18T x 1/2" Pitch
5	125116210	Chain
6	125215110	Con Link
7	290000045	Chain Tensioner
8	000100255	Hex Bolt 3/8" x 1"
9	035110251	Hex Washer 3/8"
10	036110000	Spring Washer 3/8"



246300034 Sprocket & Bearing Assy

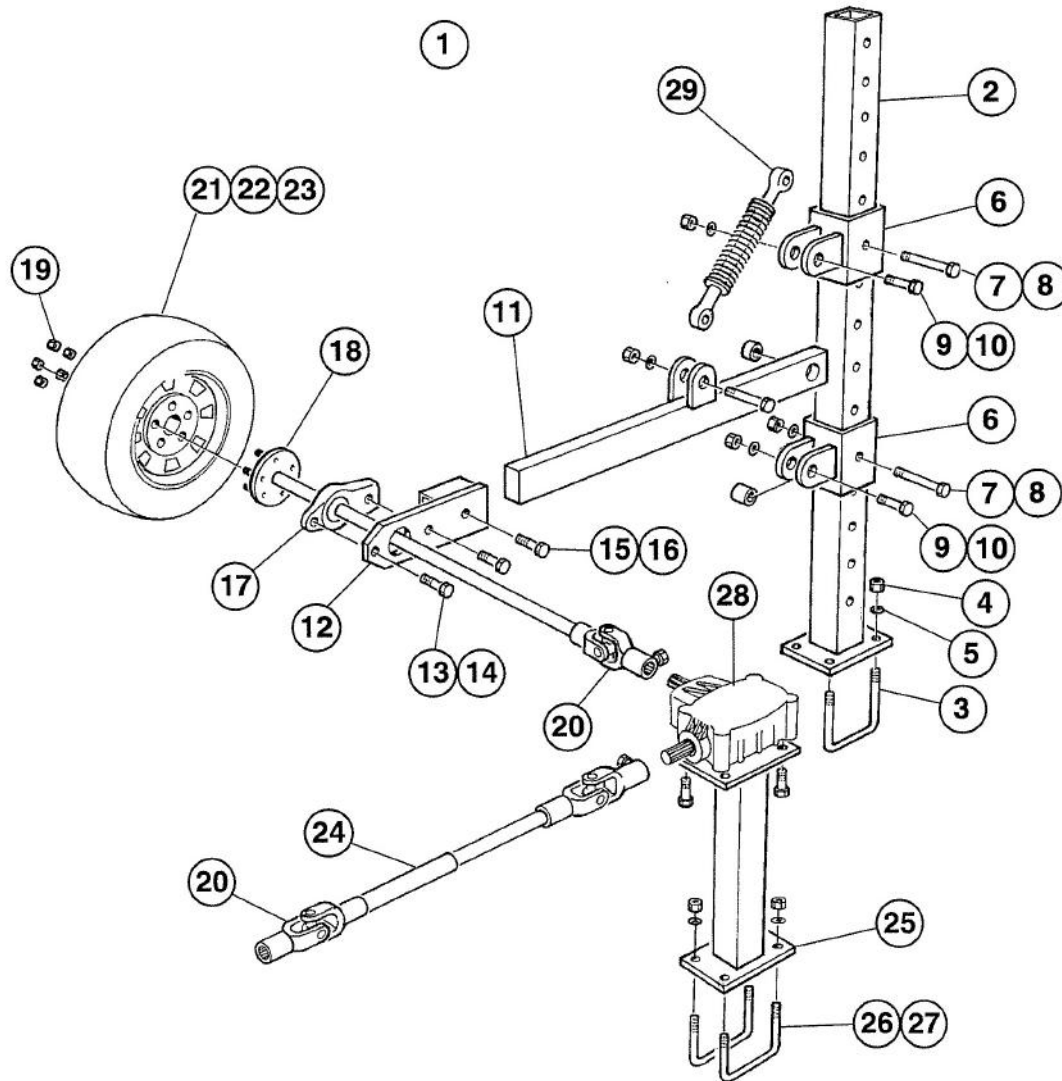
Item	Part #	Description
1	DW-501	Drop Wheel Pivot Arm
1	246300020	Axle
3	DW-503	Drop Wheel Pivot Bracket
4		Drop Wheel Pivot Shaft
5		Adjustment Arm, Hydraulic Mount
6		Collar L/H
7		Collar R/H
8	021075075	U-Bolt, 1/2" x 3" x 3"
9	127150251	Dual Sprocket 5/8"Px25Tx41 Wide
10	246300038	Single Sprocket 5/8"P x 25T 1" Bore
11	135030005	Bearing, Square Flange
12	137124032	Bearing Teflon
13	000100325	3/8" UNC Bolt 1 1/4"
14	035110251	3/8" Flat Washer
15	030110101	3/8"UNC Hex Nut
16	035101238	Mudguard Washer
17	000100255	3/8" UNC Bolt 1"
18	035113250	1/2" Flat Washer
19	030110131	1/2" UNC Hex Nut
20	090106025	Roll Pin 1/4" x 1" ZP
21	BR-RLS12-2RS	Bearing, 1 1/2" ID x 3 1/4" W

Drop Wheel Metering Drive Assembly – Pre 1998 Models



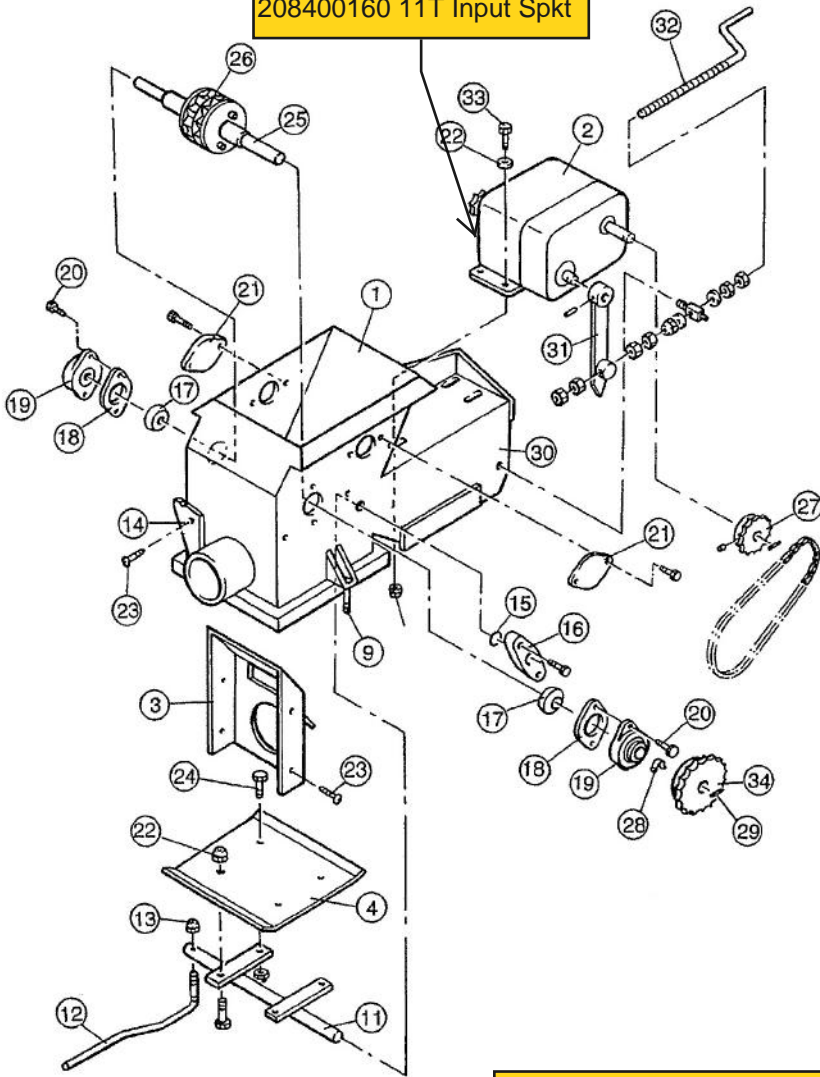
Item	Part #	Description
1		Drop Wheel Assembly
2	127150252	Sprocket 25T x 5/8" P
3	135220516	1" Bearing EW20516S
4		Drive Shaft 1" Cut to Length
5	184006356	Key Steel 1/4" x 80mm Long
6	TS-0850SP	Sprocket 50T x 1/2" Pitch
7	208400	Sprocket 11T x 1/2" Pitch
9	030130101	3/8" UNC Nyloc Nut
10		Chain Tensioner Arm
10b	290000165P	Chain Tensioner Arm Small
10c	290000061	Tensioner Arm WA 155mm
10d	290000069	Chain Tensioner Arm Large
11	035110251	Flat Washer 3/8" x 3/4"
12	290000004	Chain Tensioner Idler
13	000100505	3/8" UNC Bolt x 2"

Wheel On Wheel Metering Drive Assembly – Pre 1998 Models

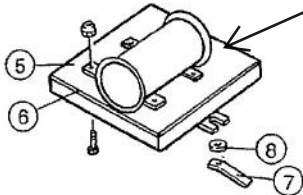


Item	Part #	Description	Item	Part #	Description
1	246302000	Wheel On Wheel Drive Assy	16	030130101	Nyloc Nut 3/8" UNC
2	246302001	Mount Stand	17	135520525	Bearing (136420501 Housing)
3	021100100	U-Bolt 4" x 4" x 1/2"	18	246302021	Drive Axle
4	030130131	Nyloc Nut 1/2" UNC	19	032160111	Wheel Nut
5	035113250	Flat Washer 1/2"	20	132025320	Universal Joint
6	246302011	Adjustment Slide	21	195050010	Wheel Asst
7	000100805	Hex Bolt 3/8" x 3 1/4" UNC	24b	246302031	Inner Shaft
8	030130101	Nyloc Nut 3/8" UNC	24c	246302025	Outer Shaft
9	000100575	Hex Bolt 3/8" x 2 1/4" UNC	25	246302015	
10	030130101	Nyloc Nut 3/8" UNC	26	021100100	U-Bolt 4" x 4" x 1/2"
11	246302005	Pivot Arm	27	030130131	Nyloc Nut 1/2" UNC
12	WW-1017	Bearing Mount	28	130010003	Gearbox 1:1 ratio
13	000130385	Hex Bolt 1 1/2" x 1/2"	29	145020230	Shock Absorber
14	030130131	Nyloc Nut 1/2" UNC			
15	000100505	Hex Bolt 3/8" x 2"			

208400160 11T Input Spkt



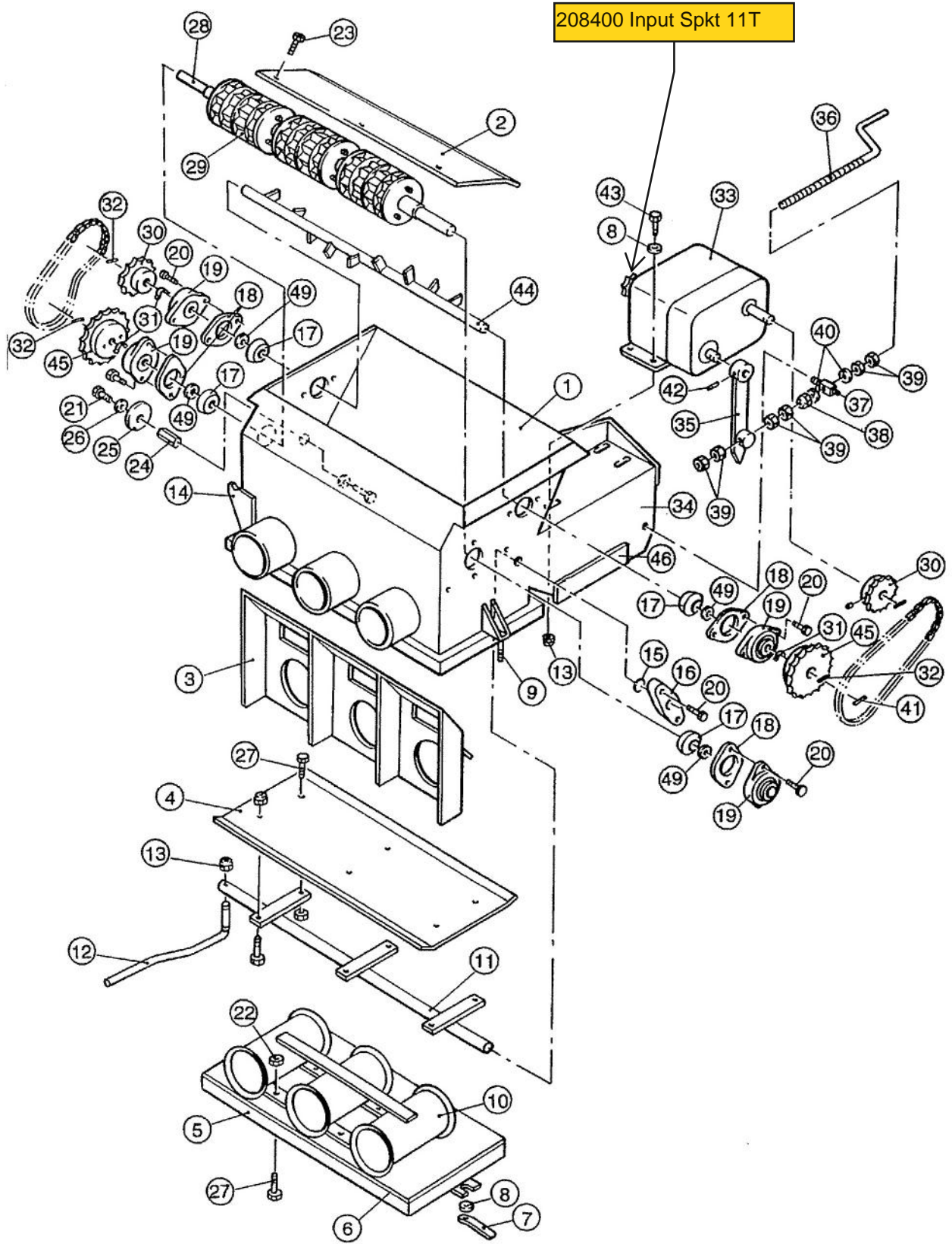
208100028 Flow Through Tube



Item	Part #	Description
1	208102000	Metering Unit Assy :Under"
1b	208101000	Metering Unit Assy "Over"
2	130000020	Zero Max E2
3	208100020	Port Plate Assy 1 Port
4	208100047	Trap Door SSB
5	208100026	Bottom Door Assy SSB
6	197472310	Bottom Door Rubber Gasket
7	208100060	Bottom Door Wing Nut
8	035110251	Washer 3/8" x 3/4"
9	208100061	Bottom Door Bolt
10	208100063	Metering Unit-Tube Assy 1 Way
11	208100055	Trap Door Shaft Assy SSB
12	208100051	Trap Door Handle Assy
13	030130101	Nyloc Nut 3/8"
14	208200027	Trap Door Lock Latch
15	197192535	Trap Door Bearing "O" Ring

Item	Part #	Description
16	137308846	Trap Door Bearing
17	197161687	Shaft Seal
18	197001626	Bearing Gasket
19	135320210	Bearing UB20210S
20	010208020	Cap Screw 5/16" x 3/4"
21		Not Used
22	030130061	Nyloc Nut 1/4"
23	010106012	Cap Screw 1/4" x 1/2"
24	010106019	Cap Screw 1/4" x 3/4"
25	208100100	Metering Spool Shaft SSB
26	208100092	Metering Spool Assy 2 Way
27	208400167	14T Spkt 3/8" Bore
28	193003765	Sprocket Retainer Clip
29	208400098	Drive Pin for Sprocket
30	208102002	Shell WA "Under"
30b	208101002	Shell WA "Over"
31	208100111	Pointer Assy
32	209600001	Adjusting Screw Shaft
33	010106025	Cap Screw 1/4" x 1"
34	208400161	Sprocket 21T x 1/2" P

3 Way Metering Unit – Pre 1998 Models

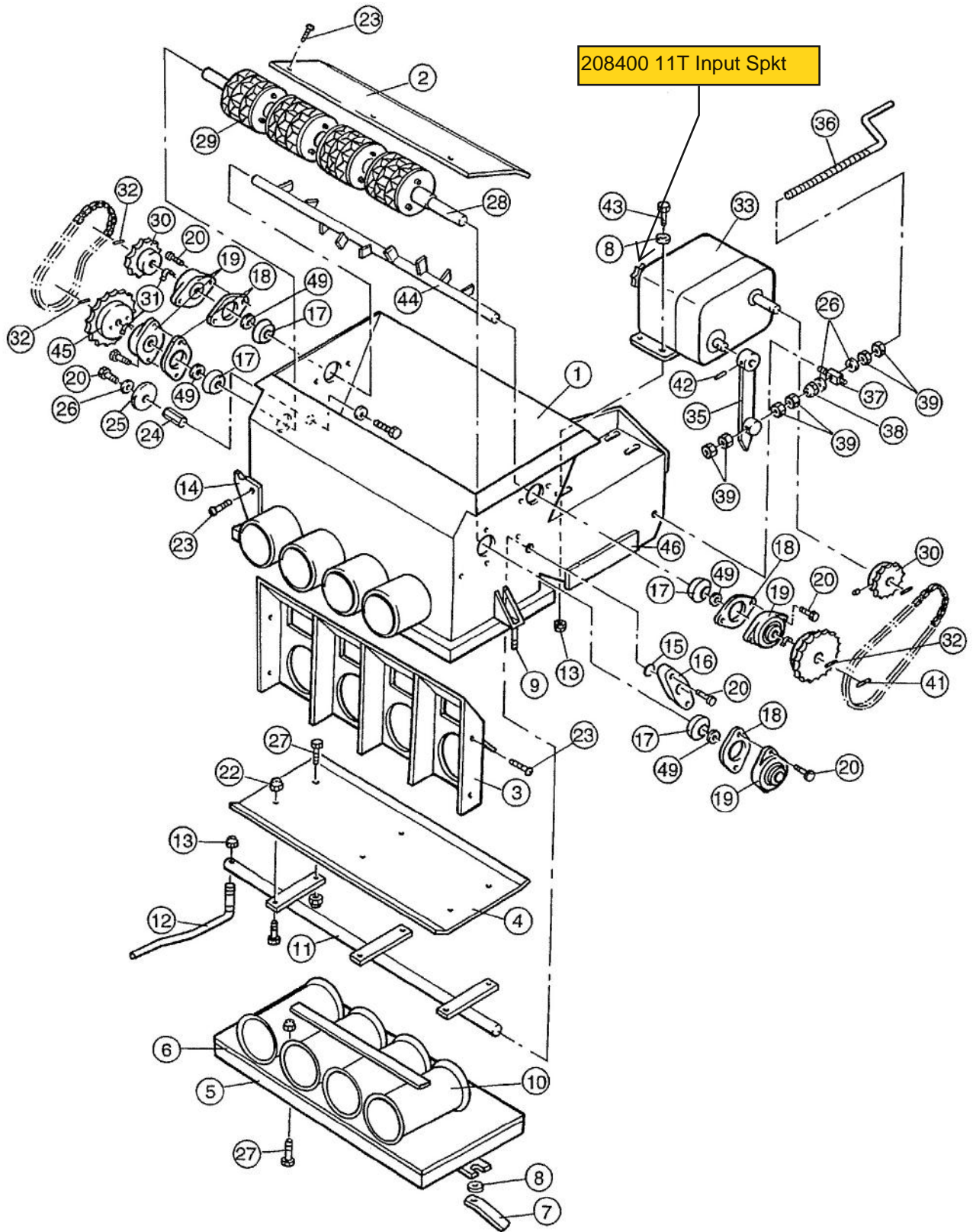


3 Way Metering Units – Pre 1998 Models

Item	Part #	Description	
1	208403001	Metering Unit Body Assy (3 Way)	
2	208400150	Coarse Seeds Plate (see option) →	208600036 Fine Seeds Plate
3	208300200	Cereal Port Plate WA (see options) →	208300205 Port Plate (3) Bean 100% Inner WA
4	208400155	Trap Door	208300210 Port Plate (3) Cereal 100% Inner WA
5	208403012	3 Way Bottom Door WA	208300215 Port Plate (3) Canola 100% Inner WA
6	197472310	Bottom Door Rubber Gasket	208300220 Port Plate (3) Cereal 100% Outside WA
7	208100060	Bottom Door Wing Nut	208300225 Port Plate (3) Bean 100% Outside WA
8	035110191	Washer 3/8" x 3/4"	208300230 Port Plate (3) Canola 100% Outside WA
9	208100061	Bottom Door Bolt	208300235 Port Plate (3) Standard Bean WA
10	208350071	Metering Unit – Tube Assy 3 Way	208300240 Port Plate (3) Standard Canola WA
11	208300054	Trap Door Shaft Assy	
12	208100051	Trap Door Handle Assy	
13	030130101	Nyloc Nut 3/8"	
14	208200027	Trap Door Lock Latch	
15	197192535	Trap Door Bearing "O" Ring	
16	137308846	Trap Door Bearing	
17	197161687	Shaft Seal	
18	197001626	Bearing Gasket or 197002628	<p>If bearing measures 47mm od x 5/8" id order: Item 18 - 197060028 Gasket Item 19 - BR-UC20210S Bearing Item 19 - 136520400 Housing</p> <p>If brg is 47mm od with 3/4" or 20mm ID 135420412 Bearing 3/4" id 135520420 bearing 20mm id</p>
19	135320210	Bearing UB20210S or BR-UC20210S if 47mm OD	
20	010208020	Cap Screw 5/16" x 3/4"L	
21	010208020	Cap Screw 5/16" x 3/4"L	
22	030130061	Nyloc Nut 1/4"	
23	010106012	Cap Screw 1/4" x 1/2"L	
24	MU-6050	Metering Unit Chain Tension Mount	
25	208400061	Chain Tensioner Block	
26	035108161	Washer 5/16" x 5/8"	
27	010106019	Cap Screw 1/4" x 3/4"L	
28	208300100	Metering Spool Shaft	
29	208300092	Spool Assy 4 Section suit 3 Way	
30	208400165	Sprocket 14T x 5/8" Bore 1/2"P	
31	193003765	Sprocket Retainer Clip	
32	208400098	Drive Pin	
33	MU-Y2	Zero Max Gear Box	
34	208404006	Bolt on Zero Max Mount "Under"(as shown)	
34b	208404009	Bolt on Zero Max Mount "Over" (not shown)	
35	208100111	Pointer Assembly	
36	209600001	Adjusting Screw Shaft	
37	290601007	Screw Swivel	
38	030130081	Nyloc Nut 5/16" UNC	
39	030110081	Hex Nut 5/16" UNC	
40	035108161	Washer 5/16" x 5/8"	
41	208400098	Drive Pin	
42	090105025	Roll Pin 3/16" x 1"L	
43	000100325	Bolt 3/8" x 1 1/4"	
44	208300081	Agitator Shaft WA	
45	208400161	Sprocket Nylon 21T x 5/8" Bore 1/2"P	
46	092017841	Calibration Badge	
49	035316320	Stainless Steel Washer	

Suit 5/8" Bearing

4 Way Metering Units – Pre 1998 Models

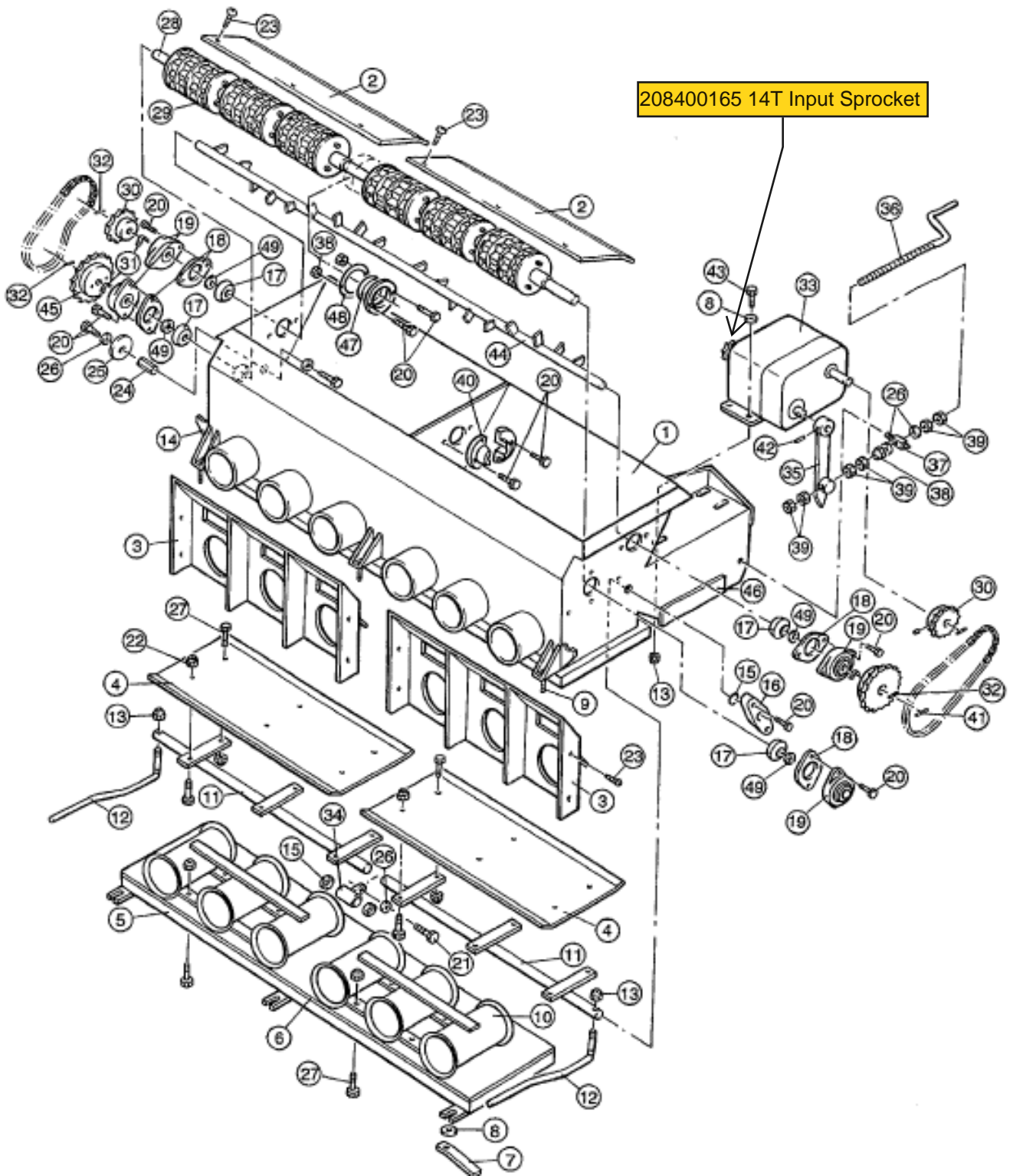


4 Way Metering Units – Pre 1998 Models

Item	Part #	Description	
1	208404001	Metering Unit Body Assy (4 Way)	
2	208400150	Coarse Seeds Plate (see option) →	208600036 Fine Seed Plate
3	208400200	Cereal Plate Assy (see options) →	208400250 Port Plate (4) Cereal 33% Outside WA
4	208400155	Trap Door	208400255 Port Plate (4) Cereal 16% Outside WA
5	208403012	4 Way Bottom Door WA	208400240 Port Plate (4) Standard Canola WA
6	197472310	Bottom Door Rubber Gasket	208400235 Port Plate (4) Standard Bean WA
7	208100060	Bottom Door Wing Nut	208400230 Port Plate (4) Canola 100% Outside W
8	035110191	Washer 3/8" x 3/4"	208400225 Port Plate (4) Bean 100% Outside WA
9	208100061	Bottom Door Bolt	208400220 Port Plate (4) Cereal 100% Outside W
10	208450071	Metering Unit – Tube Assy 4 Way	208400215 Port Plate (4) Canola 100% Inner WA
11	208300054	Trap Door Shaft Assy	208400210 Port Plate (4) Cereal 100% Inner WA
12	208100051	Trap Door Handle Assy	208400205 Port Plate (4) Bean 100% Inner WA
13	030130101	Nyloc Nut 3/8"	208400200 Port Plate (4) Standard Cereal WA
14	208200027	Trap Door Lock Latch	
15	197192535	Trap Door Bearing "O" Ring	
16	137308846	Trap Door Bearing	
17	197161687	Shaft Seal	
18	197001626	Bearing Gasket or 197001628 see note.*****	If bearing measures 47mm od x 5/8" id order: Item 18 - 197001628 Gasket Item 19 - BR-UC20210S Bearing Item 19 - 136520400 Housing
19	135320210	Bearing UB20210S or BR-UC20210S see note.*****	
20	010208020	Cap Screw 5/16" x 3/4"L	
22	030130061	Nyloc Nut 1/4"	
23	010106012	Cap Screw 1/4" x 1/2"L	
24	MU-6050	Metering Unit Chain Tension Mount	If bearing is 47mm od with 3/4" or 20mm id 135420412 Bearing 3/4" id 135520420 bearing 20mm id
25	208400061	Chain Tensioner Block	
26	035108161	Washer 5/16" x 5/8"	
27	010106019	Cap Screw 1/4" x 3/4"L	
28	208300100	Metering Spool Shaft	
29	208300093	Spool Assy 3 Section suit 4 Way	
30	208400165	Sprocket 14T x 1/8" Bore 1/2" Pite □	
31	193003765	Sprocket Retainer Clip	
32	208400098	Drive Pin	
33	MU-Y2	Zero Max Gear Box	
34	208404006	Bolt on Zero Max Mount "Under"(as shown)	
34b	208404009	Bolt on Zero Max Mount "Over" (not shown)	
35	208100111	Pointer Assembly	
36	209600001	Adjusting Screw Shaft	
37	290601007	Screw Swivel	
38	030130081	Nyloc Nut 5/16"UNC	
39	030110081	Hex Nut 5/16" UNC	
40	035108161	Washer 5/16" x 5/8"	
41	208400098	Drive Pin	
42	090105025	Roll Pin 3/16" x 1"L	
43	00010325	Bolt 3/8" x 1 1/4"	
44	208300081	Agitator Shaft WA	
45	208400161	Sprocket Nylon 21T x 5/8" Bore 1/2"P	
46	192017841	Calibration Badge	
49	035316320	Flat Washer Stainless	

Suit 5/8" Bearing

6 Way Metering Units – Pre 1998 Models



6 Way Metering Units – Pre 1998 Models

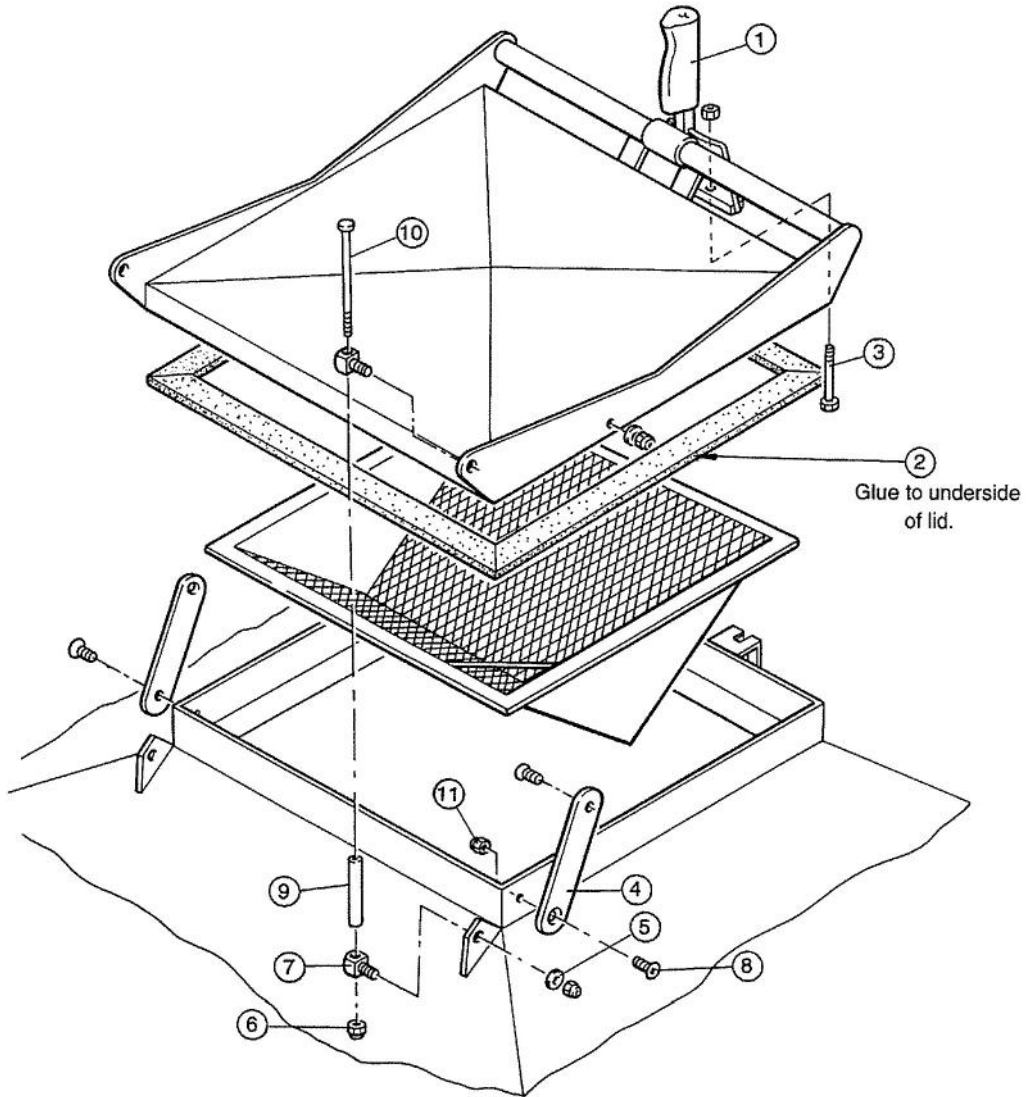
Item	Part #	Description	
1	208604000-U	Metering Unit Body WA Under/Body WA Under	208604000-O Metering Unit Body Over
2	208400150	Coarse Seeds Plate	
3	208300200	Cereal Port Plate Std (see options) →	208600205 Port Plate (6) LH 100% Right
4	208400155	Trap Door	208600210 Port Plate (6) RH 100% Right
5	208603012	Bottom Door WA	208600215 Port Plate (6) LH 100% Left
6	197472310	Bottom Door Gasket	208600220 Port Plate (6) RH 100% Left
7	208100060	Bottom Door Wing Nut	208600225 Port Plate (6) LH 100% Right Bean
8	035110191	Flat Washer 3/8"	208600230 Port Plate (6) RH 100% Right Bean
9	208100061	Bottom Door Bolt	208600235 Port Plate (6) LH 100% Left Bean
10	208350071	Metering Unit Tube 3 Way WA	208600240 Port Plate (6) RH 100% Left Bean
11	208300054	Trap Door WA Shaft	208600300 Port Plate (6) LH 37.5% Left
12	208100051	Trap Door Handle WA	208600305 Port Plate (6) RH 37.5% Left
13	030130101	Nyloc Nut 3/8"	208600325 Port Plate (6) RH 37.5% Left Bean
14	208200027	Notch Plate	208600400 Port Plate (6) LH 25% Left
15	197192535	Trap Door Bearing "O" Ring	208600405 Port Plate (6) RH 25% Left
16	137308846	Trap Door Bearing	208600425 Port Plate (6) RH 25% Left Bean
17	197161687	Shaft Seal	208600435 Port Plate (6) LH 25% Left Bean
18	197001626	Bearing Gasket *or 197001628 see note*****	208600500 Port Plate (6) LH 12.5% Left
19	135320210	Bearing UB20210S or BR-UC20210S see note*****	208600505 Port Plate (6) RH 12.5% Left
20	010208020	Cap Screw 5/16" x 3/4"L	
22	030130061	Nyloc Nut 1/4"	
23	010106012	Cap Screw 1/4" x 1/2"L	
24	MU-6050	Metering Unit Chain Tension Mount	
25	208400061	Chain Tensioner Block	
26	035108161	Washer 5/16" x 5/8"	
27	010106019	Cap Screw 1/4" x 3/4"L	
28	208600952	Metering Spool Shaft 6 Way	
29	208300092	Metering Spool Assy	
30	208400166	Sprocket 14t x 3/4" Bore	
31	193003765	Sprocket Retainer Clip	
32	208400098	Drive Pin	
33	MU-QX2	Zero Max Gear Box	
34	MU-6006	Trap Door Centre Bush WA	
35	MU-6007	Pointer QX2 WA	
36	209600001	Adjusting Screw Shaft	
37	290601007	Screw Swivel	
38	030130081	Nyloc Nut 5/16" UNC	
39	030110081	Hex Nut 5/6" UNC	
40	208600940	Split Agitator Bush	
41	208400098	Roll Pin 3/16" x 3/4"	
42	013110610	Grub Screw 1/4" x 3/8"	
43	000100325	Bolt 3/8" x 1 1/4"	
44	MU-6009	Agitator Shaft WA	
45	208400161	Sprocket 21T x 5/8" Bore 1/2" P	
46	192017269	Calibration Badge	
47	208600949	Sheedy Bearing Assy	
48	136200002	Bearing Flange Housing	
49	035316320	Flat Washer Stainless	

If bearing measures 47mm od x 5/8" id order:
 Item 18 - 197001268 Gasket
 Item 19 - BR-UC20210S Bearing
 Item 19 - 136520400 Housing

If bearing is 47mm od with 3/4" or 20mm id
 135420412 Bearing 3/4" id
 135520420 bearing 20mm id

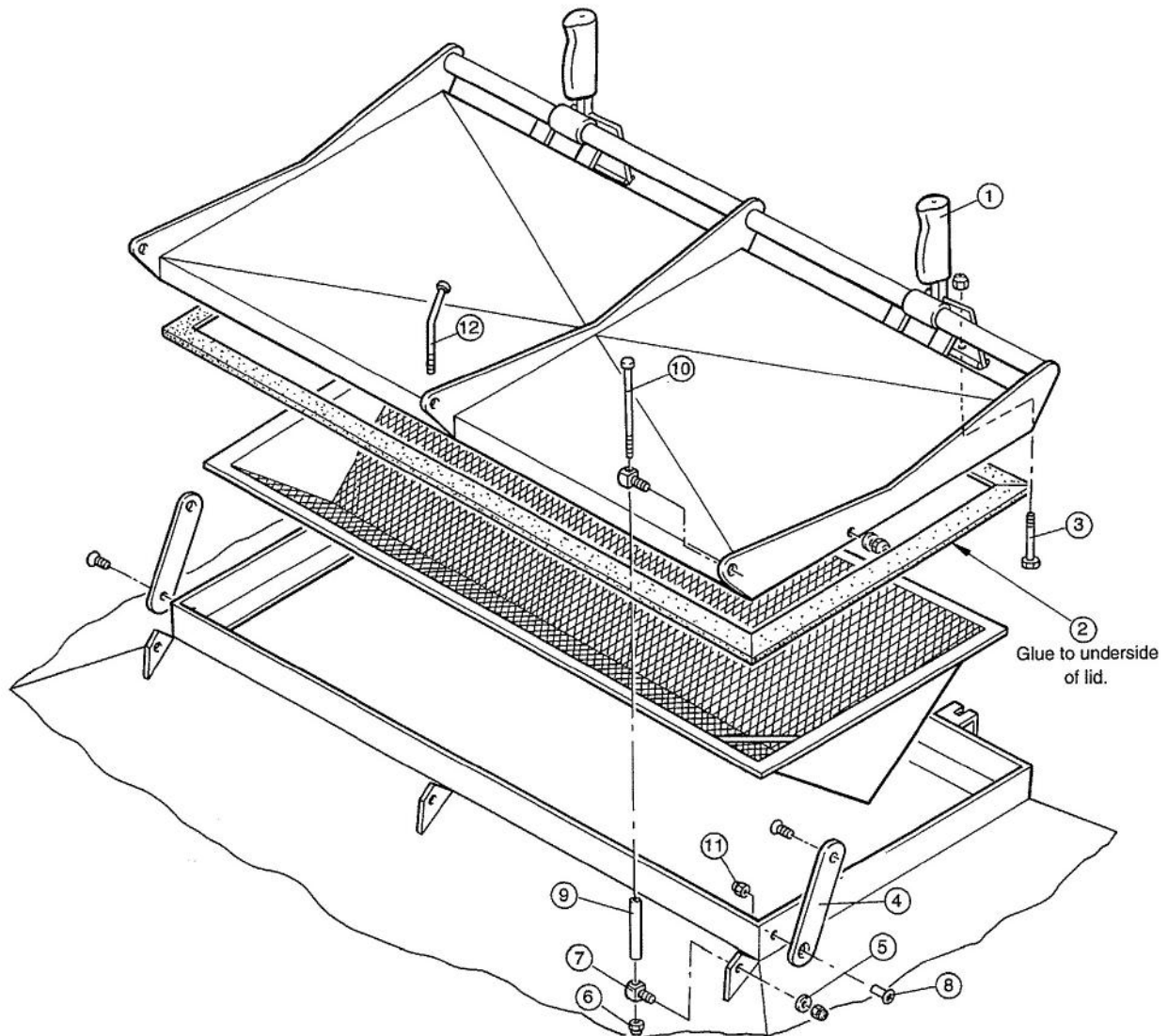
Suit 5/8" Bearing

Square Lid Assembly – Pre 1998 Models



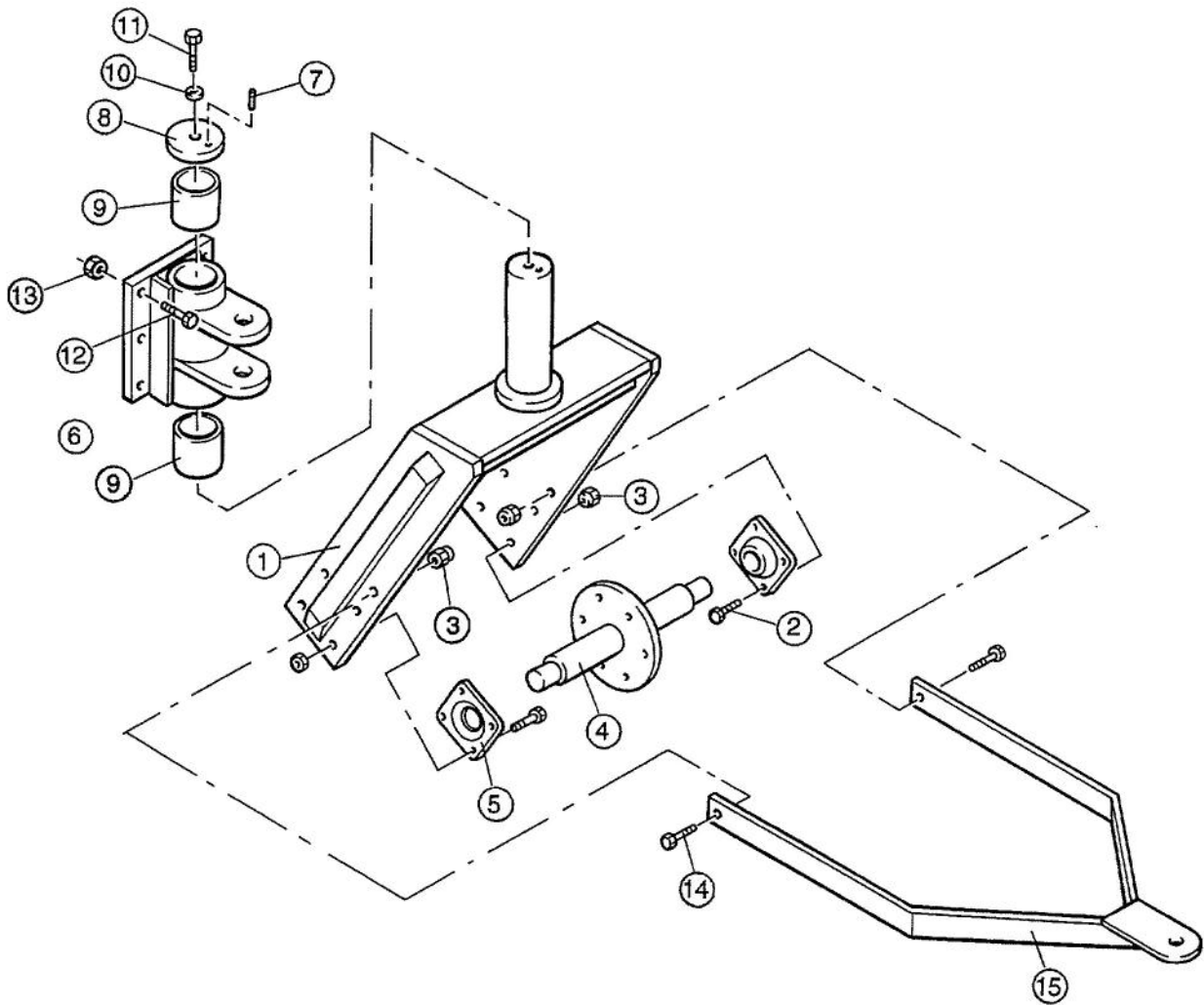
Item	Part #	Description
1	197020115	Rubber Handle Grip
2	197525265	Lid Rubber Seal 520x520x6.5mm
3	000100635	Bolt 3/8" x 2 1/2" UNC
4	203154006	Bin Lid Tilt Hinge Plate
5	035110251	Flat Washer 3/8" x 3/4"
6	030130101	Nyloc Nut 3/8" UNC
7	203154005	Bin Lid Adjustable Swivel
8	012110025	Cap Screw C/Sunk 3/8" x 1 " UNC
9	203154004	Bin Lid Adjustable Hinge Spacer
10	000101395	Bolt 3/8" x 5 1/2" UNC
11	030110101	Nut 3/8" UNC

Wide Lid Assembly – Pre 1998 Models



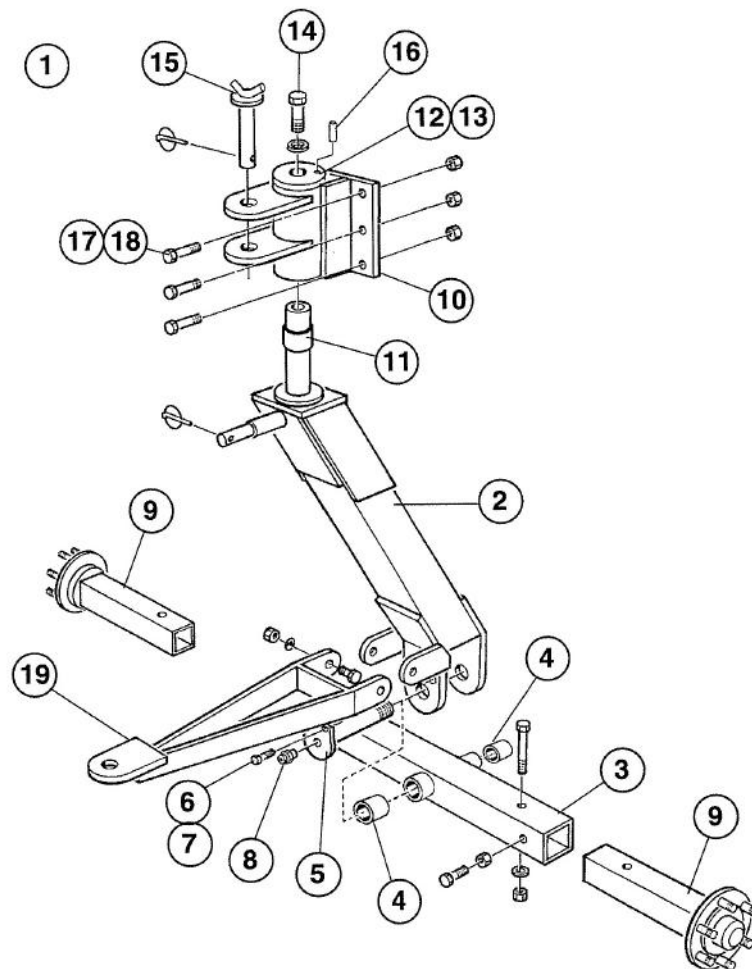
Item	Part #	Description
1	197020115	Rubber Handle Grip
2	LD-6001	Rubber Seal 1150 x 500
3	000100635	Bolt 3/8" x 2 1/2" UNC
4	203154006	Tilt Hinge Plate
5	035110251	Flat Washer 3/8"
6	030130101	Nyloc Nut 3/8" UNC
7	203154005	Adjustable Hinge Lug
8	012110025	C/Sunk Bolt 3/8" x 1 " UNC
9	203154004	Adjustable Hinge Spacer
10	000101395	Bolt 3/8" x 5 1/2" UNC
11	030110101	Nut 3/8" UNC
12	203900008	Centre Bolt and Swivel Assy

Single Castor Wheel Assembly – Pre 1998 Models



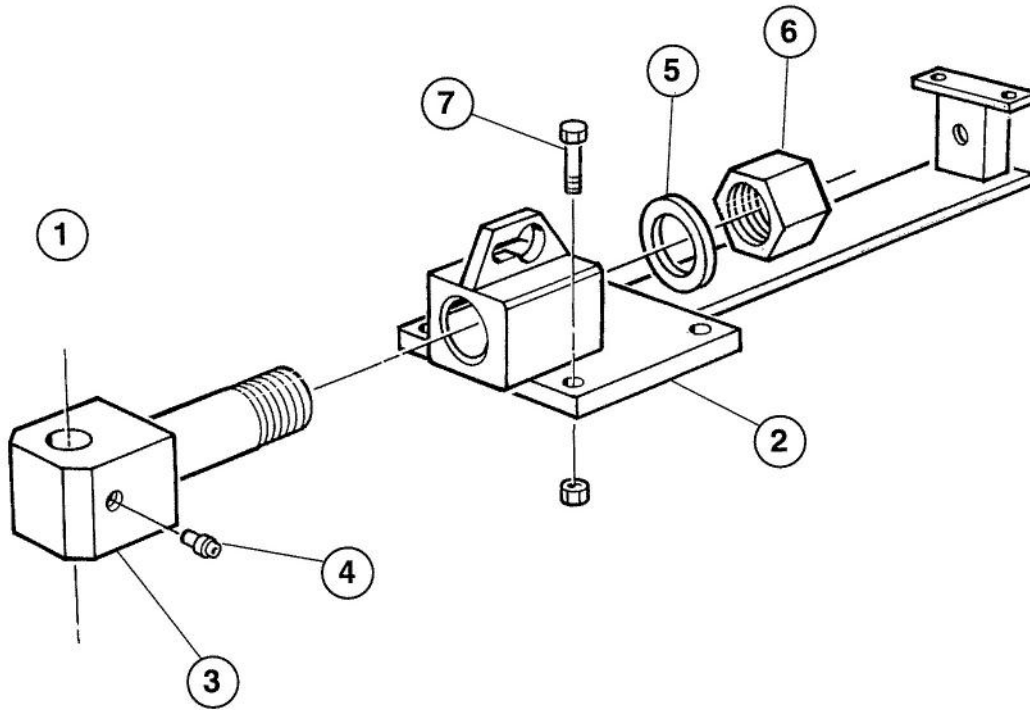
Item	Part #	Description
1	CA-1001	Castor Fork
2	000130385	Bolt ½" x 1 ½" UNC
3	030130131	Nyloc Nut ½" UNC
4	220300030	Castor Axle
5	135420824	Bearing UC-208-24S
	136620800	Bearing Flange F208J
6	CA-001	Castor Head
7	090106025	Roll Pin ¼" x 1"
8	220300036	Castor Head Cap
9	137148048	Teflon Bush 3" ID x 3" Long
10	035113250	Flat Washer ½"
11	000130255	Bolt ½" x 1" UNC
12	000160635	Bolt 5/8" x 2 ½" UNC
13	030130161	Nyloc Nut 5/8" UNC
14	000130505	Bolt ½" x 2" UNC
15	CA-1003	Single Castor Pull

Walking Beam Castor Wheel Assembly – Pre 1998 Models



Item	Part #	Description
1		Walking Beam Castor Assy
2	2290600050	Castor Leg Suit 1100 x 16 Tyres
2B	229600080	Castor Leg Suit 14.9 x 24 Tyres
2C	229600070	Castor Leg Suit 14.9 x 24 Tyres
3		Cross Axle (RHS Cut to Size)
4	137132032	Teflon Bush 2" ID x 2" Long
5	DC-2007	Pin
6	000100255	Hex Bolt 3/8" x 1" UNC
7	036110000	Spring Washer 3/8"
8	111206000	Grease Nipple 1/4"
9		Stub Axle (Andys Hub & Stub Assy)
10	DC-2004	Castor Head
11	137148048	Teflon Bush 3" ID x 3" Long
12	220300036	Castoring Quad Head Cap
13	193100766	Brake Pad
14	000190505	Bolt 3/4" x 2" UNC
15	035110191	Flat Washer 3/4"
16	RP-1025	Roll Pin 3/8" x 1"
17	000160635	Bolt 5/8" x 2 1/2" UNC
18	030130161	Nyloc Nut 5/8" UNC
19		Walking Beam Castor Pull

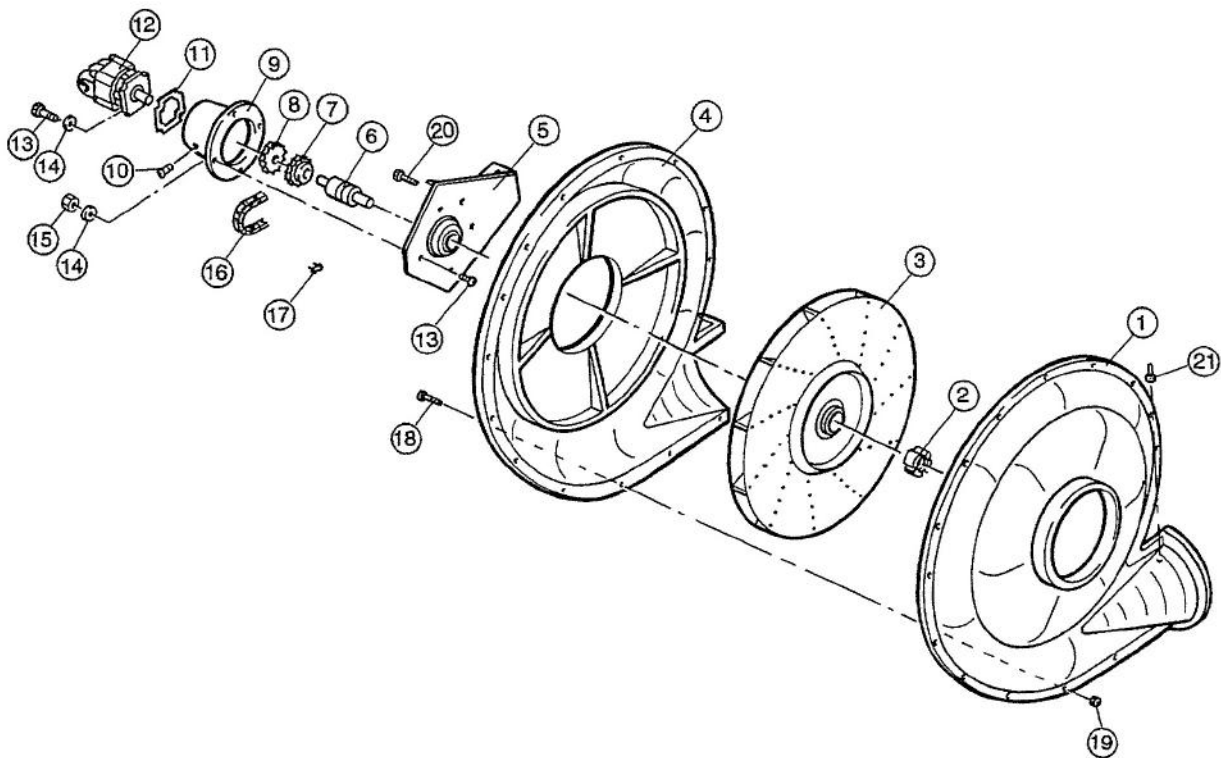
Swivel Hitch Assembly – Pre 1998 Models



Item	Part #	Description
1		Swivel Hitch Assy
2		Mount Assy
3	233400035	Swivel Head
4	111206000	Grease Nipple
5	235600050	Thrust Washer
6	N-032	Hex Nut 1 1/4" UNF
7		Hex Bolt 1/2" (to suit frame)
8	030110131	Hex Nut 1/2" UNC

If Ordering and the above Replacement Parts are not available, may need to order Complete Later Style Replacement, Pin Diameter will be required as will bar dimensions where being fitted.

233330048 = Swivel Hitch Assy 1.5" Hole suit 4" Bar fix with U Bolts
 233330031 = Swivel Hitch Assy 1.25" Hole suit 4" Bar fix with U Bolts
 233390025 = Swivel Hitch Assy Clevis Style Bolt on Mount

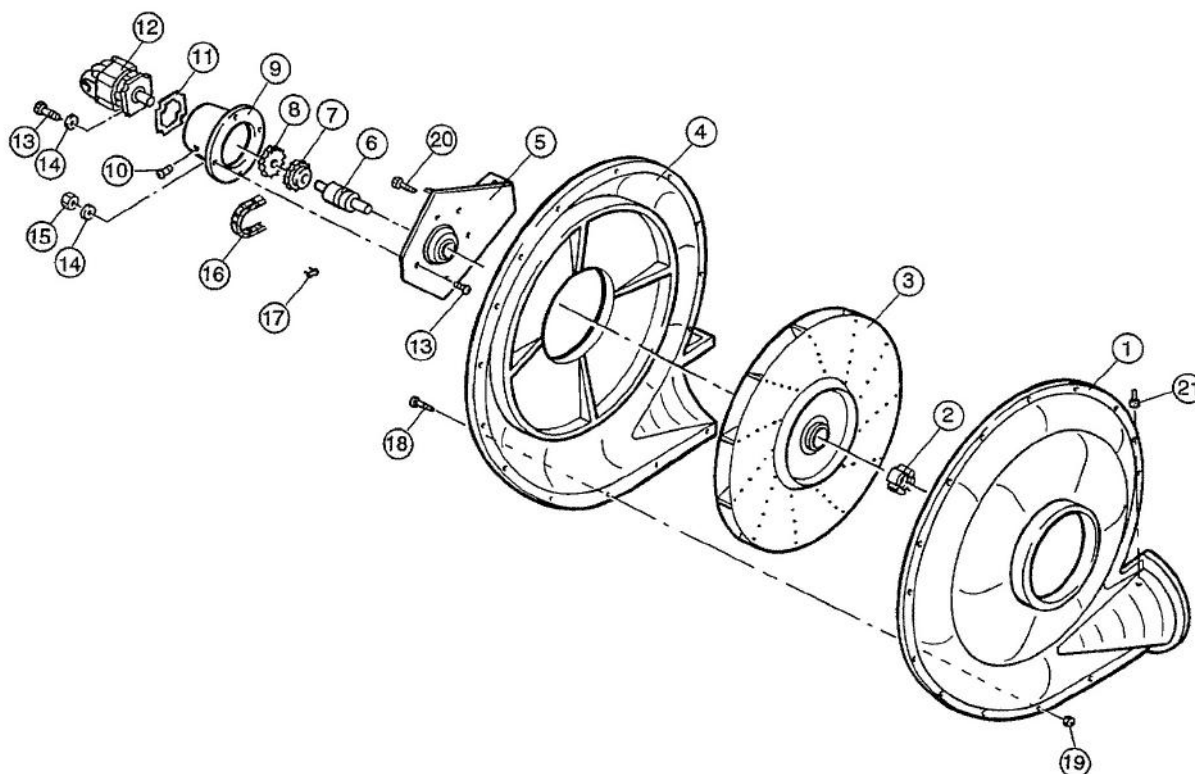


Item	Part #	Description
1	BL-H-451	Fan Housing Inlet Side NLA (See Following Pages)
2	BL-1210-M17	Taper Lock Bush
3	BL-1-450	450 Diameter Fan Impellor NLA use 259000009 ((2000 Models use 259000010)
4	BI-H45D	Fan Housing Motor Side NLA (See Page 71B)
5	259000120	Blower Mount WA
6	134850000	Water Pump Bearing
7	290120147	Sprocket 14T x 12"P Plain Centre Steel
8	126131404	Sprocket 14T x 1/2"P Splined Centre
9	259000015	Bell Housing
10	153000647	Filler Level Plug
11	197000035	Gasket
12	158320025	Hydraulic Motor Splined (check numbers on motor MGG200___)
13	000080255	Bolt 5/16" x 1"
14	035108161	Flat Washer 5/16" x 5/8"
15	030130081	Nyloc Nut 5/16"
16	125412120	Duplex Chain 1/2"P Chain 1/2" BS Duplex 13L & Con 1/2"
17	125212120	Duplex Link 1/2" BS08
18	010106025	Cap Screw 1/4" x 1"
19	030130061	Nyloc Nut 1/4" UNC
20	CS-1030	Cap Screw 3/8" x 1 1/4"
21	AC218A	Air Fitting

Pre 1998 blower housings are different to current production and are not normally interchangeable

Steel housing fans and impellers are no longer serviced

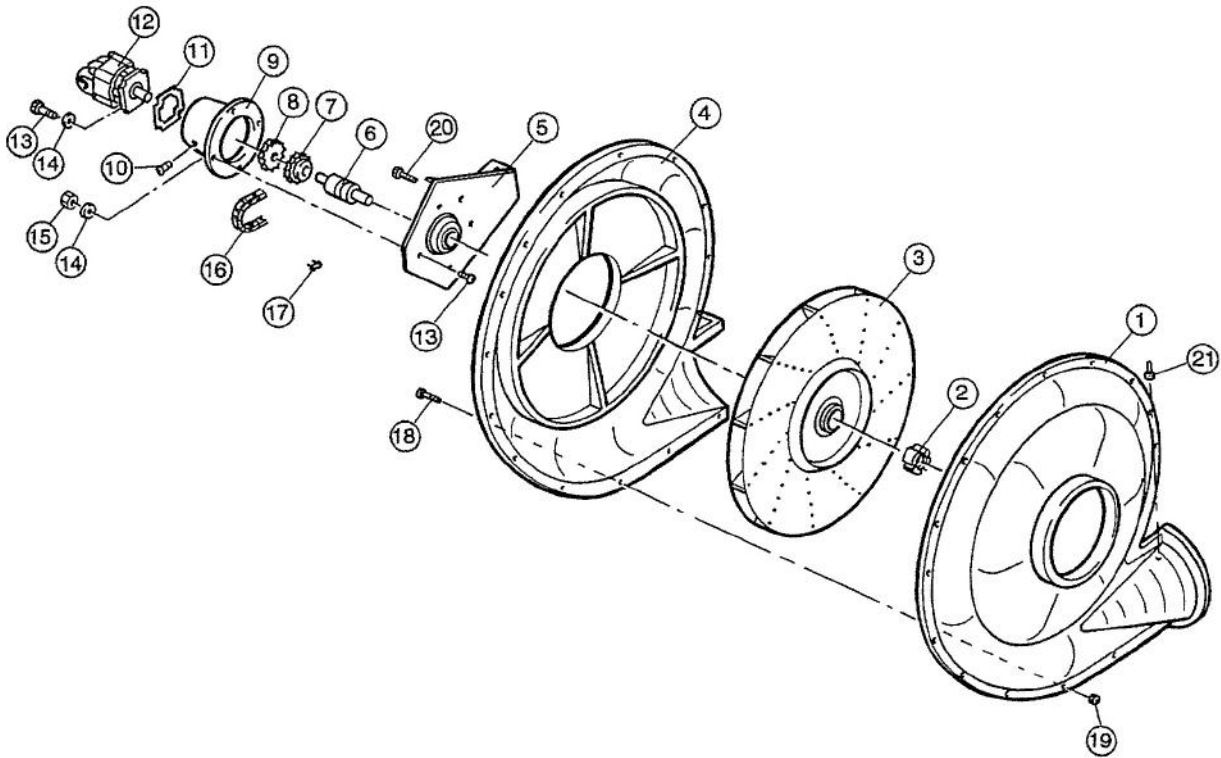
25 Tyrone Motor Blower Assembly Amended Page Follows



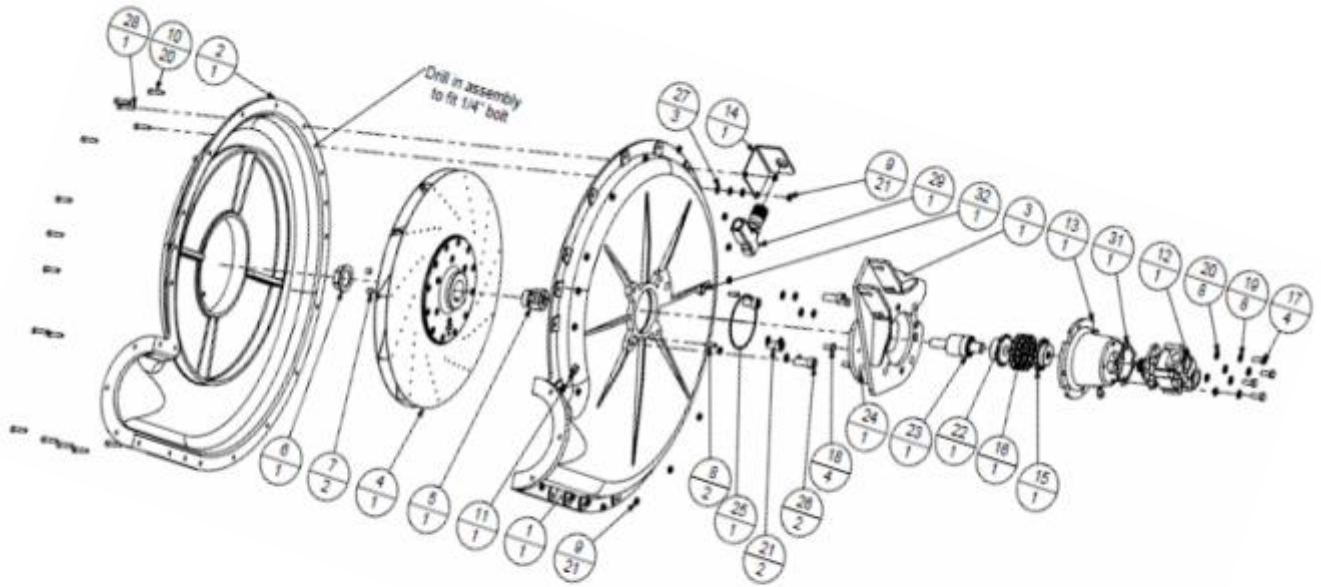
Item	Part #	Description
1	259000003	Fan Housing Inlet Side
2	259000031	Taper Screw Lock suit 5/8" Shaft
2B	259000030	Taper Screw Lock Nut
3	259000009	450 Diameter Fan Impellor (5/2000 Models used 259000010)
4	259000006	Fan Housing Motor Side
5	259000021	Blower Mount WA
6	134850000	Water Pump Bearing
7	290120147	Sprocket 14T x 12"P Plain Centre Steel
8	126131404	Sprocket 14T x 1/2"P Splined Centre
9	259000015	Bell Housing
10	153000647	Filler Level Plug
11	197000035	Gasket
12	158320025	Hydraulic Motor Splined
13	000080255	Bolt 5/16" x 1"
14	035108161	Flat Washer 5/16" x 5/8"
15	030130081	Nyloc Nut 5/16"
16	125412120	Duplex Chain 1/2"P Chain 1/2" BS Duplex 13L & Con 1/2"
17	125212120	Duplex Link 1/2" BS08
18	010106025	Cap Screw 1/4" x 1"
19	030130061	Nyloc Nut 1/4" UNC
20	010113038	Cap Screw 1/2" x 1 1/2"
21	110110618	Push / Pull Air Fitting

Refer to Page 24 for Current Drawing # 252302000

30 Tyrone Motor Blower Assembly – Pre 1998 Models



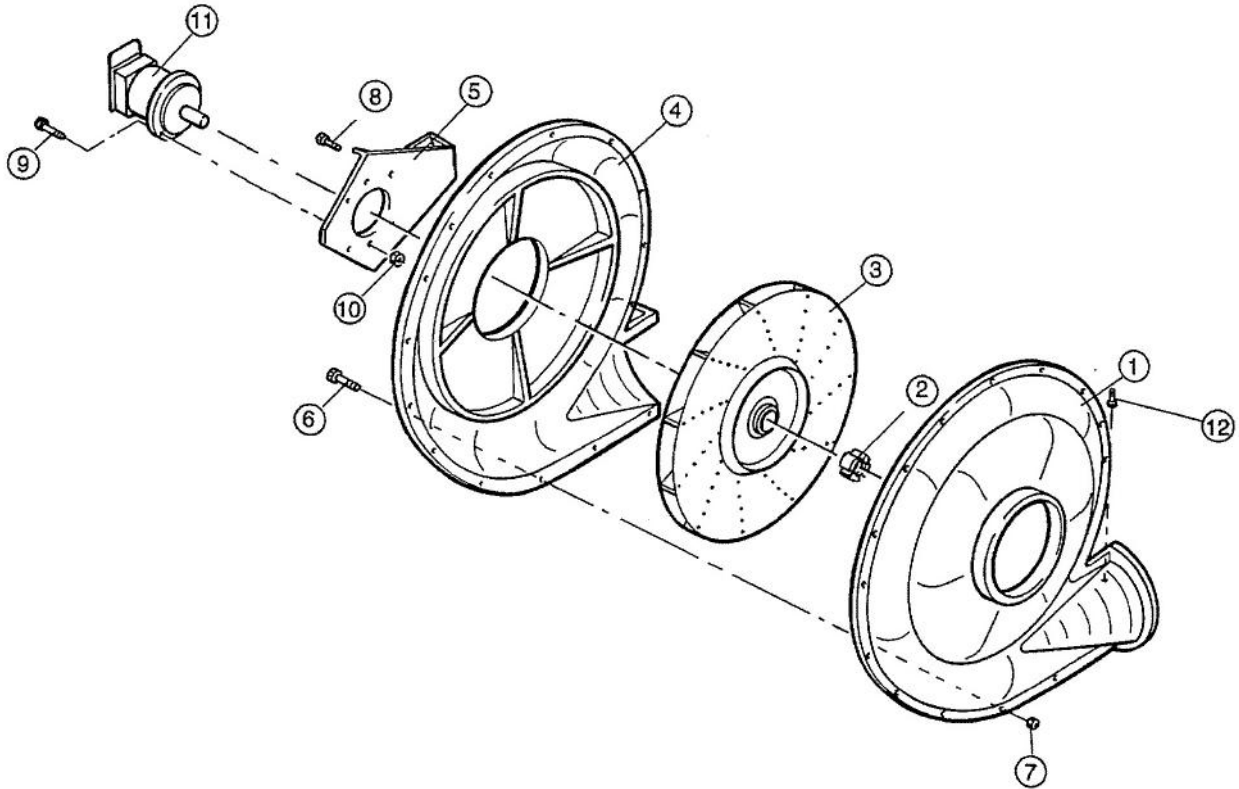
Item	Part #	Description
1	BL-H-451	Fan Housing Inlet Side NLA (See Page 17B)
2	BL-1210-M17	Taper Lock Bush
3	BL-1-450	450 Diameter Fan Impellor NLA us 259000009***
4	BI-H45D	Fan Housing Motor Side NLA (See Page 17B)
5	259000120	Blower Mount WA
6	134850000	Water Pump Bearing
7	290120147	Sprocket 14T x 12"P Plain Centre Steel
8	126131404	Sprocket 14T x 1/2"P Splined Centre
9	259000015	Bell Housing
10	153000647	Filler Level Plug
11	197000035	Gasket
12	158320035	Hydraulic Motor Splined (check numbers on motorMGG200)
13	000080255	Bolt 5/16" x 1"
14	035108161	Flat Washer 5/16" x 5/8"
15	030130081	Nyloc Nut 5/16"
16	125412120	Duplex Chain 1/2"PChain 1/2" BS Duplex 13L & Con 1/2"
17	125212120	Duplex Link 1/2" BS08
18	010106025	Cap Screw 1/4" x 1"
19	030130061	Nyloc Nut 1/4" UNC
20	CS-1030	Cap Screw 3/8" x 1 1/4"
21	AC218A	Air Fitting



Item #	Part #	Description	Item #	Part #	Description
1	259000006	Blower Housing Drive Side	17	000080255	Bolt Hex Head 5/16" UNC x 1" ZP
2	259000003	Blower Housing Intake Side	18	000080195	Bolt H/Head 5/16" UNC x 3/4" Gr5
3	259000021	Single Blower Mount	19	035108161	Flat Washer Zp 5/16" ID x 5/8" OD
4	259000010	Impellor	20	036108000	Washer/Spring 5/16" ZP
5	259000031	Fan Taper Bush (5/8)	21	010113025	Cap Screw ZP UNC 1/2" x 1"
6	259000030	Fan Taper Bush Nut	22	127120147	Sprocket Steel Boss BS 1/2" x 14T
7	013121012	Grub Screw 3/8" UNC x 1/2" Oval	23	134850000	Bearing Water Pump ISB850
8	090106025	Roll Pin 1/4" x 1" ZP	24	259000025	Tyrone Motor Adaptor
9	030130061	Nut UNC ZP Nyloc 1/4"	25	197000036	O'Ring For Bell Housing 01-242
10	010106032	Cap Screw ZP UNC 1/4" x 1 1/4"	26	10113038	Cap Screw ZP UNC 1/2" x 1 1/2"
11	110110618	Air Fir Male Blower MR110618PTFE	27	035106151	Flat Washer ZP 1/4" Id x 9/16" OD
12	158320025	Motor Hydraulic Tyrone 0.58 CI/REV	28	010106038	Cap Screw ZP UNC 1/4" x 1 1/2"
13	259000015	Blower Bell Housing Tyrone	29	161201512	Valve Needle 1/2" W/- Locknut
14	259000020	Valve Mount Bracket - Tyrone	30	153000647	Filler Plug For Bell Housing (S64-7)
15	126131404	Sprocket P/B BS 1/2" x 14T Splined	31	197000035	Gasket for Tyrone Motor SIM 165
16	125412120	Chain 1/2" P. Duplex 15 link &	32	197000313	Blank Off Plug 13mm Tapered (Red)

Pre 1999 models may require 259000009 not 259000010 as listed at item 4

Volvo Motor Blower Assembly – Pre 1998 Models

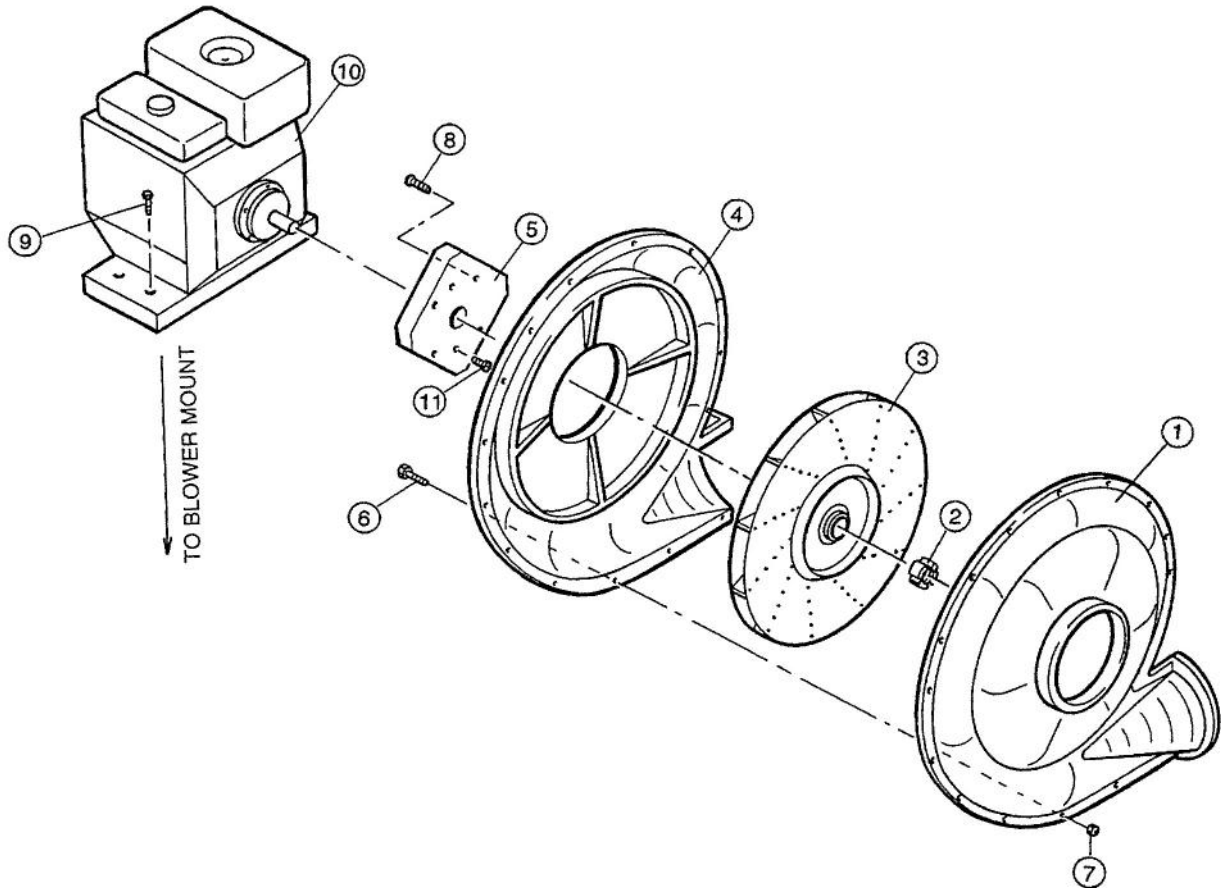


Item	Part #	Description	Supersession Part #
1	BL-H45-1	450 Diameter Fan Housing Inlet Side	259000003 Housing Intake Side
2	BL-6-016	Taper Lock Bush 20mm	259000030 Nut – 259000032 Lock
3	BL-I-450V	450 Diameter Fan Impellor	259000010 Impellor
4	BL-H-450	450 Diameter Fan Housing, Motor Side	259000006 Housing Drive Side
5	BL-2506V	Blower Mount Volvo	259000021 Motor Mount
6	010106025	Cap Screw 1/4" x 1"	
7	030130061	Nyloc Nut 1/4"	
8	CS-1030	Cap Screw 3/8" x 1 1/4"	010113038 Cap Screw 1/2" x 1 1/2"
9	000130385	Bolt 1/2" x 1 1/2"	
10	030130131	Nyloc Nut 1/2"	
11	BL-F11-010	Volvo Hydraulic Motor	259000051 F11-10 Motor
12	AC218A	Air Fitting	110110618 Hose Fitting

It is important to identify which locking system is on your customer's seeder, if they have a "taper lock" 1210 series holding the impellor onto the shaft and they require a new impellor, you need to order the matching lock and nut to suit that replacement impellor – refer to right hand column.

If 259000051 10cc motor is not available use 259000032 12cc motor (mount plate may also be required)

Petrol & Diesel Motor Blower Assembly – Pre 1998 Models

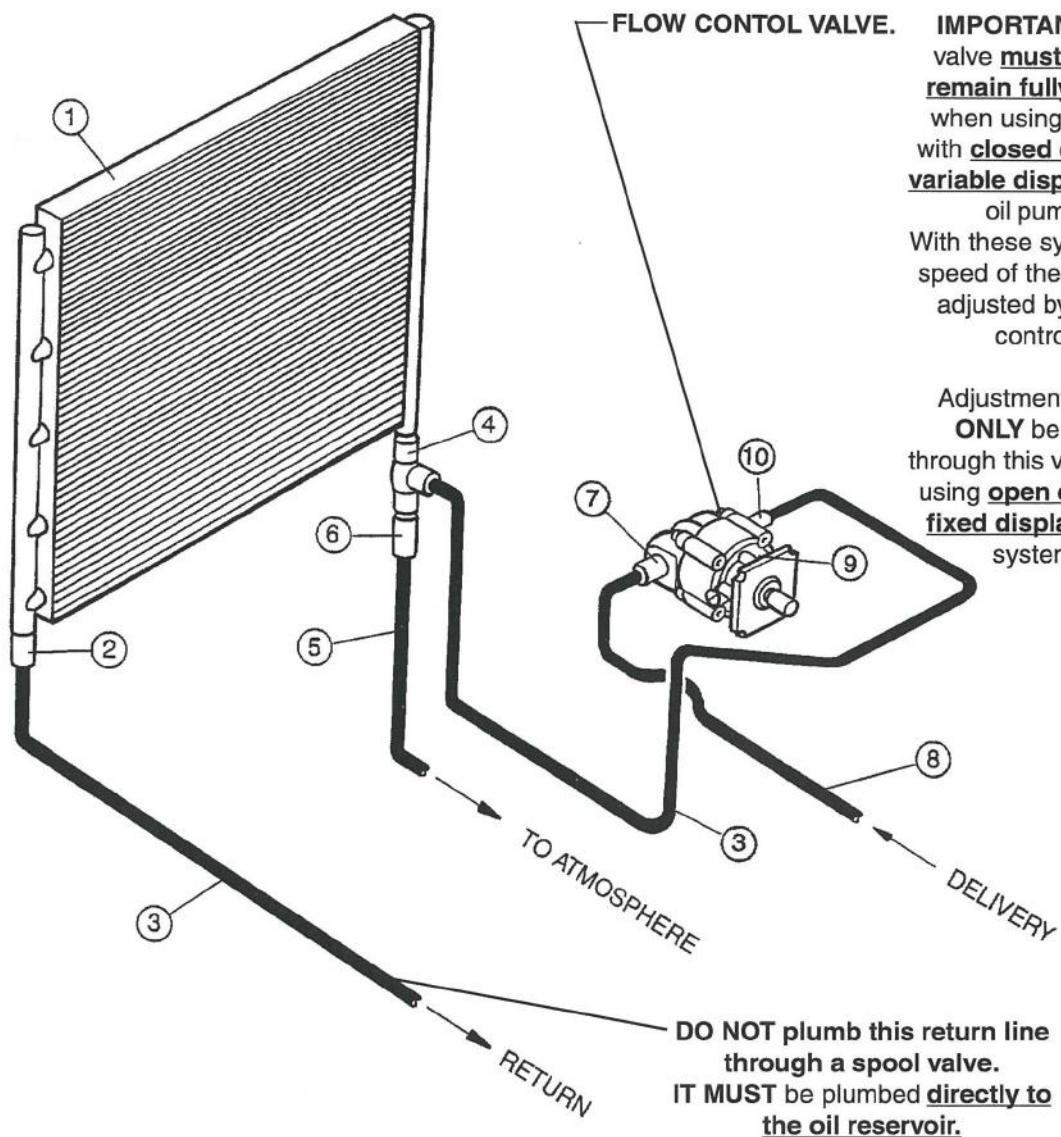


Item	Part #	Description	Supersession Part #
1	BL-H-45-1	450 Diameter Fan Housing, Inlet Side	259000003 Housing Intake Side
2	BL-1210-1	Taper Lock Bush 1"	259000030 Nut – 259000042 Lock
3	BL-I-450	450 Diameter Fan Impellor	259000010 Impellor
4	BL-H-45D	450 Diameter Fan Housing, Motor Side	259000006 Housing Drive Side
5	BL-M-D	Blower Mount Diesel	
6	BL-M-P	Blower Mount Petrol	
7	030130061	Nyloc Nut ¼"	
8	CS-1030	Cap Head 3/8" x 1 ¼"	
9	000100505	Bolt 3/8" x 2"	
10		Diesel or Petrol Motor	7-13 Hp as required for application
11	050080308	Bolt 8mm x 30mm	

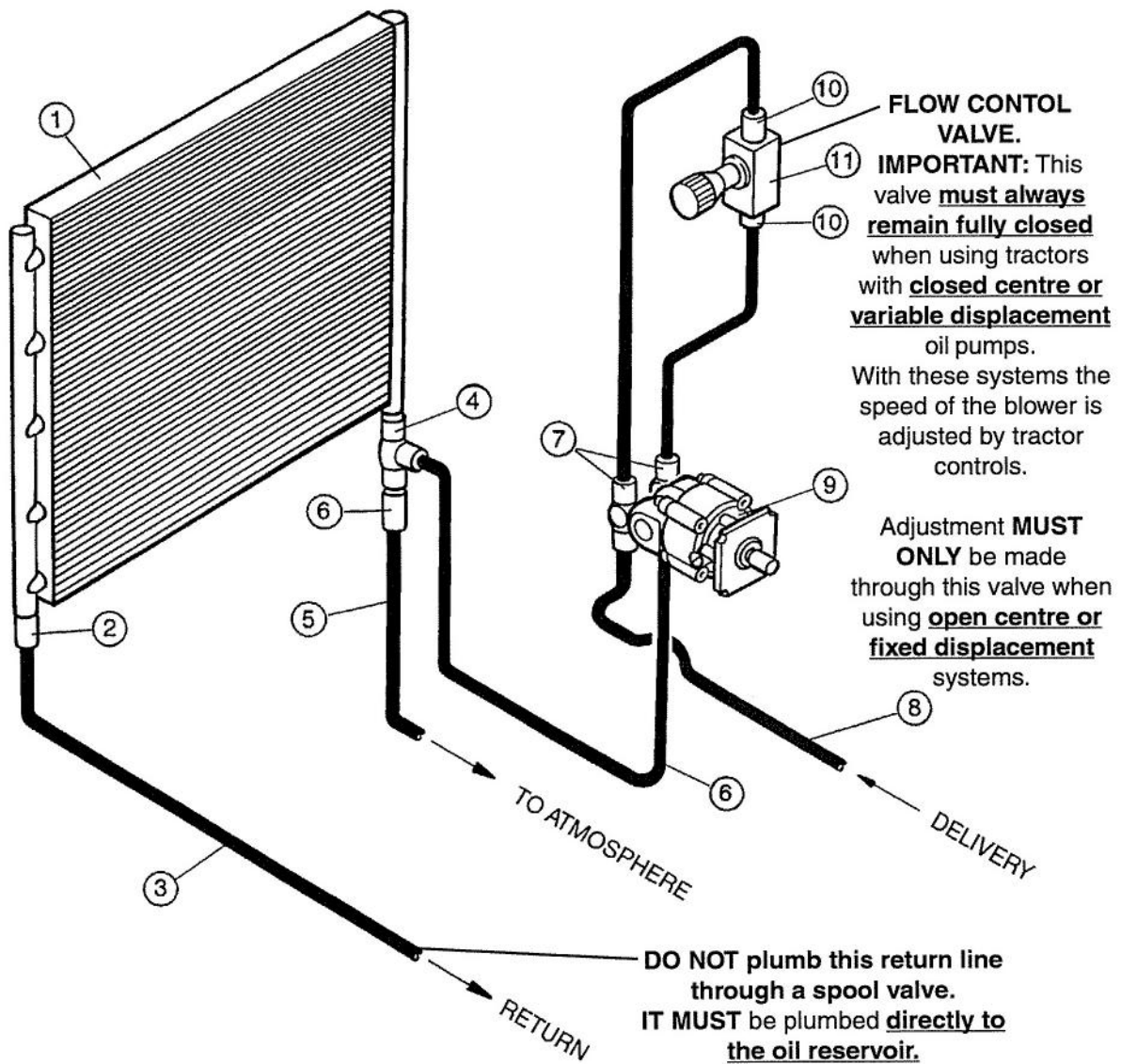
Always check shaft size on motor as these can be metric (25mm) and not 1"

If 25mm is required order part # 259000041

25 Tyrone Motor Hydraulic Circuit – Pre 1998 Models

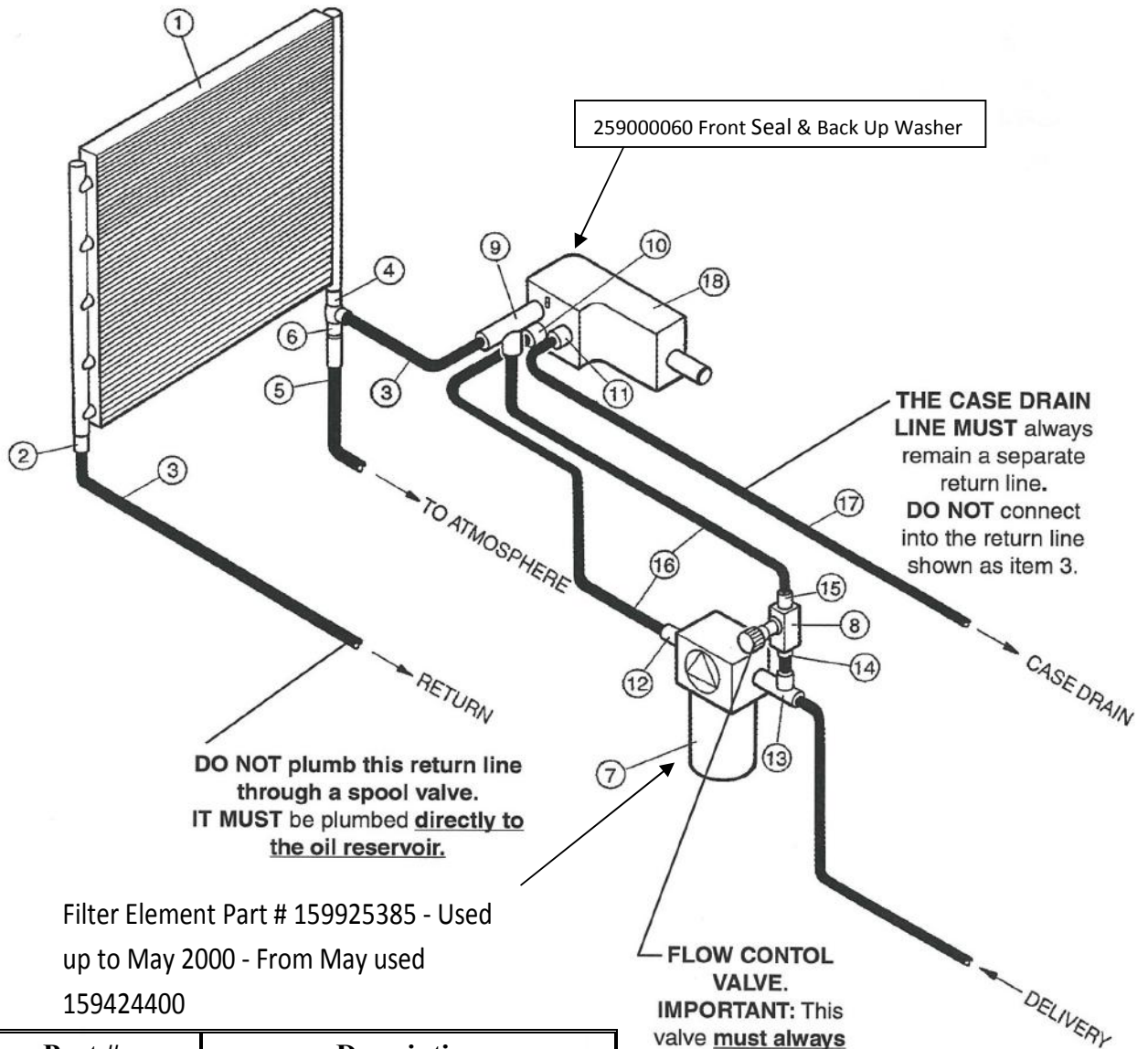


Item	Part #	Description
1	163109241	Oil Cooler
2		Fitting
3	152421-12	3/4" x S/B Hose
4		3 Way Fitting
5	152611-8	1/2" Push Lock Hose
6	200122350	Relief Valve set to 600 Psi
7		Fitting
8	152301-8	1/2" D/B Hose
9	158320025	Hydraulic Motor
10		Fitting



Item	Part #	Description
1	163109241	Oil Cooler
2		Fitting
3	152421-12	3/4" S/B Hose
4	152JB7037	3 Way Fitting
5	152611-8	1/2" Push Lock Hose
6	200122350	Relief Valve set to 600Psi
7	15210S50X-S	Fitting
8	152301-8	D/B Hose 1/2"
9	158320035	Hydraulic Motor 9.5 cc
10	10C3MXS	Fitting
11	161201512	Flow Control Valve with in built Check

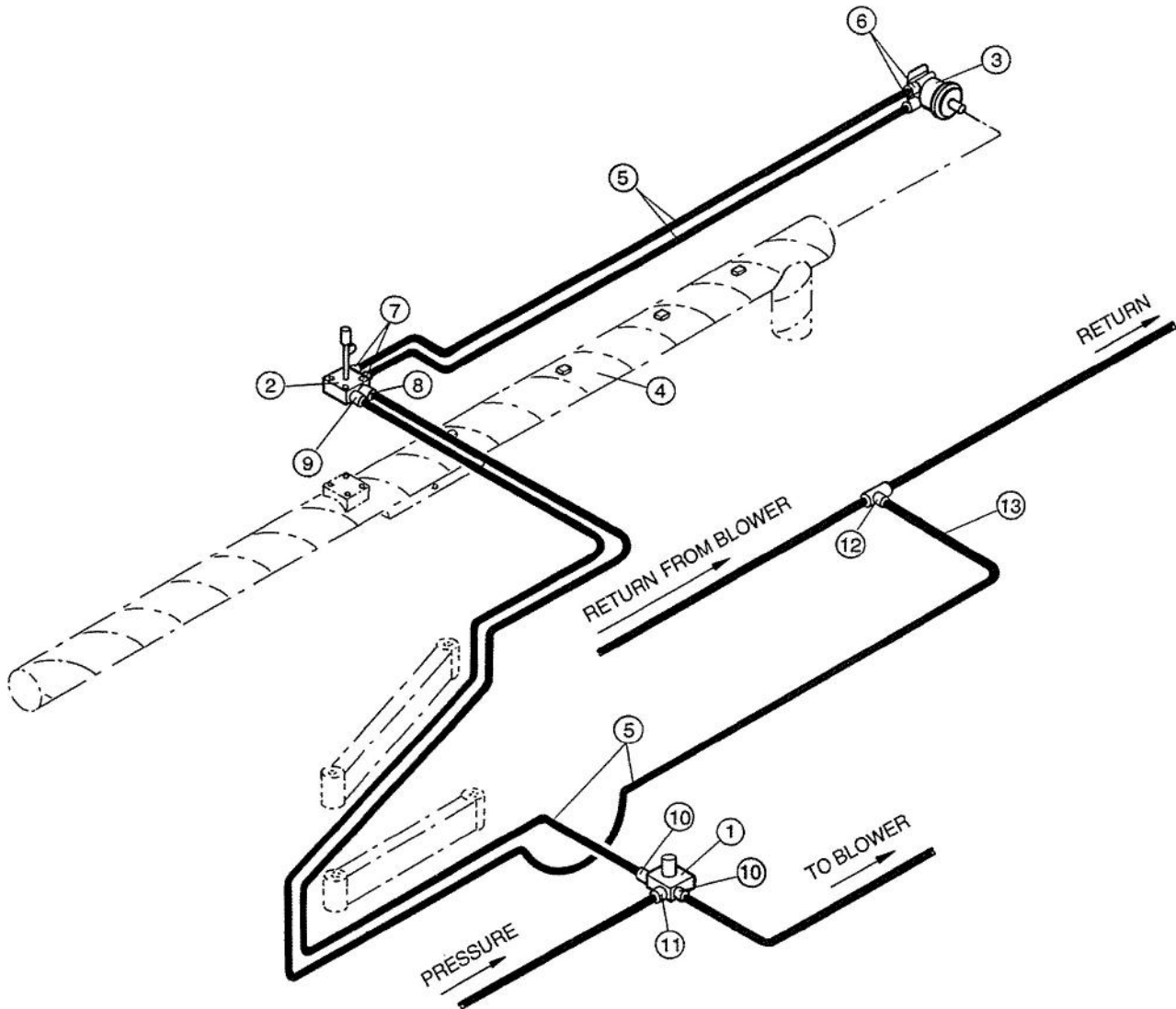
Volvo Motor Hydraulic Circuit – Pre 1998 Models



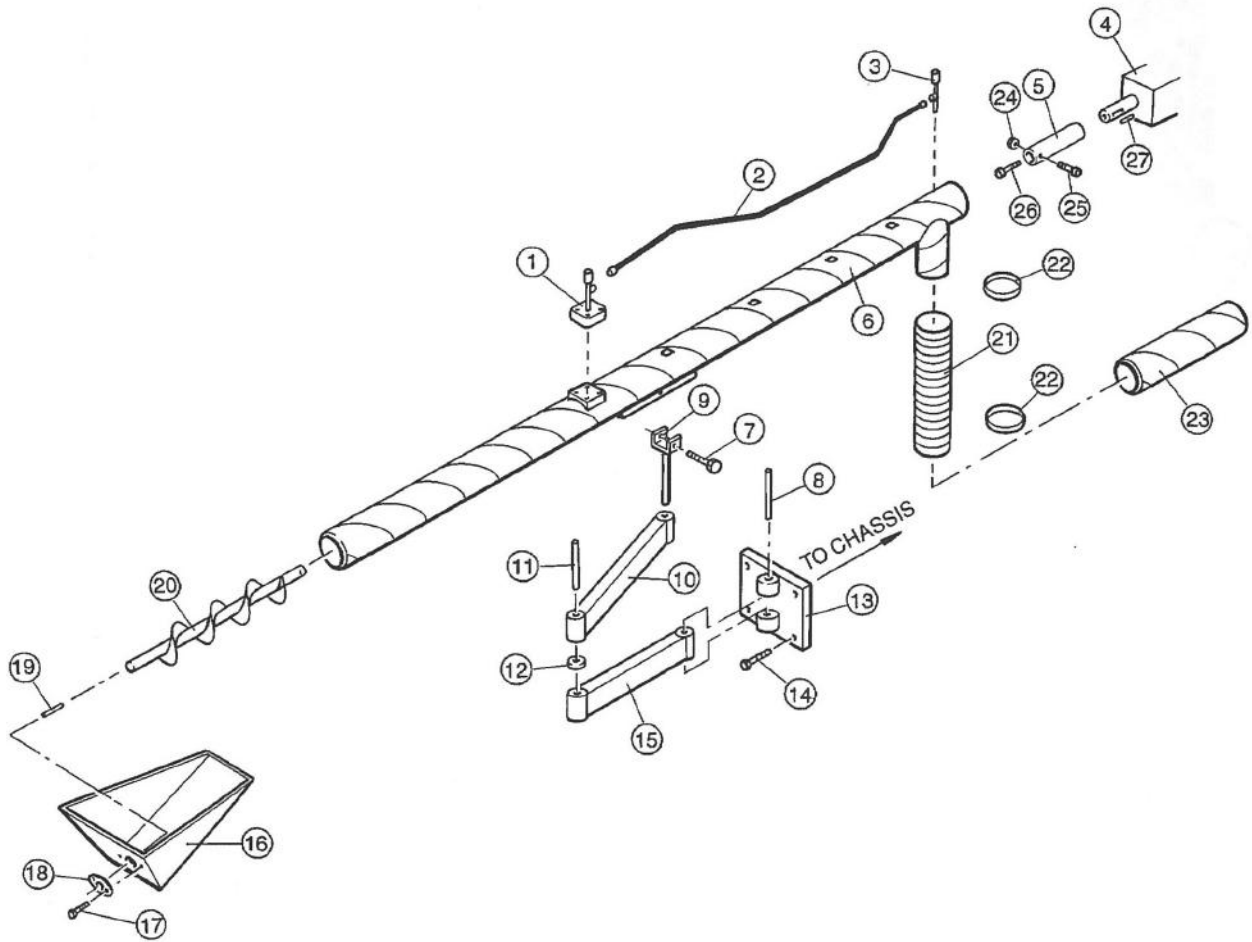
Filter Element Part # 159925385 - Used up to May 2000 - From May used 159424400

Item	Part #	Description
1	163109241	Oil Cooler
2		Fitting
3	152421-12	3/4" S/B Hose
4		3 Way Connector Fitting
5	152611-8	1/2" Push Lock Hose
6	200122350	Relief Valve
7	14P	Pressure Filter
8	161201512	Flow Control Valve c/- Check
9		Fitting
10		Fitting
11	15210-12F50X-S	Fitting
12		Fitting
13		T Connector
14		Fitting
15		Fitting
16	152301-8	1/2" D/B Hose
17	152421-4	1/4" S/B Hose
18	259000051	Hydraulic Motor

6" Loading Auger Hydraulic Circuit – Pre 1998 Models

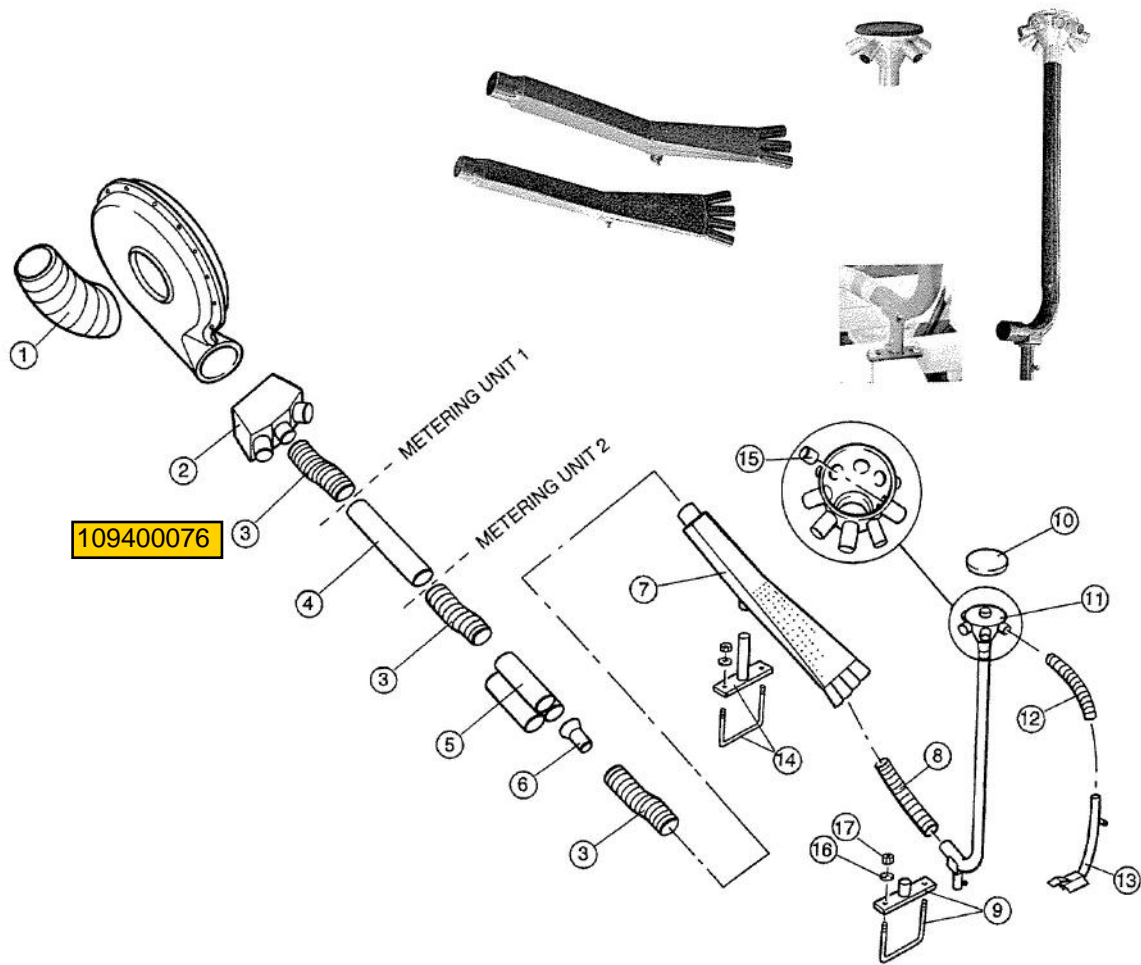


Item	Part #	Description	Supersession Numbers
1	260902198	Selector Valve	
2	161140181	Control Valve 40l / min	260902197 (80l/min)
3	260902199	Hydraulic Motor 100cc	
4	GR3D22	Clamp	
5	152301-6	3/8" Hose D/B	152301-8 (1/2" D/B Hose)
6	15210F40MXS	Fitting	15210F50X-S
7	S8-5	Fitting	
8	S7-8	Fitting	
9	S8-5	Fitting	
10	S8-11	Fitting	
11	S7-10	Fitting	
12	S67-8	Fitting	
13	S66-7	Fitting	



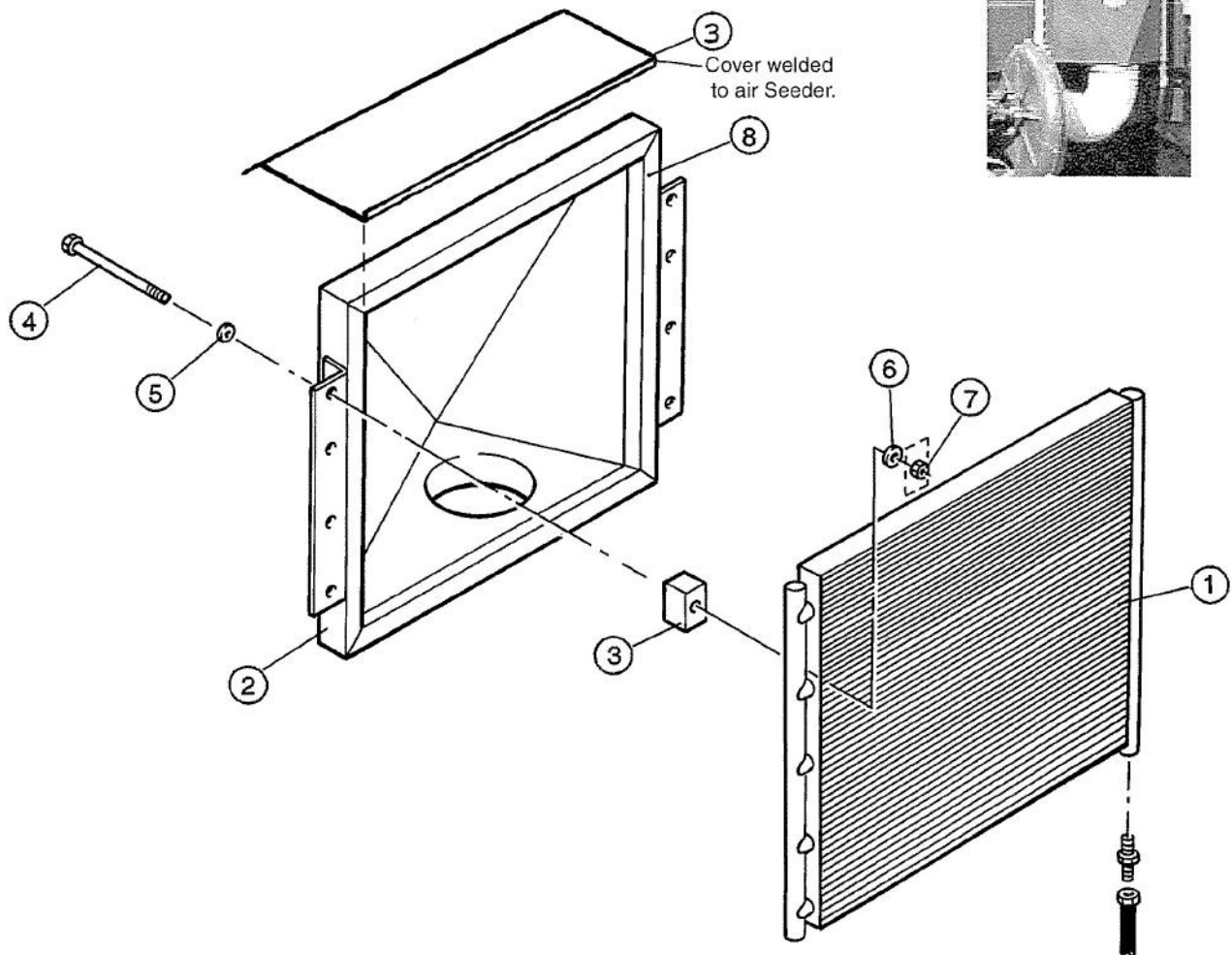
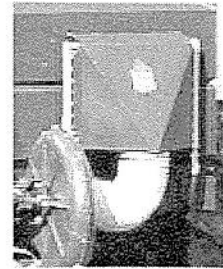
Item	Part #	Description	Item	Part #	Description
1	161140181	Hydraulic Valve	13		Mounting Plate
2		Linkage	14	000130255	Bolt 1/2" x 1"
**3	261457017	Handle M8 x 150	15	261332011	Pivot Arm Lower
4	260902199	Hydraulic Motor	16	261453001	Hopper 6"
5	261452004	Input Shaft Adaptor	17	000100385	Bolt 3/8" x 1 1/2"
6	261306001	Barrel WA	18	135220516	1" Bearing EW205
7	000161005	Bolt 5/8" x 4"	19	261452003	Shaft Adaptor
8	261303001	Pin 1" x 233mm	20	261452001	Flight
9	261300001	Adjusting Pin	21	109150150	6" Flexible Hose
10	261332002	Upper Pivot Arm	22	101140160	Hose Clamp 6"
11	261305005	1" Pin	23		Barrel Extension
12	AU-8-011	Nylon Washer	24	000130385	Bolt 1/2" x 1 1/2"
**3B	261457013	Handle M10 x 150			

Distribution System – Pre 1998 Models



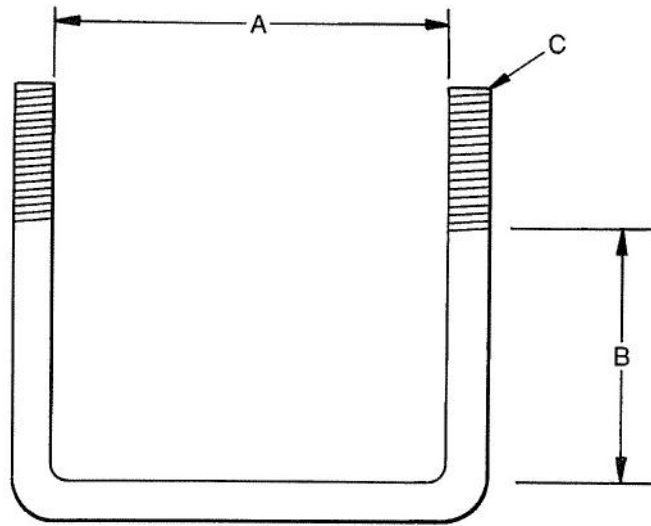
Item	Part #	Description	Item	Part #	Description
1	109500200	8" Nyladuct Hose		286055101	Sec Head 5 Way x 2"
2	259300000	Blower Outlet 3 Way		286065101	Sec Head 6 Way x 2"
3	109500076	3" Suction Hose		286075101	Sec Head 7 Way x 2"
4		Flow Through Tube		286085101	Sec Head 8 Way x 2"
5		Flow Through Hose Holder		286095101	Sec Head 9 Way x 2"
6	208076050	Air Restrictor 2"		286105101	Sec Head 10 Way x 2"
7	285251001	Primary Divider 2 Way		286066301	Sec Head 6 Way x 2 1/2"
7B	285344001	Primary Divider 3 Way		286076301	Sec Head 7 Way x 2 1/2"
7C	285444001	Primary Divider 4 Way		286086301	Sec Head 8 Way x 2 1/2"
8	109500045	1 3/4" Suction Hose		286096301	Sec Head 9 Way x 2 1/2"
8B	109500051	2" Suction Hose		286106301	Sec Head 10 Way x 2 1/2"
9	NLA	Refer 288404002			
	020.....	U Bolt Size as Required	12	BRO31	Barflow Hose 1 1/4 "
10	197060052	Rubber Head Cap	12B	109500032	Smooth Bore Hose 1 1/4"
11	286044401	Sec Head 4 Way x 1 3/4"	13	PB-...	Sowing Boot suit Tyne
	286054401	Sec Head 5 Way x 1 3/4"	14	287000001	Primary Mount 2 1/2" & 4" Bar
	286064401	Sec Head 6 Way x 1 3/4"		287000025	Primary Mount 5" – 6" Bar
	286074401	Sec Head 7 Way x 1 3/4"		287000021	Primary mount 6" – 8" Bar
	286084401	Sec Head 8 Way x 1 3/4"	15	SD-EP18	Blank Off Plug suit Aluminum Head
	286094401	Sec Head 9 Way x 1 3/4"	16	035110351	3/8" Flat Washer
	286104401	Sec Head 10 Way x 1 3/4"	17	030130101	Nyloc Nut 3/8"

Oil Cooler & Mounting Kit – Pre 1998 Models



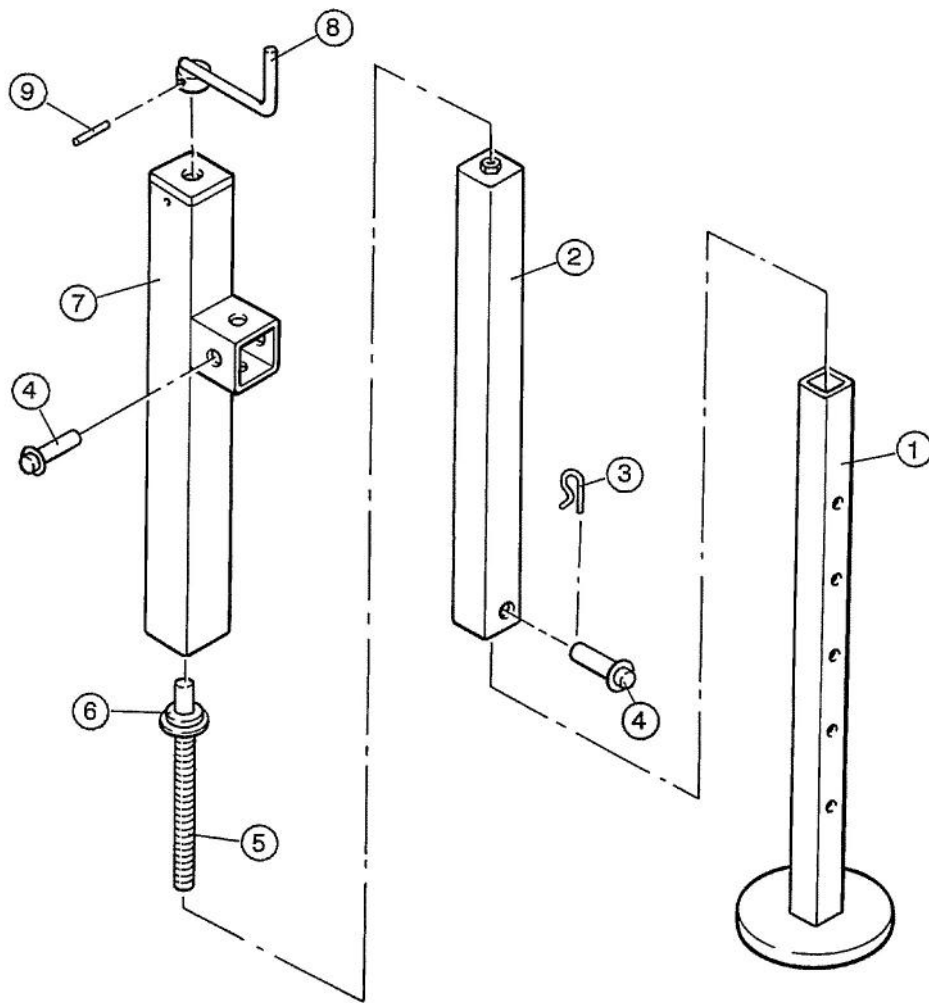
Item	Part #	Description
1	163109241	Oil Cooler
2	205200011	Cooler Shroud
3	205200017	Dust Cover
4	000061155	Bolt 1/4" x 4 1/2"
5	035106151	Washer 1/4" x 9/16" ZP
6	035106151	Washer 1/4" x 9/16" ZP
7	030130061	Nyloc Nut 1/4"
8	TESA-24	Foam Tape
9	197203050	Rubber Mount Block

U-Bolts



Thread Size "C"	Wide "A"	Deep "B"	Part #	Description
3/8"	1 1/2"	1 1/2"	020038038	U Bolt 3/8" X 1 1/2" X 1 1/2" UNC
3/8"	2"	2"	020050050	U Bolt 3/8" X 2" X 2" UNC
3/8"	2 1/2"	2"	020064050	U Bolt 3/8" X 2 1/2" X 2" UNC
3/8"	2 1/2"	3"	020064075	U Bolt 3/8" 2 1/2" X 3" UNC
3/8"	3"	3"	020075075	U Bolt 3/8" x 3" x 3" UNC
3/8"	3 1/2"	3 1/2"	020089089	U Bolt 3/8" X 3 1/2" X 3 1/2" UNC
3/8"	4"	2"	020100050	U Bolt 3/8" X 4" X 2" UNC
3/8"	4"	3 1/2"	020100090	U Bolt 3/8" X 4" X 3 1/2" UNC
3/8"	4"	4"	020100100	U Bolt 3/8" X 4" X 4" UNC
3/8"	4"	6"	020100150	U Bolt 3/8" X 4" X 6" UNC
3/8"	5"	5"	020127127	U Bolt 3/8" x 5" x 5" UNC
3/8"	6"	4"	020150100	U Bolt 3/8" X 6" X 4" UNC
3/8"	6"	6"	020150150	U Bolt 3/8" X 6" X 6" UNC
3/8"	7"	7"	020178178	U Bolt 3/8" X 7" X 7" UNC
3/8"	8"	8"	020200200	U Bolt 3/8" X 8" X 8" UNC
1/2"	2"	2"	021050050	U Bolt 1/2" X 2" X 2" UNC
1/2"	2"	3"	021050075	U Bolt 1/2" X 2" X 3" UNC
1/2"	2 1/2"	2 1/2"	021064064	U Bolt 1/2" X 2 1/2" X 2 1/2" UNC
1/2"	3"	3"	021075075	U Bolt 1/2" X 3" X 3" UNC
1/2"	3"	4"	021075100	U Bolt 1/2" X 3" X 4" UNC
1/2"	3 1/2"	3 1/2"	021090090	U Bolt 1/2" X 3 1/2" X 3 1/2" UNC
1/2"	4"	4"	021100100	U Bolt 1/2" X 4" X 4" UNC
1/2"	4"	8"	021100200	U Bolt 1/2" X 4" X 8" UNC
5/8"	3"	3"	022075075	U Bolt 5/8" X 3" X 3" UNC
5/8"	3 1/2"	3 1/2"	022090090	U Bolt 5/8" X 3 1/2" X 3 1/2" UNC
5/8"	4"	4"	022100100	U Bolt 5/8" x 4" x 4" UNC
5/8"	6"	2 1/2"	022150065	U Bolt 5/8" X 6" X 2 1/2" UNC
5/8"	6"	4"	022150100	U Bolt 5/8" X 6" X 4" UNC
5/8"	7"	7"	022178178	U Bolt 5/8" X 7" X 7" UNC
5/8"	8"	8"	022200200	U Bolt 5/8" x 8" x 8" UNC
5/8"	178	178	022178178	U Bolt 5/8"x178x178 RHS (NFG)
3/4"	3 1/2"	3 1/2"	023090090	U Bolt 3/4" X 3 1/2" X 3 1/2" UNC
3/4"	4"	4"	023150150	U Bolt 3/4" X 4" X 4" UNC
3/4"	6"	4"	023150100	U Bolt 3/4" X 6" X 4" UNC
3/4"	7"	7"	023175175	U Bolt 3/4" X 7" X 7" UNC
3/4"	8"	8"	023200200	U Bolt 3/4" X 8" X 8" UNC

Manual Jack – Pre 1998 Models

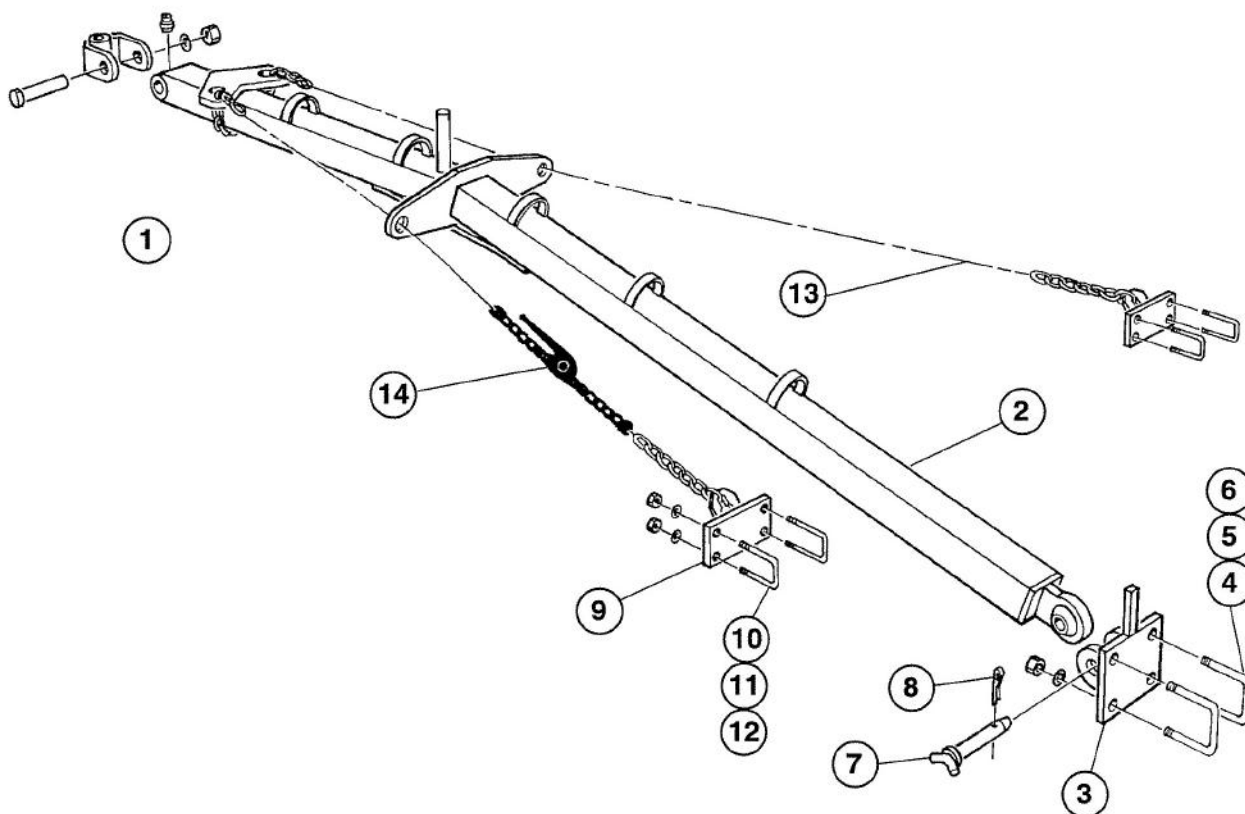


Item	Part #	Description
1	JK-001	Adjustable Leg
2	JK-002	Inner Housing
3	LP-008	R Pin
4	JK-003	Locking Pin
5	JK-004	Screw Mechanism
6	51104	Thrust Bearing
7	JK-005	Outer Housing
8	JK-006	Handle
9	090105025	Roll Pin 3/16" x 1"

Most of the above parts are NLA

Order Part # 235460001 Jack WA

Stiff Bar Assembly – Pre 1998 Models



Item	Part #	Description
1		Stiff Bar Kit
2	233260001	Stiff Bar WA (1" Ends)
3	SB-2005	Centre Mount WA 1/2" Suit 3" – 4" Bar
4	021100100	U Bolt suit 4" x 4" Bar (4" x 4" x 1/2")
4B	021075075	U Bolt suit 3" x 3" Bar (3" x 3" x 1/2")
5	030130131	Nyloc Nut 1/2" UNC
6	035113250	Flat washer 1/2"
7	SB-2007	Pin Cultivator End 1"
8	095110036	Lynch Pin 3/8"
9	233260030	Chain Mount Suit 5/8" U bolts 3"-4" Bar
10	022100100	U Bolt Suit 4" x 4" Bar (4" x 4" x 5/8")
10B	022075075	U Bolt Suit 3" x 3" Bar (3" x 3" x 5/8")
11	030130161	Nyloc Nut 5/8" UNC
12	035116351	Flat Washer 5/8"
13	099118003	Chain 8mm
14	099434506	Chain Binder (no hooks)

Always check pin size with customer before ordering parts