



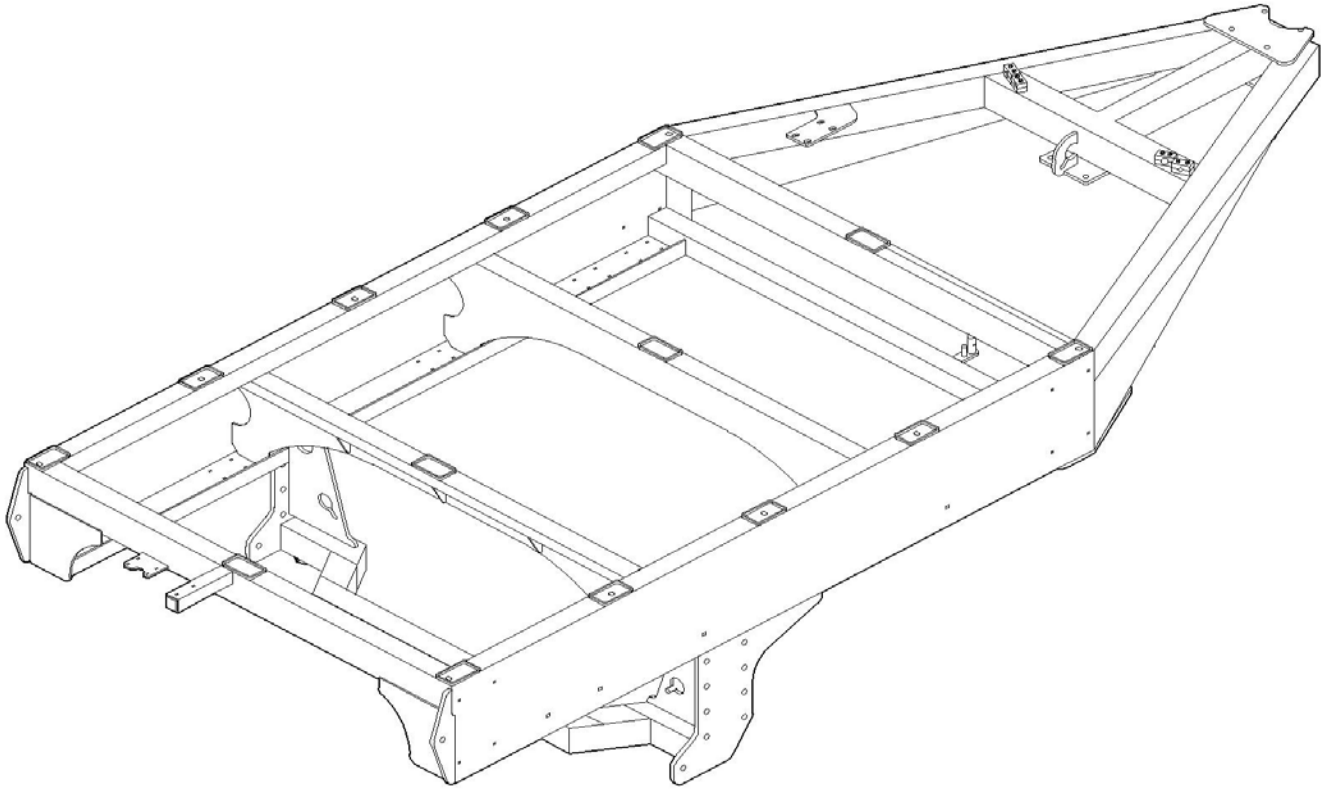
Simplicity
AUSTRALIA

PM005 PARTS LISTING

Parts Manual to suit 1998 - 2004 Models
TR, TB, TQ fitted with 6 way metering units

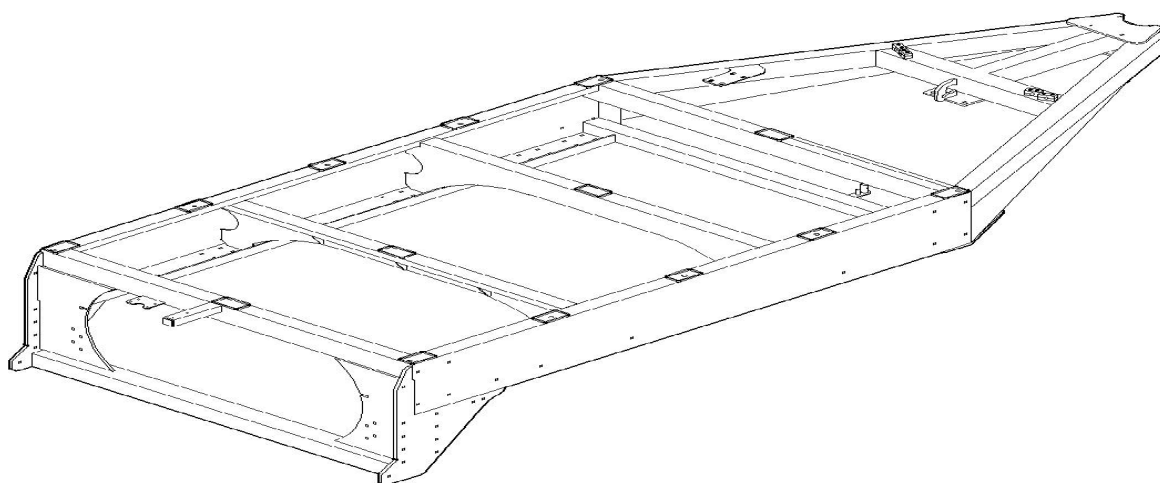


6000 Trailed Rear (TR) Chassis



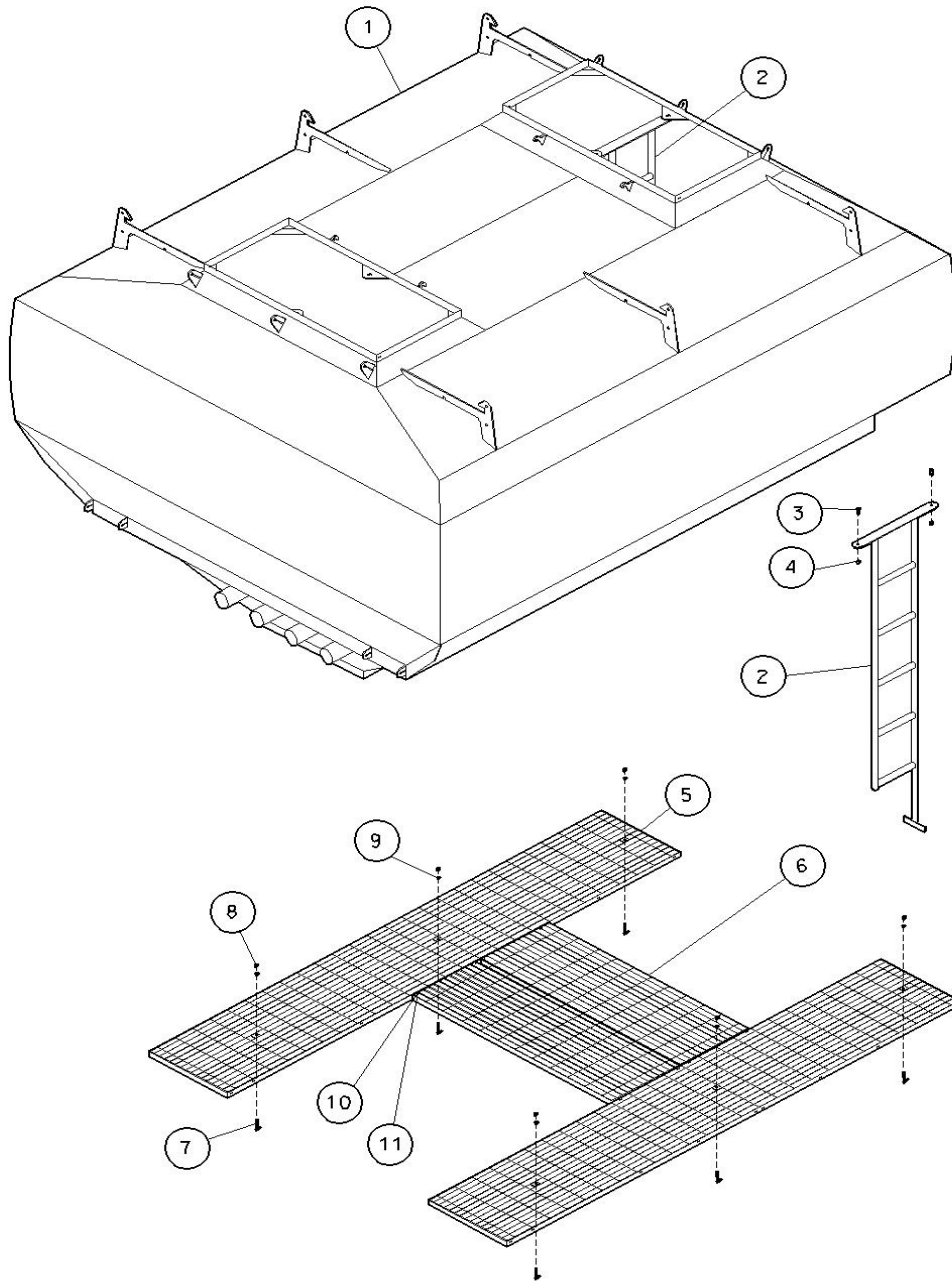
No.	Part No.	Description	6000
	217602001	Chassis TR2 6000 WA	1
	217603001	Chassis TR3 6000 WA	1

Steer Quad (TQS) Chassis



	Part No.	Description	6000	9000	12000	15000
2 Bin	214602000	Chassis TQ2 6-9-12000 WA	1	1	1	
3 Bin	214603000	Chassis TQ3 6/9/12000 WA	1	1	1	
3 Bin	214154001	Chassis TQ3 15000 WA				1

Double Bin



When ordering - quote length and width of Walkway required



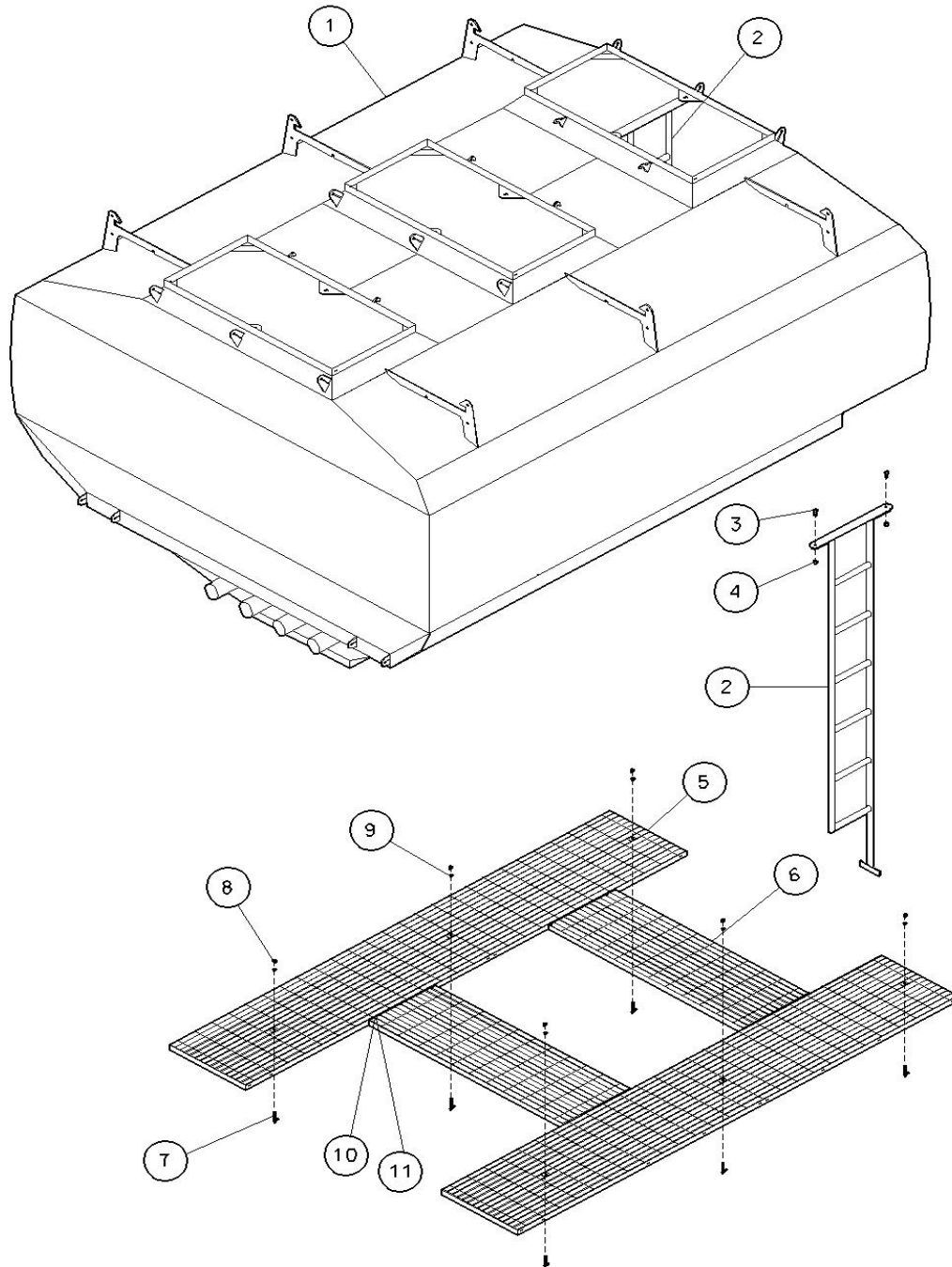
6000/9000/12000 Double Bin

Item #	Part #	Description	Qty		
			6000	9000	12000
1	200602001	Bin 6000 2 Bin WA	1		
1	200902001	Bin 9000 2 Bin WA		1	
1	200122001	Bin 12000 2 Bin WA			1
2	202901001	Ladder Inner WA 9000 Bin		2	
2	202121001	Ladder Inner WA 12000/15000/17000 Bin WA			2
3	000100255	Bolt H/Head 3/8" UNC x 1" Gr5 Zp		4	4
4	030130101	Nyloc Nut 3/8" UNC Zp		4	4
4	035110191	Flat Washer Zp 3/8" ID X 3/4" OD X 1.5mm		4	4
5	193453260	Walkway Serated Grating 453 x 2600mm Gal	2	2	2
6	193393065	Walkway Serated Grating 393 x 650mm Gal	2		
6	193393115	Walkway Serated Grating 393 x 1150mm Gal		2	2
7	057080000	Bolt Walkway 'J' 8mm Zp (WA-6-003)	6	6	6
8	080121000	Nut Metric Nyloc Crs Zp M10	6	6	6
9	035108161	Flat Washer Zp 5/16" ID x 5/8" OD	6	6	6
10	000100255	Bolt H/Head 3/8" UNC x 1" Gr5 Zp	8	8	8
11	030130101	Nyloc Nut 3/8" UNC Zp	8	8	8
11	035110191	Flat Washer Zp 3/8" ID X 3/4" OD X 1.5mm	16	16	16

NOT SHOWN	207602001	Divider Body 6000 WA	2		
	207902001	Divider Body 9000 WA		2	
	207122001	Divider Body 12000 WA			2
	000060195	Bolt H/Head 1/4" UNC x 3/4" Gr5 Zp	56	76	86
	030130061	Nyloc Nut 1/4" UNC Zp	56	76	86
	035106161	Flat Washer 1/4" ID x 5/8" Od Punched	112	152	172

When ordering - quote length and width of Walkway required

Triple Bin



When ordering - quote length and width of Walkway required



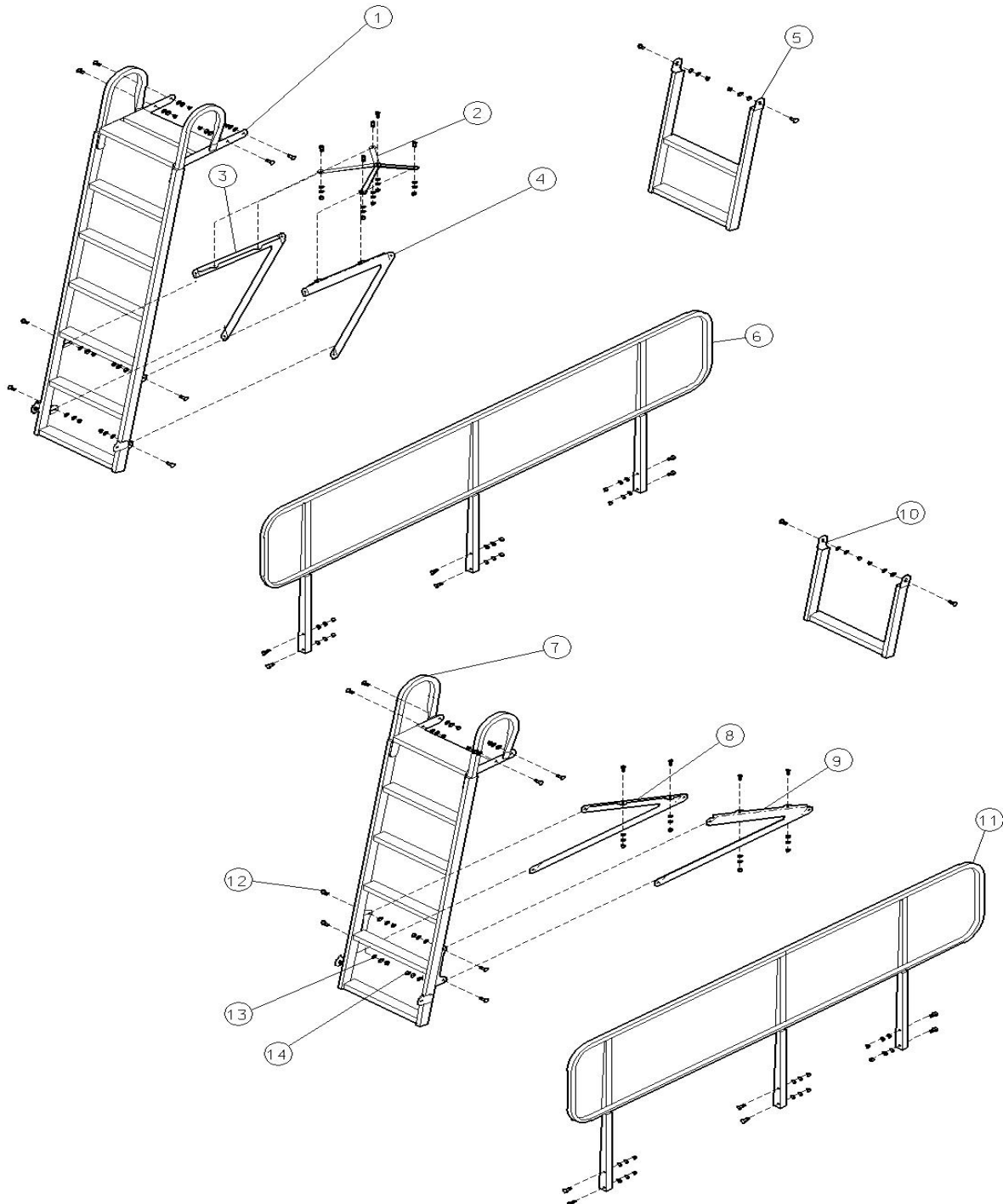
6000/9000/12000 Triple Bin

Item #	Part #	Description	Qty		
			6000	9000	12000
1	200603000	Bin 6000 Triple Assembly	1		
1	200903000	Bin 9000 3 Bin Assembly		1	
1	200123000	Bin 12000 3 Bin Assembly			1
2	202901001	Ladder Inner WA 9000 Bin		3	
2	202121001	Ladder Inner WA 12000/15000/17000 Bin WA			3
3	000100255	Bolt H/Head 3/8" UNC x 1" Gr5 Zp		6	6
4	030130101	Nyloc Nut 3/8" UNC Zp		6	6
4	035110191	Flat Washer Zp 3/8" ID X 3/4" OD X 1.5mm		6	6
5	193453260	Walkway Serated Grating 453 x 2600mm Gal	2	2	2
6	193393065	Walkway Serated Grating 393 x 650mm Gal	2		
6	193393115	Walkway Serated Grating 393 x 1150mm Gal		2	2
7	057080000	Bolt Walkway 'J' 8mm Zp (WA-6-003)	6	6	6
8	080121000	Nut Metric Nyloc Crs Zp M10	6	6	6
9	035108161	Flat Washer Zp 5/16" ID x 5/8" OD	6	6	6
10	000100255	Bolt H/Head 3/8" UNC x 1" Gr5 Zp	8	8	8
11	030130101	Nyloc Nut 3/8" UNC Zp	8	8	8
11	035110191	Flat Washer Zp 3/8" ID X 3/4" OD X 1.5mm	16	16	16

NOT SHOWN	207602001	Divider Body 6000 WA	4		
	207902001	Divider Body 9000 WA		4	
	207122001	Divider Body 12000 WA			4
	000060195	Bolt H/Head 1/4" UNC x 3/4" Gr5 Zp	108	162	170
	030130061	Nyloc Nut 1/4" UNC Zp	108	162	170
	035106161	Flat Washer 1/4" ID x 5/8" Od Punched	216	324	340

When ordering - quote length and width of Walkway required

Ladders and Handrails



**External Ladders
6000/9000/12000**

Item #	Part #	Description	Qty			
			6000	9000	12000	15000
1	202125001	Ladder 12000/15000 WA			1	1
1	202600001	Ladder 6000/9000 WA	1	1		
2	202600006	LADDER CROSS STAY	2	2	2	2
2	000100255	Bolt H/Head 3/8" UNC x 1" Gr5 Zp	5	5	5	
2	030130101	Nyloc Nut 3/8" UNC Zp	5	5	5	
2	035110191	Flat Washer Zp 3/8" ID X 3/4" OD X 1.5mm	10	10	10	
3	202123001	Ladder 12000/15000 Stay LH			1	1
4	202902001	Ladder 9000 Stay LH		1		
4	202123002	Ladder 12000/15000 Stay RH			1	1
4	202902002	Ladder 9000 Stay RH		1		
5	202900001	Ladder 9/12000 Extension 2 Step WA		1	1	
6	206122001	Walkway Handrail 12000 WA			1	
6	206153001	Handrail 15000 WA				1
7		Ladder WA suits pre 1999 model only	1			
8	202602001	Ladder 6000 Stay LH	1			
9	202602002	Ladder 6000 Stay RH	1			
10	202601001	Ladder 6000 Extension 1 Step	1			
11	206602001	Handrail WA 6000 & 9000	1	1		
12	000100255	Bolt H/Head 3/8" UNC x 1" Gr5 Zp	14	14	14	
13	030130101	Nyloc Nut 3/8" UNC Zp	28	28	28	
14	035110191	Flat Washer Zp 3/8" ID X 3/4" OD X 1.5mm	14	14	14	

NOT SHOWN

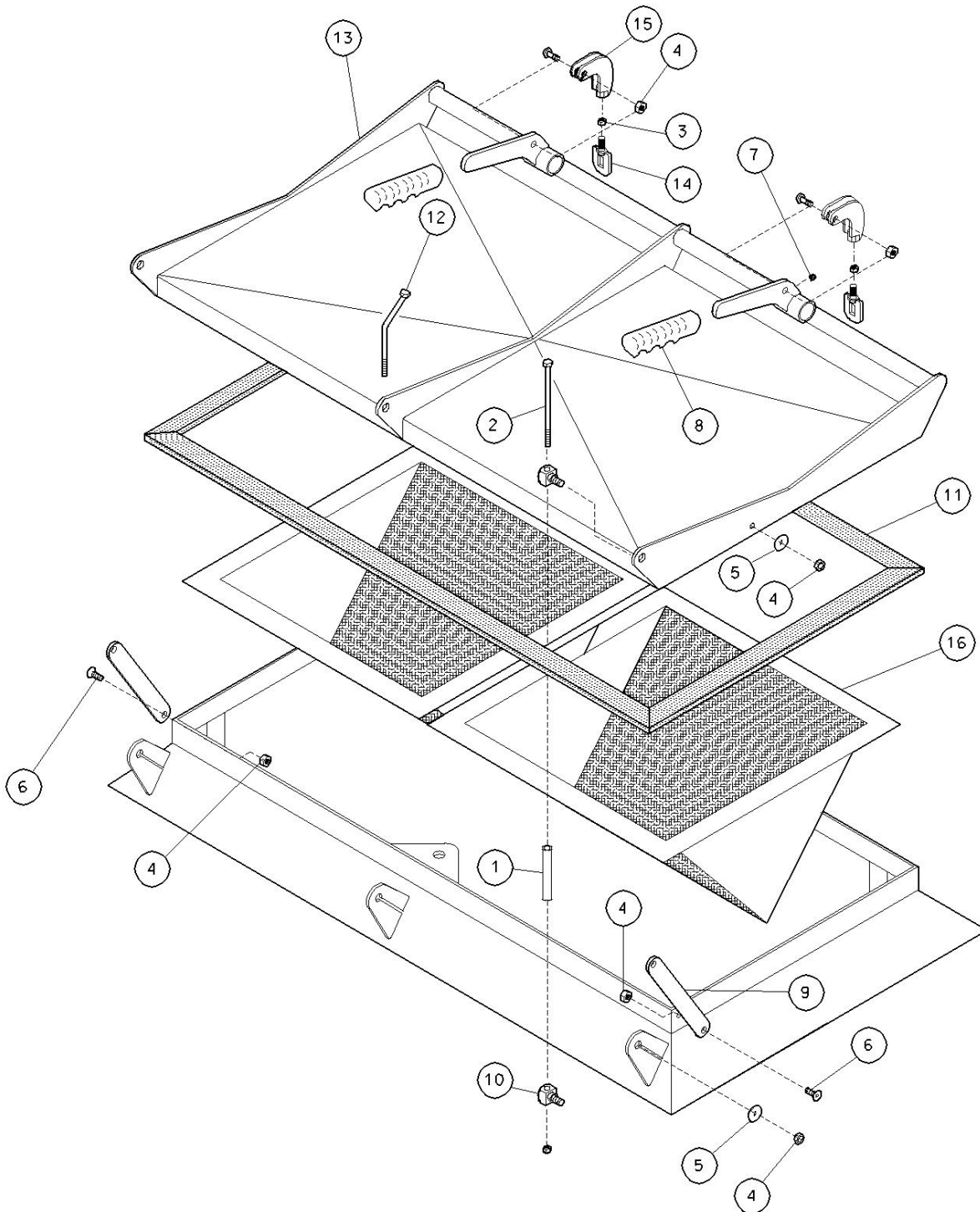
202120001	Ladder Extension 3 Step 15000 WA	A/R	A/R	A/R	1
-----------	----------------------------------	-----	-----	-----	---

Standard Lid Assy
520mm x 520mm Square

Suits all 1500 / 2500 / 3000 / 4500 & 6000 Models
and all Small Seeds Boxes Fitted to the Round Shape Bins

Item #	Part #	Description	Qty		
			1 Bin	2 Bin	3 Bin
1	203154004	Bin Lid Adjustable Hinge Spacer	2	4	6
2	000101395	Bolt H/Head 3/8" UNC X 5 1/2" Gr5 Zp	2	4	6
3	030110101	Nut UNC Zp Hex 3/8"	2	4	6
4	030130101	Nyloc Nut 3/8" UNC Zp	6	12	18
5	035110191	Flat Washer Zp 3/8" ID X 3/4" OD X 1.5mm	8	16	24
6	012110025	Cap Screw C/Sunk Zp UNC 3/8" X 1"	2	4	6
7	111206000	Grease Nipple 1/4" UNF Straight	1	2	3
8	197020115	Handle Grip CN 19.05mm x 110mm 550 Black	1	2	3
9	203154006	Bin Lid Tilt Hinge Plate	2	4	6
10	197525265	Lid Rubber Seal 520 x 520 x 6.5mm	1	2	3
11	203154005	Bin Lid Adjustable Swivel	4	8	13
12	203153001	Bin Lid Loop WA	1	2	3
13	203154001	Bin Lid Toggle WA	1	2	3
14	000080325	Bolt H/Head 5/16" UNC X 1 1/4" Gr5 Zp	1	2	3
15	203150001	Medium Lid WA	1	2	3
16	203155001	Bin Wire Basket Assy 560mm x 560mm WA	1	2	3
17	030130081	Nyloc Nut 5/16" UNC Zp	1	2	3

Large Lid Assembly
Suits 9000 / 12000 / 15000 Models

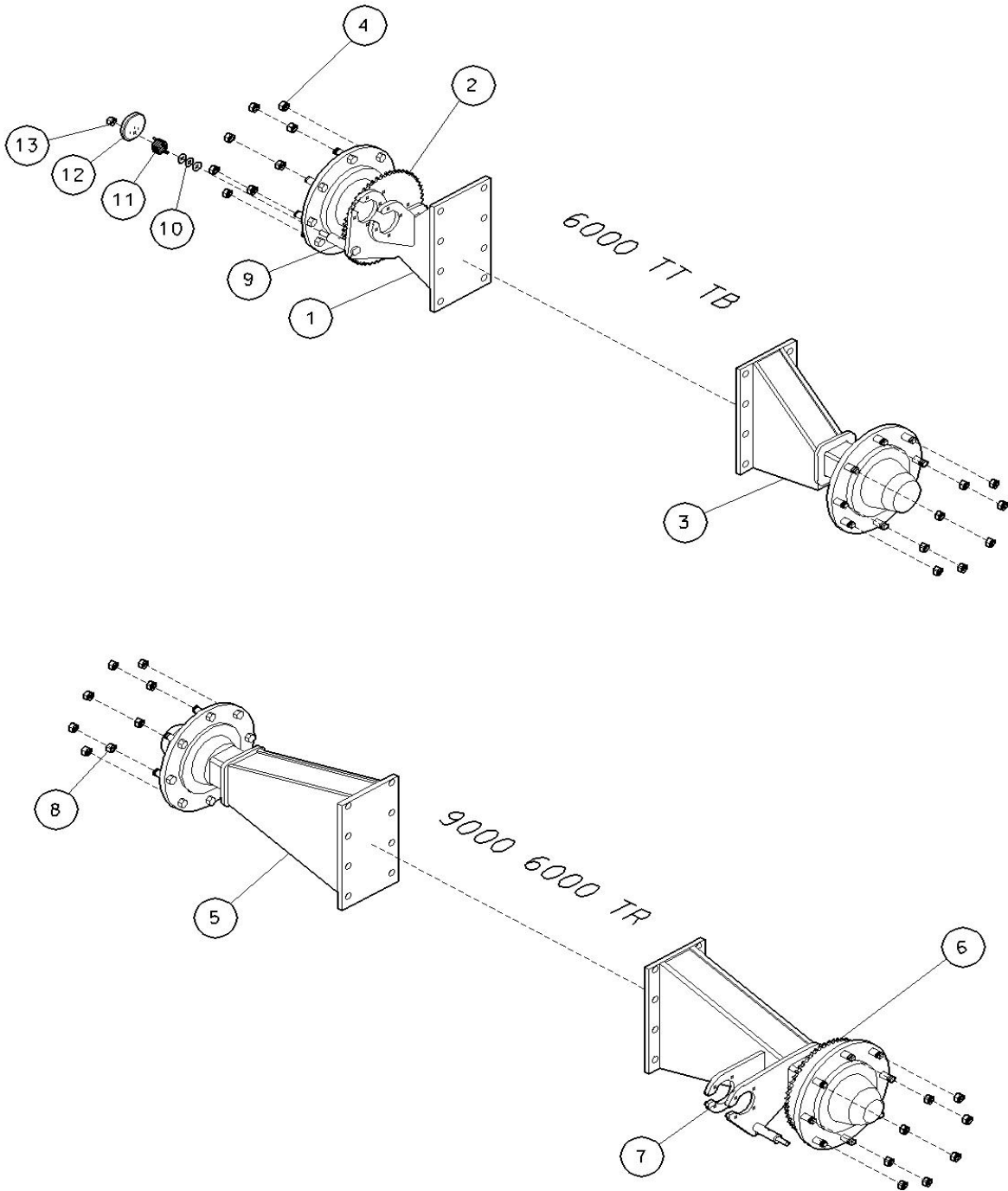




Wide Lid Assy 9000/12000/15000
203900000 Large Lid Kit 9000/15000

Item #	Part #	Description	Qty		
			1 Bin	2 Bin	3 Bin
1	203154004	Bin Lid Adjustable Hinge Spacer	3	6	9
2	000101395	Bolt H/Head 3/8" UNC X 5 1/2" Gr5 Zp	2	4	6
3	030110101	Nut UNC Zp Hex 3/8"	2	4	6
4	030130101	Nyloc Nut 3/8" UNC Zp	8	16	24
5	035110191	Flat Washer Zp 3/8" ID X 3/4" OD X 1.5mm	4	8	12
6	012110025	Cap Screw C/Sunk Zp UNC 3/8" X 1"	4	8	12
7	111206000	Grease Nipple 1/4" UNF Straight	2	4	6
8	197020115	Handle Grip CN 19.05mm x 110mm 550 Black	2	4	6
9	203154006	Bin Lid Tilt Hinge Plate	2	4	6
10	203154005	Bin Lid Adjustable Swivel	5	10	15
11	197115265	Lid Rubber Seal 1020 x 520 x 6.5mm 21.5mm WA	1	2	3
12	203900008	Large Lid Centre Bolt (Bent) & Swivel Sub Assy	1	2	3
13	203900001	Large Lid WA	2	4	6
14	203153001	Bin Lid Loop WA	2	4	6
15	203154001	Bin Lid Toggle WA	2	4	6
16	203155001	Bin Wire Basket Assy 560mm x 560mm WA	2	4	6
17	000080325	Bolt H/Head 5/16" UNC X 1 1/4" Gr5 Zp	2	4	6
18	030130081	Nyloc Nut 5/16" UNC Zp	2	4	6

Stub Axle & Hub Assemblies 
Suit 6000 and 9000 Models





**Simplicity Made Stub & Hub 6000 TQ/TB/TR
FITTED WITH STANDARD TYRES**

See next Page For Andys & Fad Brands

Item #	Part #	Description	Qty		
			TQS	TR	TB
1	242600000	TQ 6000 Drive Axle & Hub 8 Stud Assembly	1		
1	240600000	TB Drive Axle & Hub 6000 8 Stud Assembly			1
2	249150542	Sprocket Steel Plate BS 5/8" x 54T - 140 Id Zp	1	1	1
3	243600000	TQ 6000 Lazy Axle & Hub 8 Stud Assembly	1		
3	241600000	TB 6000 Lazy Axle & Hub 8 Stud Assembly			1
4	080161801	Wheel Nut M18 x 1.5mm Zp Simplicity	8	8	8
5	245600000	TR 6000 Lazy Axle & Hub 8 Stud Assembly		1	
6	249150542	Sprocket Steel Plate BS 5/8" x 54T - 140 Id Zp	1	1	1
7	244600000	TR 6000 Drive Axle & Hub 8 Stud Assembly		1	
7	245600001	TR 6000 Lazy Axle WA		1	
8	080161801	Wheel Nut M18 x 1.5mm Simplicity (Qty per Wheel)	8	8	8
9	090105025	Roll Pin 3/16" x 1" Zp	1	1	1
10	035113250	Flat Washer Zp 1/2" Id x 1" Od	A/R	A/R	A/R
11	124112025	Spring Torsion RH 1" Shaft (S28A)	1	1	1
11B	124112026	Spring Torsion LH 1" Shaft (S28B) M/Drive		1	
12	290000045	Tensioner - Nylon 80 Dia. (TS-2536)	1	1	1
13	030130131	Nyloc Nut 1/2" UNC Zp	1	1	1

**Simplicity Made Stub & Hub 6000 TQ/TB/TR (Folded Style)
Fitted With Optional Tyres and 9000 with Standard Tyres**

Item #	Part #	Description	Qty		
			TQS	TR	TB
1	242900000	TQ/TB Drive Axle & Hub 8 Stud Assembly (9000)	1		1
2	249150542	Sprocket Steel Plate BS 5/8" x 54T - 140 Id Zp	1	1	1
3	243900000	TQ/TB Lazy Axle & Hub 8 Stud Assembly (9000)	1		1
4	080161801	Wheel Nut M18 x 1.5mm Zp Simplicity	8	8	8
5	245600000	TR 6000 Lazy Axle & Hub 8 Stud Assembly		1	
6	249150542	Sprocket Steel Plate BS 5/8" x 54T - 140 Id Zp	1	1	1
7	244600000	TR 6000 Drive Axle & Hub 8 Stud Assembly		1	
7	245600001	TR 6000 Lazy Axle WA		1	
8	080161801	Wheel Nut M18 x 1.5mm Simplicity (Qty per Wheel)	8	8	8
9	090105025	Roll Pin 3/16" x 1" Zp	1	1	1
10	035113250	Flat Washer Zp 1/2" Id x 1" Od	A/R	A/R	A/R
11	124112025	Spring Torsion RH 1" Shaft (S28A)	1	1	1
11B	124112026	Spring Torsion LH 1" Shaft (S28B) M/Drive		1	
12	290000045	Tensioner - Nylon 80 Dia. (TS-2536)	1	1	1
13	030130131	Nyloc Nut 1/2" UNC Zp	1	1	1

See Bearing Reference Pages For Andys, Fad and Simplicity Brand Bearing Sizes

Bearing Reference

Brand	Model	Type			Inner Brg	Outer Brg	Hub Cap Details	Studs	Seal Size	Notes:	
ANDY	15000	TQ	Rear	Standard	110R x 10 Stud	32217	32215	Cast Bolt On 6 Stud 180mm	22 x 79	110x150x12	tripple lip
ANDY	15000	TQ	Rear	Option	110R x 10 Stud	32217	32215	Cast Bolt On 6 Stud 180mm	22 x 79	110x150x12	tripple lip
ANDY	15000	TT	Rear	Standard	110R x 10 Stud	32217	32215	Cast Bolt On 6 Stud 180mm	22 x 79	110x150x12	tripple lip
ANDY	12000	TB	Rear	Standard	110R x 10 Stud	32217	32215	Cast Bolt On 6 Stud 180mm	22 x 79	110x150x12	tripple lip
ANDY	12000	TB	Rear	Option	110R x 10 Stud	32217	32215	Cast Bolt On 6 Stud 180mm	22 x 79	110x150x12	tripple lip
FAD	12000	TQ	Front	Standard	90H Sq x 8 Stud	32216	32212	Push On Cap 100MM OD	18 X 50	100x140x12	tripple lip
ANDY	12000	TQ	Rear	Standard	92Rx 10 Stud	32216	30311	Cast Bolt On 4 Stud 140MM (Stamped 90)	22 x 79	100x140x12	tripple lip
FAD	12000	TQ	Front	Option	90H Sq x 8 Stud	32216	32212	Push On Cap 100MM OD	20 x 62	100x140x12	
ANDY	12000	TQ	Rear	Option	110R x 10 Stud	32217	32215	Cast Bolt On 6 Stud 180mm	22 x 79	110x150x12	tripple lip
ANDY	12000	TT	Rear	Standard	92Rx 10 Stud	32216	30311	Cast Bolt On 4 Stud 140MM (Stamped 90)	22 x 79	100x140x12	tripple lip
ANDY	12000	TT	Front	Standard	80Sq x 6 Stud	32210	32213	Cast Bolt On 3 Stud 110MM STAMPED (70)	18 X 60	90x125x12	tripple lip
ANDY	12000	TT	Front	Option	80Sq x 6 Stud	32210	32213	Cast Bolt On 3 Stud 110MM STAMPED (70)	18 X 60	90x125x12	tripple lip
ANDY	12000	TT	Rear	Option	110R x 10 Stud	32217	32215	Cast Bolt On 6 Stud 180mm	22 x 79	110x150x12	tripple lip
FAD	9000	TB	Rear	Standard	90H Sq x 8 Stud	32216	32212	Push On Cap 100MM OD	20 x 62	100x140x12	
ANDY	9000	TB	Rear	Option	92Rx 10 Stud	32216	30311	Cast Bolt On 4 Stud 140MM (Stamped 90)	22 x 79	100x140x12	tripple lip
FAD	9000	TQ	Rear	Standard	90H Sq x 8 Stud	32216	32212	PUSH ON CAP 100MM OD	20 x 62	100x140x12	
ANDY	9000	TQ	Front	Standard	80 Sq x 8 Stud	30214	30210	Cast Bolt On 3 Stud 110MM Stamped (80)	18 X 60	90x125x12	tripple lip
ANDY	9000	TQ	Rear	Option	92Rx 10 Stud	32216	30311	Cast Bolt On 4 Stud 140MM (Stamped 90)	22 x 79	100x140x12	tripple lip
FAD	9000	TT	Rear	Standard	90H Sq x 8 Stud	32216	32212	Push On Cap 100MM OD	20 x 62	100x140x12	
ANDY	9000	TT	Front	Standard	80Sq x 6 Stud	32210	32213	Cast Bolt On 3 Stud 110MM STAMPED (70)	18 X 60	90x125x12	tripple lip
ANDY	8200	TT	Rear	Standard	80H Sq x 8 Stud	30214	30210	Cast Bolt On 3 Stud 110MM Stamped (80)	18 X 60	90x125x12	tripple lip
FAD	8200	TT	Rear	Standard	80H Sq x 8 Stud	32215	32211	Push On Cap 100MM OD	18 X 50	90x130x12	
FAD	8200	TT	Front	Standard	80Sq x 6 Stud	32215	32211	Push On Cap 100MM OD	18 X 50	90x130x12	
FAD	6000	TB	Rear	Standard	80H Sq x 8 Stud	32215	32211	Push On Cap 100MM OD	18 X 50	90x130x12	
ANDY	6000	TB	Rear	Standard	80 Sq x 8 Stud	30214	30210	Cast Bolt On 3 Stud 110MM Stamped (80)	18 X 60	90x125x12	tripple lip
FAD	6000	TB	Rear	Option	90H Sq x 8 Stud	32216	32212	Push On Cap 100MM OD	20 x 62	100x140x12	
ANDY	6000	TQ	Rear	Standard	80 Sq x 8 Stud	30214	30210	Cast Bolt On 3 Stud 110MM Stamped (80)	18 X 60	90x125x12	tripple lip
FAD	6000	TQ	Rear	Standard	80H Sq x 8 Stud	32215	32211	Push On Cap 100MM OD	18 X 50	90x130x12	
FAD	6000	TQ	Rear	Option	90H Sq x 8 Stud	32216	32212	Push On Cap 100MM OD	20 x 62	100x140x12	
ANDY	6000	TQ	Front	Standard	80Sq x 6 Stud	32210	32213	Cast Bolt On 3 Stud 110MM STAMPED (70)	18 X 60	90x125x12	tripple lip
FAD	6000	TR	Rear	Standard	90H Sq x 8 Stud	32216	32212	Push On Cap 100MM OD	20 x 62	100x140x12	
ANDY	6000	TT	Rear	Standard	80 Sq x 8 Stud	30214	30210	Cast Bolt On 3 Stud 110MM Stamped (80)	18 X 60	90x125x12	tripple lip
FAD	6000	TT	Rear	Standard	80H Sq x 8 Stud	32215	32211	Push On Cap 100MM OD	18 X 50	90x130x12	
ANDY	6000	TT	Front	Standard	80Sq x 6 Stud	30214	30210	Cast Bolt On 3 Stud 110MM STAMPED (70)	18 X 60	90x125x12	tripple lip
FAD	6000	TT	Rear	Option	90H Sq x 8 Stud	32216	32212	Push On Cap 100MM OD	20 x 62	100x140x12	
FAD	5700	TB	Rear		80H Sq x 8 Stud	32215	32211	Push On Cap 100MM OD	18 X 50	90x130x12	

Bearing Reference

TYPE	BRAND	MODEL	F/R	Tyre Size	Axle Size Used	Inner Brg	Outer Brg	HUB CAPS	STUDS	SEAL SIZE
TQ	Simplicity	15000	Rear	Std. 30.5 x 32	100 x 10 Stud	33217J	33215J	Ex Whites Complete	M22 x 1.5	
TQ	Simplicity	15000	Front	Std. 24.5 x 32	92Sq x 8 Stud	32216J	30311J	4 Bolt Cast Stamped "W"hite	M22 x 1.5	
TQ	Simplicity	15000	Rear	Opt. 30.5 x 32	100 x 10 Stud	33217J	33215J	Ex Whites Complete	M22 x 1.5	
TQ	Simplicity	15000	Front	Opt. 24.5 x 32	92Sq x 8 Stud	32216J	30311J	4 Bolt Cast Stamped "W"hite	M22 x 1.5	
TB	Simplicity	12000	Rear	Std. 24.5 x 32	100 x 10 Stud	33217J	33215J	Ex Whites Complete	M22 x 1.5	
TB	Simplicity	12000	Rear	Opt. 30.5 x 32	100 x 10 Stud	33217J	33215J	Ex Whites Complete	M22 x 1.5	
TQ	Simplicity	12000	Rear	Std. 24.5 x 32	92Sq x 8 Stud	32216J	30311J	4 Bolt Cast Stamped "W"hite	M22 x 1.5	
TQ	Simplicity	12000	Front	Std. 23.1 x 30	92Sq x 8 Stud	32216J	30311J	4 Bolt Cast Stamped "W"hite	M22 x 1.5	
TQ	Simplicity	12000	Rear	Opt. 30.5 x 32	100 x 10 Stud	33217J	33215J	Ex Whites Complete	M22 x 1.5	
TQ	Simplicity	12000	Front	Opt. 24.5 x 32	92Sq x 8 Stud	32216J	30311J	4 Bolt Cast Stamped "W"hite	M22 x 1.5	
TB	Simplicity	9000	Rear	Std. 23.1 x 26	92Sq x 8 Stud	32216J	30311J	4 Bolt Cast Stamped "W"hite	M22 x 1.5	
TB	Simplicity	9000	Rear	Opt. N/A						
TQ	Simplicity	9000	Rear	Std. 23.1 x 30	92Sq x 8 Stud	32216J	30311J	4 Bolt Cast Stamped "W"hite	M22 x 1.5	
TQ	Simplicity	9000	Front	Std. 18.4 x 30	75Sq x 8 Stud	30214J	30210J	3 Bolt Cast Stamped "S"	M18 x 1.5	
TQ	Simplicity	9000	Rear	Opt. 24.5 x 32	92Sq x 8 Stud	32216J	30311J	4 Bolt Cast Stamped "W"hite	M22 x 1.5	
TQ	Simplicity	9000	Front	Opt. 23.1 x 30	92Sq x 8 Stud	32216J	30311J	4 Bolt Cast Stamped "W"hite	M22 x 1.5	
TB	Simplicity	6000	Rear	Std. 18.4 x 26	75Sq x 8 Stud	30214J	30210J	3 Bolt Cast Stamped "S"	M18 x 1.5	
TB	Simplicity	6000	Rear	Opt. 23.1 x 26	92Sq x 8 Stud	32216J	30311J	4 Bolt Cast Stamped "W"hite	M22 x 1.5	
TQ	Simplicity	6000	Rear	Std. 18.4 x 30	75Sq x 6 Stud	30214J	30210J	3 Bolt Cast Stamped "S"	M18 x 1.5	
TQ	Simplicity	6000	Front	Std. 15.5/80-24	75Sq x 6 Stud	30214J	30210J	3 Bolt Cast Stamped "S"	M18 x 1.5	
TQ	Simplicity	6000	Rear	Opt. 23.1 x 30	92Sq x 8 Stud	32216J	30311J	4 Bolt Cast Stamped "W"hite	M22 x 1.5	
TQ	Simplicity	6000	Front	Opt. 18.4 x 30	75Sq x 8 Stud	30214J	30210J	3 Bolt Cast Stamped "S"	M18 x 1.5	
TR	Simplicity	6000	Rear	Std. 18.4 x 30	75Sq x 8 Stud	30214J	30210J	3 Bolt Cast Stamped "S"	M18 x 1.5	
TR	Simplicity	6000	Rear	Opt. 23.1 x 30	92Sq x 8 Stud	32216J	30311J	4 Bolt Cast Stamped "W"hite	M22 x 1.5	
TR	Simplicity	4500	Rear	Std. 18.4 x 30	75Sq x 8 Stud	30214J	30210J	3 Bolt Cast Stamped "S"	M18 x 1.5	
TR	Simplicity	4500	Rear	Opt. 23.1 x 30	92Sq x 8 Stud	32216J	30311J	4 Bolt Cast Stamped "W"hite	M22 x 1.5	
TB	Simplicity	4500	Rear	Std. 18.4 x 26	75Sq x 8 Stud	30214J	30210J	3 Bolt Cast Stamped "S"	M18 x 1.5	
TB	Simplicity	4500	Rear	Opt. 23.1 x 26	92Sq x 8 Stud	32216J	30311J	4 Bolt Cast Stamped "W"hite	M22 x 1.5	
TQC	Simplicity	4500	Rear	Std. 15.5/80-24	75Sq x 6 Stud	30214J	30210J	3 Bolt Cast Stamped "S"	M18 x 1.5	
TQC	Simplicity	4500	Rear	Opt. N/A						
TR	Simplicity	3000	Rear	Std. 15.5/80-24	75Sq x 6 Stud	30214J	30210J	3 Bolt Cast Stamped "S"	M18 x 1.5	
TR	Simplicity	3000	Rear	Opt. 18.4 x 30	75Sq x 8 Stud	30214J	30210J	3 Bolt Cast Stamped "S"	M18 x 1.5	
TQL	Simplicity	9000	Rear	Std. 24.5 x 32	92Sq x 8 Stud	32216J	30311J	4 Bolt Cast Stamped "W"hite	M22 x 1.5	
TQL	Simplicity	9000	Front	Std. 23.1 x 30	92Sq x 8 Stud	32216J	30311J	4 Bolt Cast Stamped "W"hite	M22 x 1.5	
TQL	Simplicity	13000	Rear	Std. 30.5 x 32	100 x 10 Stud	33217J	33215J	Ex Whites Complete	M22 x 1.5	
TQL	Simplicity	13000	Front	Std. 24.5 x 32	92Sq x 8 Stud	32216J	30311J	4 Bolt Cast Stamped "W"hite	M22 x 1.5	
TQL	Simplicity	13000	Rear	Opt. 800/65R x 32	100 x 10 Stud	33217J	33215J	Ex Whites Complete	M22 x 1.5	
TQL	Simplicity	13000	Front	Opt. 650/75R x 32	92Sq x 8 Stud	32216J	30311J	4 Bolt Cast Stamped "W"hite	M22 x 1.5	
TQL	Simplicity	17000	Rear	Std. 800/65R x 32	100 x 10 Stud	33217J	33215J	Ex Whites Complete	M22 x 1.5	
TQL	Simplicity	17000	Front	Std. 650/75R x 32	92Sq x 8 Stud	32216J	30311J	4 Bolt Cast Stamped "W"hite	M22 x 1.5	



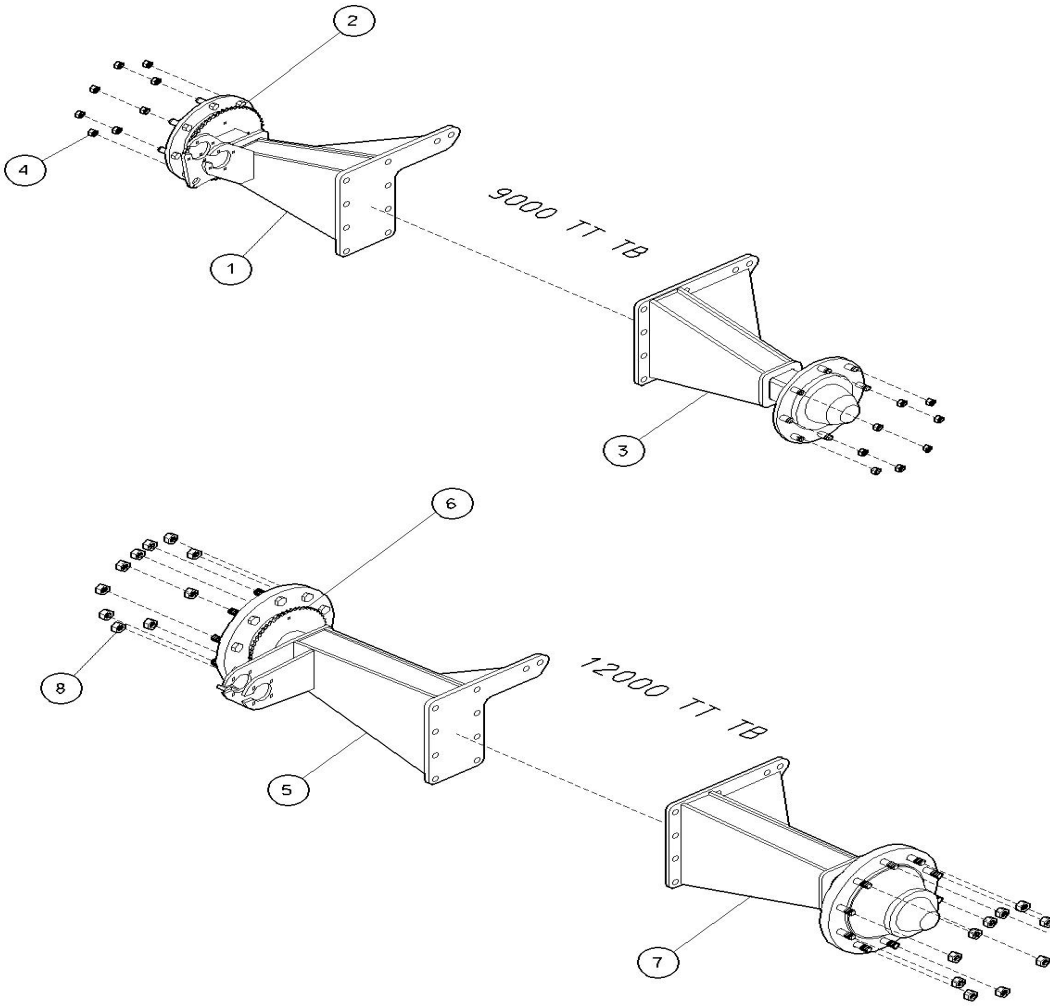
Electric Over Zero Max Option Actuator Over Zero Max

Item No.	Part No.	Description	Qty 2 Bin	Qty 3 Bin
1	130000410	Zero Max QX41 Gear Box D025800	2	3
2	209600005	Calibration Dial Pointer WA 6000	2	3
3	116900443	KEE Linak Actuator (A443)	2	3
4	209601003	Linear Actuator Main Arm	2	3
5	209601005	Linear Actuator Spring Arm	2	3
6	209601004	Linear Actuator Top Mount	2	3
7	209601002	Linear Actuator Base Plate	2	3
8	290601007	Screw Swivel Long - SS Box // Actuators	2	3
9	209600001	Rate Adjuster Screw WA	2	3
10	192017514	Calibration Dial 175 x 140 x 1mm	2	3
11	000060325	Bolt H/Head 1/4" UNC x 1 1/4" Gr5 Zp	8	12
12	124148050	Spring Linear Actuator 2.5mm x 13 ID x 70 (C-187)	2	3
13	030110061	Nut UNC Zp Hex 1/4"	4	6
14	030130061	Nyloc Nut 1/4" UNC Zp	10	15
15	010106019	Cap Screw Zp UNC 1/4" X 3/4"	2	3
16	000060325	Bolt H/Head 1/4" UNC x 1 1/4" Gr5 Zp	8	12
17	030130081	Nyloc Nut 5/16" UNC Zp	8	12
18	035108191	Flat Washer Zp 5/16" ID x 3/4" OD	8	12
19	000080255	Bolt H/Head 5/16" UNC X 1" Gr5 Zp	8	12
20	209601006	Linear Actuator Bush 10 O/D x 7 I/D x 9mm Long	8	12
21	030110081	Nut UNC Zp Hex 5/16"	8	12
22	030130101	Nyloc Nut 3/8" UNC Zp	8	12
23	111206000	Grease Nipple 1/4" UNF Straight	2	3
24	035108191	Flat Washer Zp 5/16" ID x 3/4" OD	2	3
25	000080255	Bolt H/Head 5/16" UNC X 1" Gr5 Zp	4	6
26	000100385	Bolt H/Head 3/8" UNC X 1 1/2" Gr5 Zp	8	12
27	035110191	Flat Washer Zp 3/8" ID X 3/4" OD X 1.5mm	8	12
28	013110606	Grub Screw 1/4" UNC X 1/4" Zp	2	3

Not Shown Mudguard Washer 5/16" ID x 1 3/4" OD

Stub Axle & Hub Assemblies

Suit 9000, 12000 and 15000 Models TB and TQS Models





Stub and Hub Assy 9000 TQS/TB

Fitted with Standard Tyres

Item #	Part #	Description	Qty	
			TQS	TB
1	242900000	TQ/TB Drive Axle & Hub 8 Stud Assembly (9000)	1	1
2	249150542	Sprocket Steel Plate BS 5/8" x 54T - 140 Id Zp	1	1
3	243900000	TQ/TB Lazy Axle & Hub 8 Stud Assembly (9000)	1	1
4	080161801	Wheel Nut M18 x 1.5mm Zp Simplicity	8	8

Stub and Hub Assy 12000 TQS/TB

Fitted with Standard Tyres

Item #	Part #	Description	Qty	
			TQS	TB
5	242120000	Drive Axle & Hub 12000 TQS 8 Stud Assembly	1	
5	240120001	Drive Axle & Hub WA TB 12000 10 Stud		1
6	249150543	Sprocket Steel Plate BS 5/8" x 54T - 165 Id Zp	1	
6	249150544	Sprocket Steel Plate BS 5/8" x 54T - 175 Id Zp		1
7	243120001	Lazy Axle & Hub 12000 TQS 8 stud Assembly	1	
7	241120001	Lazy Axle & Hub WA TB 12000 10 Stud		1
8	080162203	Wheel Nut M22 Whites Hub		10
8	080161801	Wheel Nut M18 x 1.5mm Zp Simplicity	8	

Stub and Hub Assy 9000 TQS

Fitted With Large Tyre Option

Item #	Part #	Description	Qty	
			9000 TQS	TB
1	242120000	Drive Axle & Hub 12000 TQS 8 Stud Assembly	1	0
2	249150543	Sprocket Steel Plate BS 5/8" x 54T - 165 Id Zp	1	0
3	243120001	Lazy Axle & Hub 12000 TQS 8 stud Assembly	1	0
4	080161801	Wheel Nut M18 x 1.5mm Zp Simplicity	8	0

Stub and Hub 12000 TB/TQ

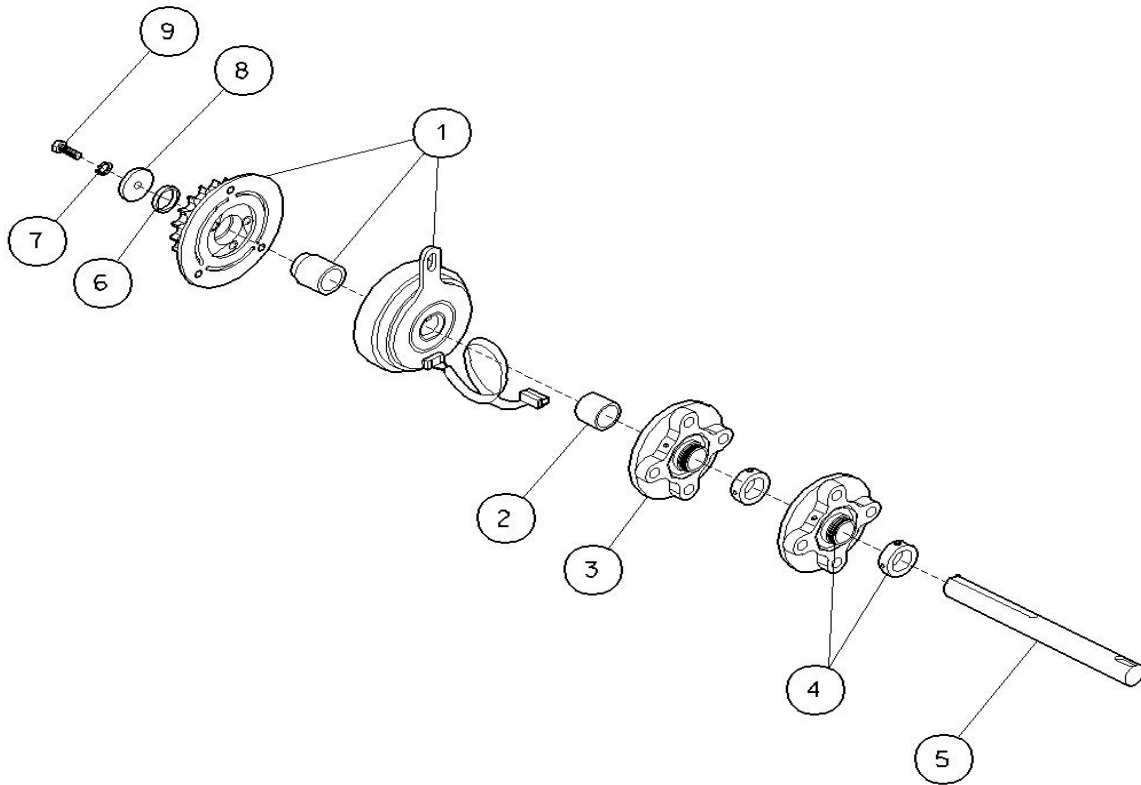
Fitted With Large Tyre Option

Item #	Part #	Description	Qty	
			TQS	TB
5	240120001	Drive Axle & Hub WA TB 12000 10 Stud	1	1
6	249150544	Sprocket Steel Plate BS 5/8" x 54T - 175 Id Zp	1	1
7	241120001	Lazy Axle & Hub WA TB 12000 10 Stud	1	1
8	080162203	Wheel Nut M22 Whites Hub	10	10

This is a guide only, it is best to get bearing numbers to confirm axle and hub size.

See Bearing reference Pages For Andy,s Fad and Simplicity Brand Bearing Sizes

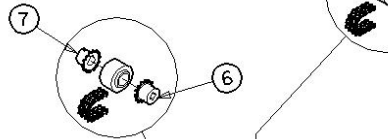
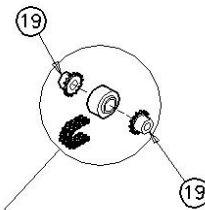
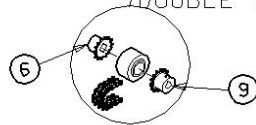
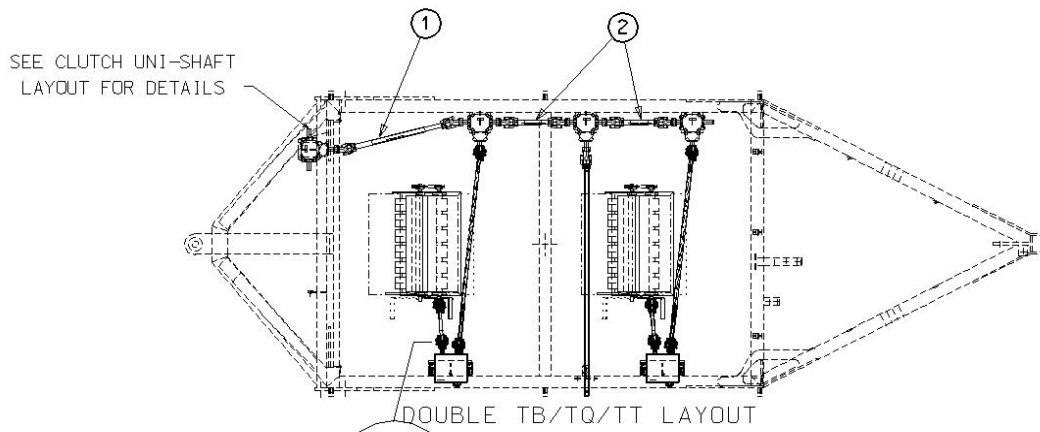
Electric Clutch



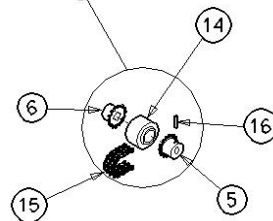
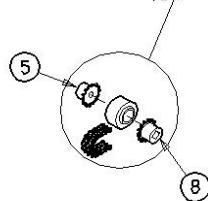
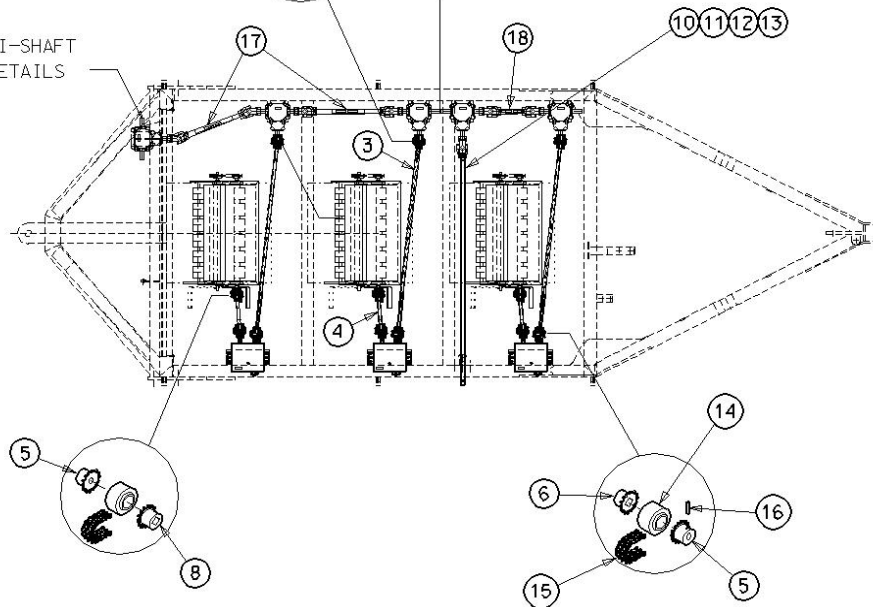


ITEM#	PART #	DESCRIPTION	QTY		
			6000	9000	12000
1	115005314	CLUTCH AND SPROCKET ASSY	1	1	1
2	EL-1402-1	SPACER BUSH	1	1	1
3	135320500	BRG HOUSING 4 BOLT FC205	2	2	2
4	135220616	BRG & LOCK COLLAR EN20516S	2	2	2
5	290000003	CLUTCH SHAFT 1" DIA. X 265mm	1	1	1
6	EL-1411	SPACER	1	1	1
7	036108000	SPRING WASHER 5/16"	1	1	1
8	290000002	RETAINING WASHER	1	1	1
9	000080255	BOLT 5/16" x 1" UNC	1	1	1

Drive Shaft Layout TB & TQ Double Bins



SEE CLUTCH UNI-SHAFT LAYOUT FOR DETAILS



Drive Shaft Layout TB & TQ Double Bins

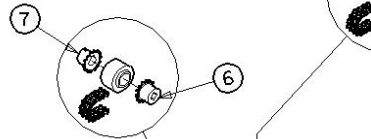
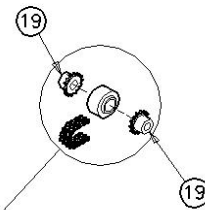
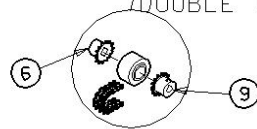
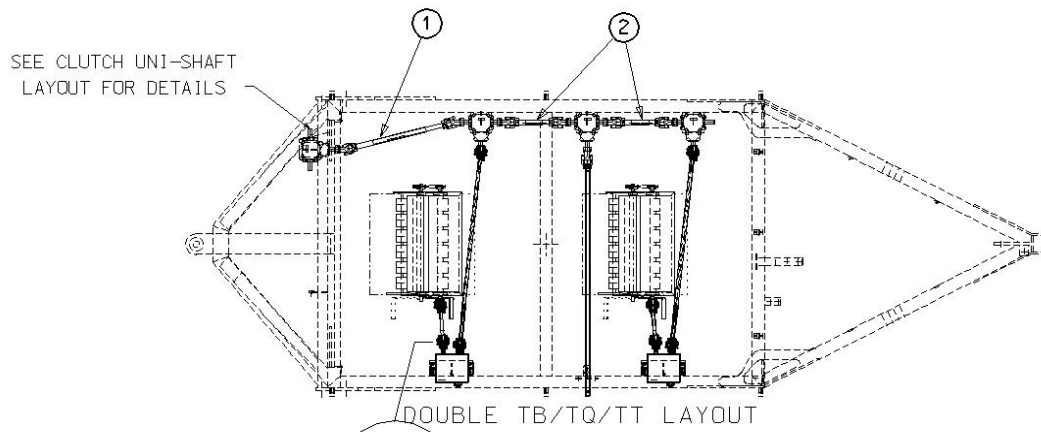


ITEM#	PART #	DESCRIPTION	QTY		
			6000 TB	6000 TQ	9000 TB
1	131210720	Drive Shaft Assy 720mm Long	1	1	1
2	131210420	Drive Shaft Assy 420mm Long	2	2	2
3	290601080	Drive Tube Female 1080mm 20 x 20 x 1.6 Duragal	2	2	2
4	290000010	Drive Tube Female 150mm 20 x 20 x 1.6 Duragal	2	2	2
5	290000032	Sprocket 14T Nylon 5/8" Bore Thin T x Long Boss	4	4	4
6 & 8	126131406	Sprocket 14T Nylon 5/8" Sq Bore Thin T x Long Boss	4	4	4
7	290000034	Sprocket 14T Nylon 1" Bore Thin T x Long Boss	2	2	2
9	290000031	Sprocket 14T Nylon 3/4" Bore Thin T x Long Boss	2	2	2
10	290602055	Crank Handle Shaft & Uni Assy	1	1	1
11	132025320	UNI Assy Dual 1" x 25mm Keyed	1	1	1
12	090106038	Roll Pin 1/4" x 1 1/2"	1	1	1
13	130010006	Gearbox 1:1 Ratio	2	2	2
14	131000004	Chain Boot	8	8	8
15	125412120	Chain 1/2" BS Duplex 13L & Con 1/2" (BS08B2)	8	8	8
16	090105044	Roll Pin 3/16" x 1 3/4" Zp	AR	AR	AR
17	131210570	Drive Shaft Assy 570mm Closed	Nil	Nil	Nil
18	131210370	Drive Shaft Assy 370mm Closed	Nil	Nil	Nil
19	127120141	Sprocket Steel Boss BS 1/2" x 14T 25mm Bore	Nil	Nil	Nil

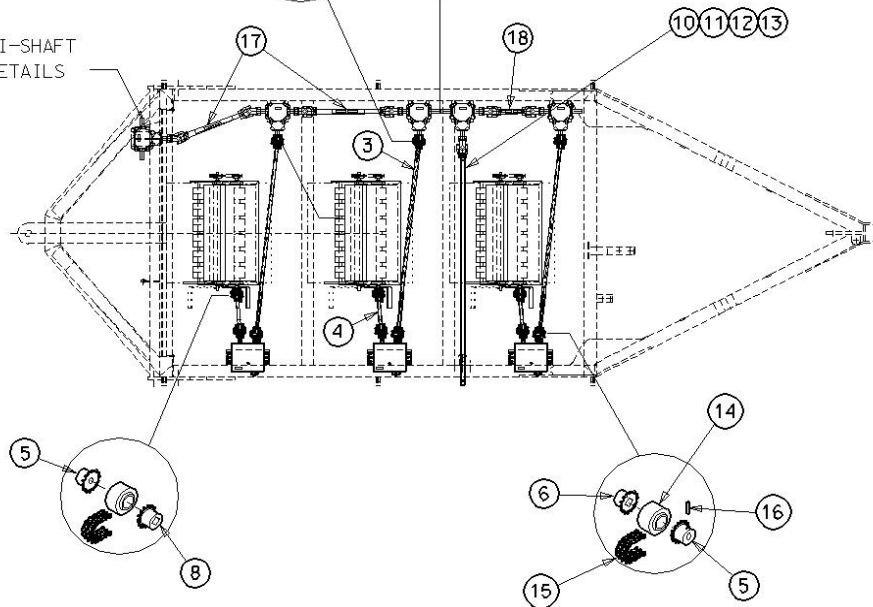
4 Not used since around 2000 - replaced with female shaft & sprocket assy part # 290000009

	PART #	DESCRIPTION	QTY		
			9000 TQ	12000 TB	12000 TQ
1	131210720	Drive Shaft Assy 720mm Long	1	1	1
2	131210420	Drive Shaft Assy 420mm Long	2	2	2
3	290601080	Drive Tube Female 1080mm 20 x 20 x 1.6 Duragal	2	2	2
4	290000010	Drive Tube Female 150mm 20 x 20 x 1.6 Duragal	2	2	2
5	290000032	Sprocket 14T Nylon 5/8" Bore Thin T x Long Boss	4	4	4
6 & 8	126131406	Sprocket 14T Nylon 5/8" Sq Bore Thin T x Long Boss	4	4	4
7	290000034	Sprocket 14T Nylon 1" Bore Thin T x Long Boss	2	2	2
9	290000031	Sprocket 14T Nylon 3/4" Bore Thin T x Long Boss	2	2	2
10	290602055	Crank Handle Shaft & Uni Assy	1	1	1
11	132025320	UNI Assy Dual 1" x 25mm Keyed	1	1	1
12	090106038	Roll Pin 1/4" x 1 1/2"	1	1	1
13	130010006	Gearbox 1:1 Ratio	2	2	2
14	131000004	Chain Boot	8	8	8
15	125412120	Chain 1/2" BS Duplex 13L & Con 1/2" (BS08B2)	8	8	8
16	090105044	Roll Pin 3/16" x 1 3/4" Zp	AR	AR	AR
17	131210570	Drive Shaft Assy 570mm Closed	Nil	Nil	Nil
18	131210370	Drive Shaft Assy 370mm Closed	Nil	Nil	Nil
19	127120141	Sprocket Steel Boss BS 1/2" x 14T 25mm Bore	Nil	Nil	Nil

Drive Shaft Layout TB & TQ Triple Bins



SEE CLUTCH UNI-SHAFT LAYOUT FOR DETAILS



NOTE: TB CHASSIS SHOWN

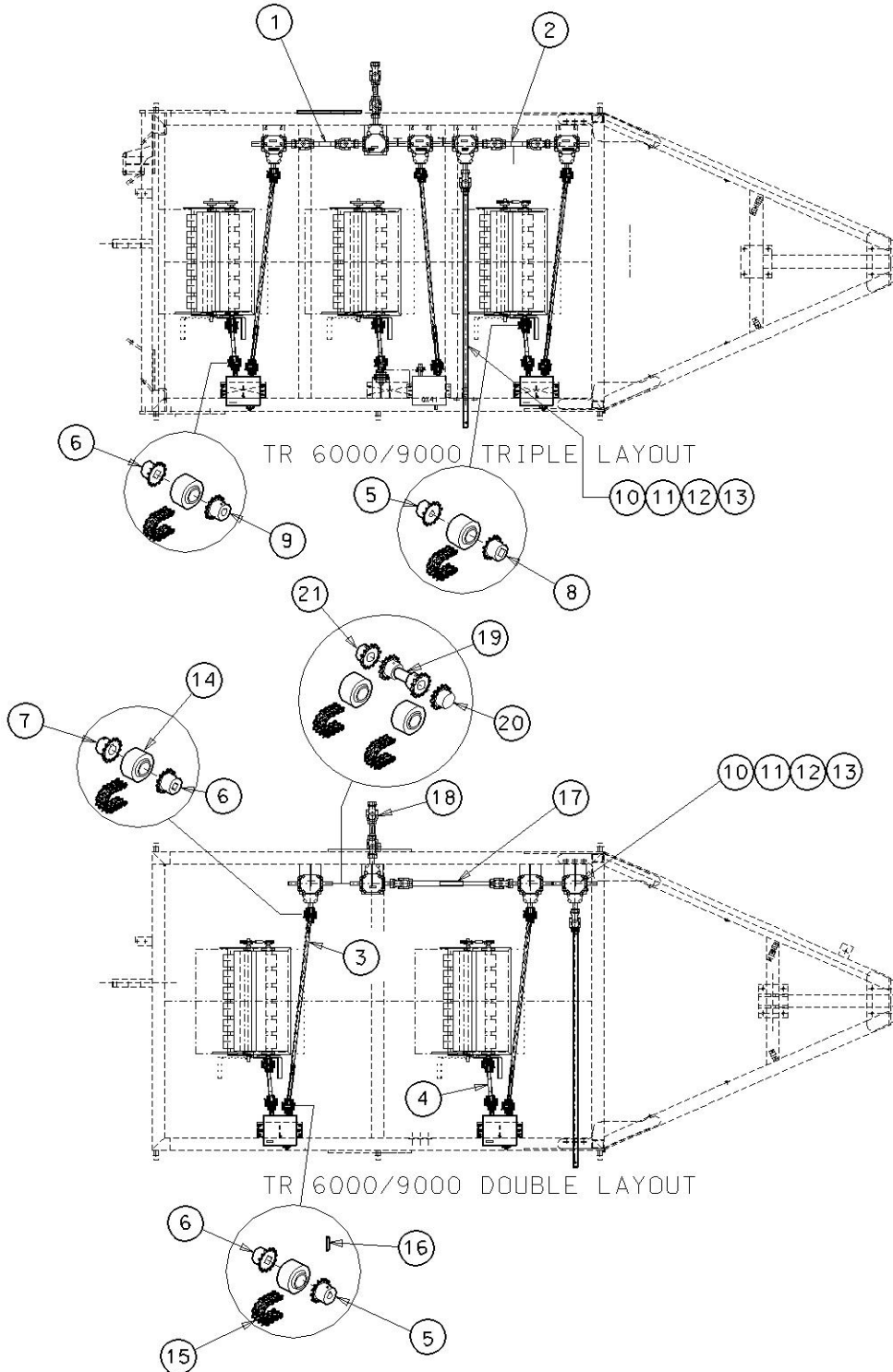
Drive Shaft Layout TB & TQ Tripple Bin (TB3 - TQ3) 

ITEM#	PART #	DESCRIPTION	QTY		
			6000 TB	6000 TQ	9000 TB
1	131210720	Drive Shaft Assy 720mm Long	Nil	Nil	Nil
2	131210420	Drive Shaft Assy 420mm Long	1	1	1
3	290601080	Drive Tube Female 1080mm 20 x 20 x 1.6 Duragal	3	3	3
4	290000010	Drive Tube Female 150mm 20 x 20 x 1.6 Duragal	3	3	3
5	290000032	Sprocket 14T Nylon 5/8" Bore Thin T x Long Boss	6	6	6
6 & 8	126131406	Sprocket 14T Nylon 5/8" Sq Bore Thin T x Long Boss	6	6	6
7	290000034	Sprocket 14T Nylon 1" Bore Thin T x Long Boss	3	3	3
9	290000031	Sprocket 14T Nylon 3/4" Bore Thin T x Long Boss	3	3	3
10	290602055	Crank Handle Shaft & Uni Assy	1	1	1
11	132025320	UNI Assy Dual 1" x 25mm Keyed	1	1	1
12	090106038	Roll Pin 1/4" x 1 1/2"	1	1	1
13	130010006	Gearbox 1:1 Ratio	2	2	2
14	131000004	Chain Boot	13	13	13
15	125412120	Chain 1/2" BS Duplex 13L & Con 1/2" (BS08B2)	13	13	13
16	090105044	Roll Pin 3/16" x 1 3/4" Zp	AR	AR	AR
17	131210570	Drive Shaft Assy 570mm Closed	2	2	2
18	131210370	Drive Shaft Assy 370mm Closed	Nil	Nil	Nil
19	127120141	Sprocket Steel Boss BS 1/2" x 14T 25mm Bore	2	2	2

* Not used since around 2000 - replaced with female shaft & sprocket assy part # 290000009

ITEM#	PART #	DESCRIPTION	QTY		
			9000 TQ	12000 TB	12000 TQ
1	131210720	Drive Shaft Assy 720mm Long	Nil	Nil	Nil
2	131210420	Drive Shaft Assy 420mm Long	1	1	1
3	290601080	Drive Tube Female 1080mm 20 x 20 x 1.6 Duragal	3	3	3
4	290000010	Drive Tube Female 150mm 20 x 20 x 1.6 Duragal	3	3	3
5	290000032	Sprocket 14T Nylon 5/8" Bore Thin T x Long Boss	6	6	6
6 & 8	126131406	Sprocket 14T Nylon 5/8" Sq Bore Thin T x Long Boss	6	6	6
7	290000034	Sprocket 14T Nylon 1" Bore Thin T x Long Boss	3	3	3
9	290000031	Sprocket 14T Nylon 3/4" Bore Thin T x Long Boss	3	3	3
10	290602055	Crank Handle Shaft & Uni Assy	1	1	1
11	132025320	UNI Assy Dual 1" x 25mm Keyed	1	1	1
12	090106038	Roll Pin 1/4" x 1 1/2"	1	1	1
13	130010006	Gearbox 1:1 Ratio	2	2	2
14	131000004	Chain Boot	13	13	13
15	125412120	Chain 1/2" BS Duplex 13L & Con 1/2" (BS08B2)	13	13	13
16	090105044	Roll Pin 3/16" x 1 3/4" Zp	AR	AR	AR
17	131210570	Drive Shaft Assy 570mm Closed	2	2	2
18	131210370	Drive Shaft Assy 370mm Closed	Nil	Nil	Nil
19	127120141	Sprocket Steel Boss BS 1/2" x 14T 25mm Bore	2	2	2

Drive Shaft Layout 6000 TR2 & 6000 TR3



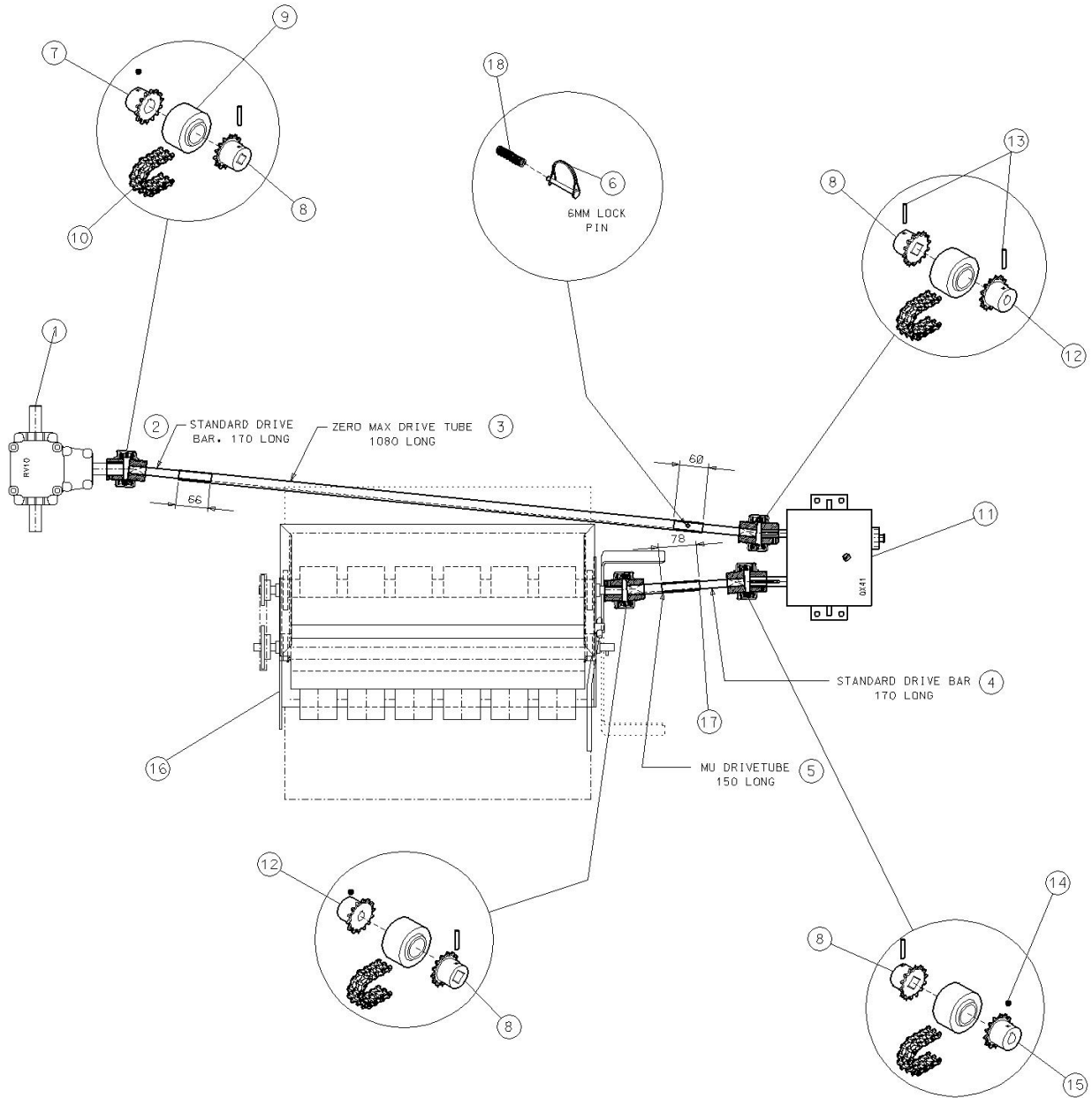
Drive Shaft Layout 6000 TR2 & 6000 TR3



ITEM#	PART #	DESCRIPTION	QTY	
			6000 TR2	6000 TR3
1 & 2	131210420	Drive Shaft Assy 420mm Long	Nil	2
3	290601080	Drive Tube Female 1080mm 20 x 20 x 1.6 Duragal	2	3
4	290000010	Drive Tube Female 150mm 20 x 20 x 1.6 Duragal	2	3
5	290000032	Sprocket 14T Nylon 5/8" Bore Thin T x Long Boss	4	6
6 & 8	126131406	Sprocket 14T Nylon 5/8" Sq Bore Thin T x Long Boss	4	6
7	290000034	Sprocket 14T Nylon 1" Bore Thin T x Long Boss	2	3
9	290000031	Sprocket 14T Nylon 3/4" Bore Thin T x Long Boss	3	3
10	290602055	Crank Handle Shaft & Uni Assy	1	1
11	132025320	UNI Assy Dual 1" x 25mm Keyed	1	1
12	090106038	Roll Pin 1/4" x 1 1/2"	1	1
13	130010006	Gearbox 1:1 Ratio	2	2
14	131000004	Chain Boot	13	13
15	125412120	Chain 1/2" BS Duplex 13L & Con 1/2" (BS08B2)	13	13
16	090105044	Roll Pin 3/16" x 1 3/4" Zp	AR	AR
17	131210570	Drive Shaft Assy 570mm Closed	2	2
18	131210370	Drive Shaft Assy 370mm Closed	Nil	Nil
19	127120141	Sprocket Steel Boss BS 1/2" x 14T 25mm Bore	2	2

* Not used since around 2000 - replaced with female shaft & sprocket assy part # 290000009

Metering Unit Drive Layout 6000 9000 & 12000 Double Bin



Metering Unit Drive Layout 6000 9000 & 12000 Double Bin



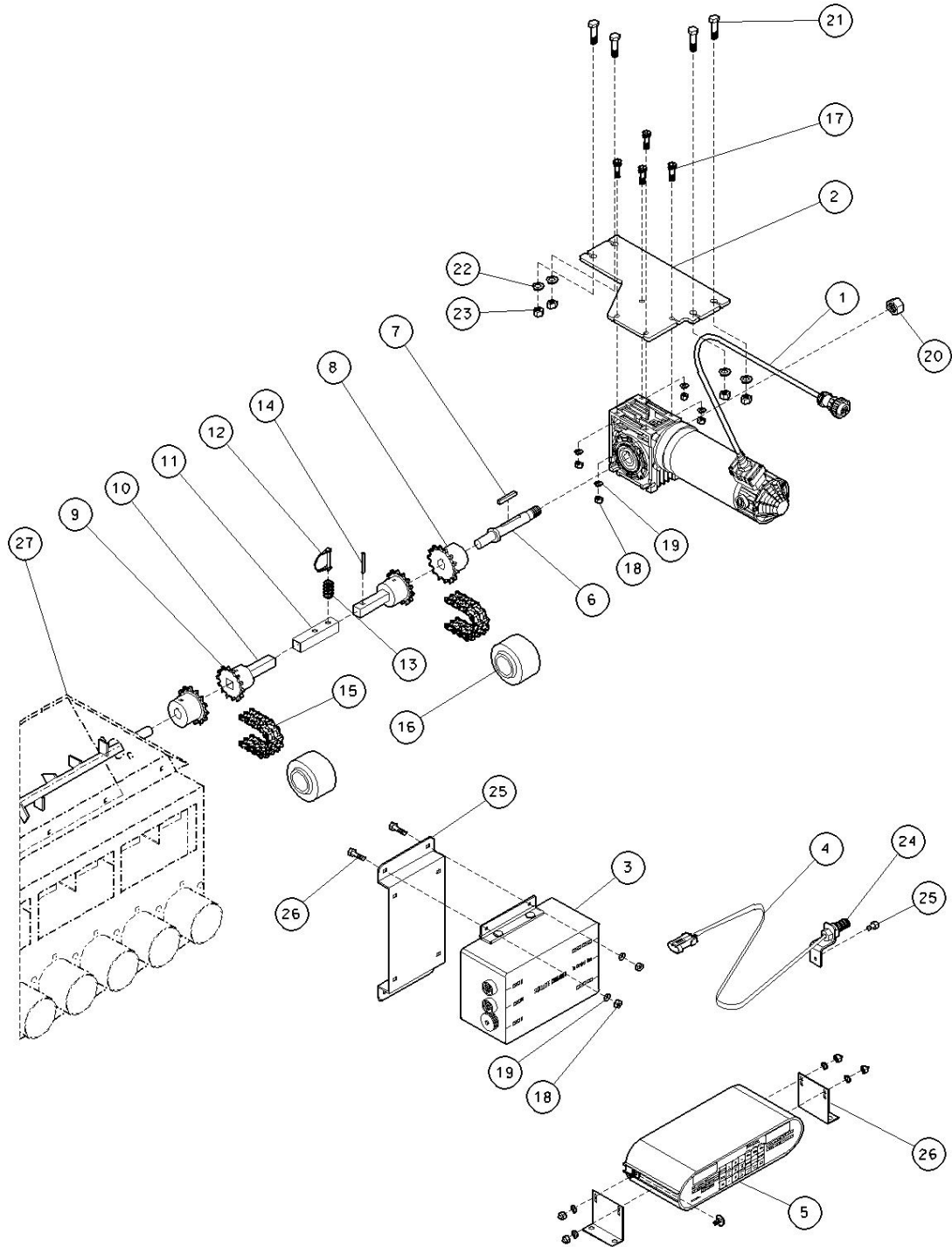
ITEM#	PART #	DESCRIPTION	QTY Per Seeder		
			6000	9000	12000
1	130010111	Gearbox RV10-111 Ratio 3.25:1	2	2	2
2 & 4	290000008	Metering Unit 170mm Drive Bar 16mm Sq	8	8	8
3	290601080	Zero Max Drive Tube 6/9/12000 (1080 Long)	2	2	2
5	290000010	Metering Unit 150mm Drive Tube 20mm F/Male	2	2	2
6	095306050	Lynch Pin 1/4" x 2" (S.271) Shaft Lock	2	2	2
7	290000034	Sprocket 14T Plastic Thin Teeth 25mm Bore Drilled/	2	2	2
8 ***	126131406	Sprocket Plastic Boss BS 1/2" x 14T Thin 16mm Sq B	8	8	8
9	131000004	Drive Shaft Rubber Chain Boot	8	8	8
10	125412120	Chain 1/2" BS Duplex 13L & Con 1/2" (BS08B2)	8	8	8
11	130000410	Zero Max QX41 Gear Box D025800	2	2	2
12 *	290000032	Sprocket Plast 14T x 5/8" Bore Thin Teeth D&T	8	8	8
13	090106038	Roll Pin 1/4" x 1 1/2"	8	8	8
14	013110606	Grub Screw 1/4" UNC X 1/4" Zp	8	8	8
15	290000031	Sprocket Plas 14T x 3/4" Bore D & T	2	2	2
16	208600000	Metering Unit 6 Way Assembly	2	2	2
17 **	TS-6-020	Drive Shaft F/Male 20mm X 90mm	2	2	2
18	124112032	Spring 1 1/4" x 1/2" 1mm Wire	2	2	2

- * Not used since around 2000 - replaced with female shaft & sprocket assy part # 290000009
- ** Only 4 used since around 2000 - replaced with female shaft & sprocket assy part # 290000009
- *** Only 6 used since around 2000 - replaced with female shaft & sprocket assy part # 290000009

Metering Unit Drive Layout 6000 9000 & 12000 Triple Bin

ITEM#	PART #	DESCRIPTION	QTY Per Seeder		
			6000	9000	12000
1	130010111	Gearbox RV10-111 Ratio 3.25:1	3	3	3
2 & 4	290000008	Metering Unit 170mm Drive Bar 16mm Sq	12	12	12
3	290601080	Zero Max Drive Tube 6/9/12000 (1080 Long)	3	3	3
5	290000010	Metering Unit 150mm Drive Tube 20mm F/Male	3	3	3
6	095306050	Lynch Pin 1/4" x 2" (S.271) Shaft Lock	3	3	3
7	290000034	Sprocket 14T Plastic Thin Teeth 25mm Bore Drilled/	3	3	3
8	126131406	Sprocket Plastic Boss BS 1/2" x 14T Thin 16mm Sq B	12	12	12
9	131000004	Drive Shaft Rubber Chain Boot	20	20	20
10	125412120	Chain 1/2" BS Duplex 13L & Con 1/2" (BS08B2)	20	20	20
11	130000410	Zero Max QX41 Gear Box D025800	3	3	3
12 *	290000032	Sprocket Plast 14T x 5/8" Bore Thin Teeth D&T	6	6	6
13	090106038	Roll Pin 1/4" x 1 1/2"	12	12	12
14	013110606	Grub Screw 1/4" UNC X 1/4" Zp	12	12	12
15	290000031	Sprocket Plas 14T x 3/4" Bore D & T	3	3	3
16	208600000	Metering Unit 6 Way Assembly	3	3	3
17 *	TS-6-020	Drive Shaft F/Male 20mm X 90mm	3	3	3
18	124112032	Spring 1 1/4" x 1/2" 1mm Wire	3	3	3

Electric Drive Option (KEE)

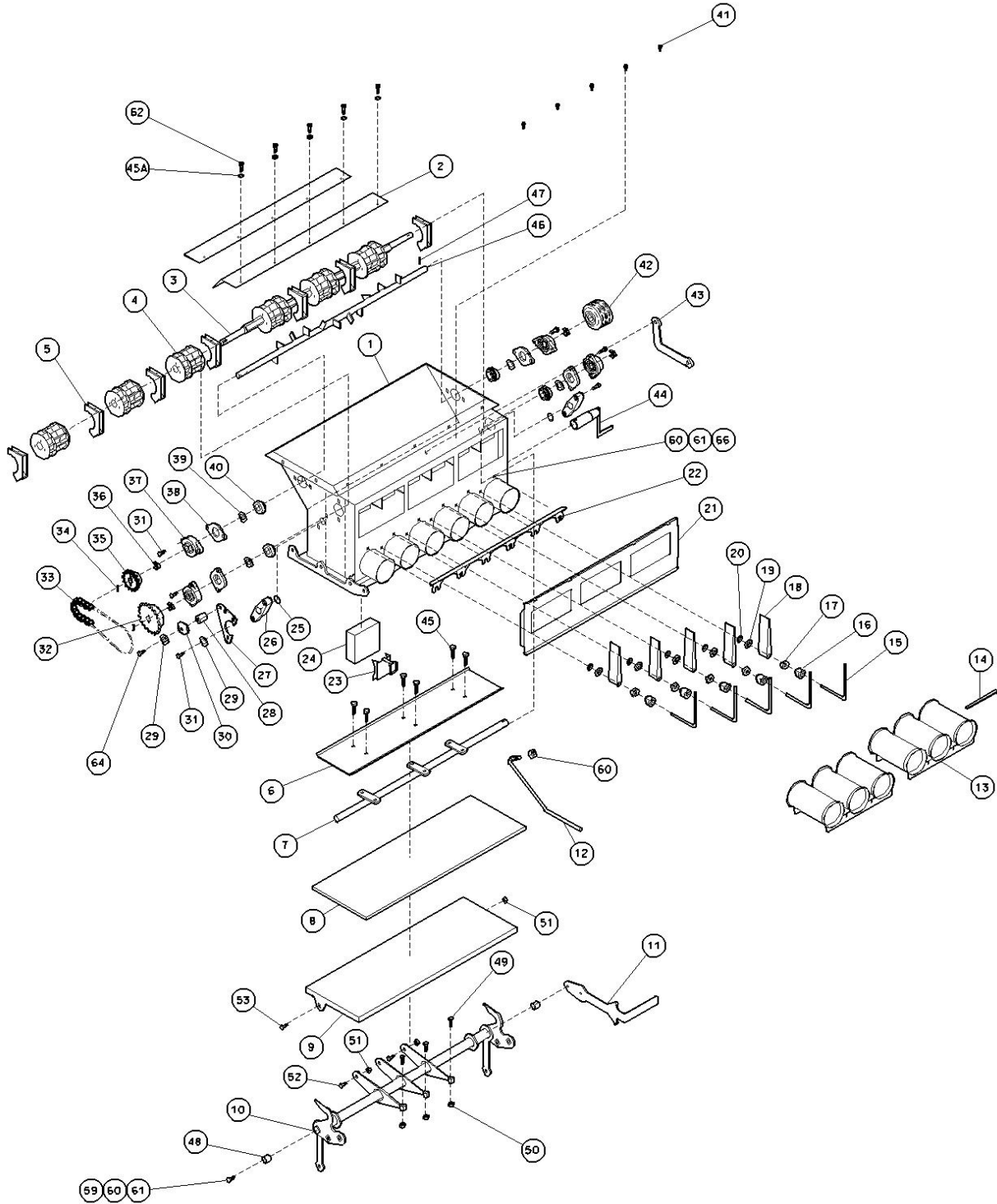




Electric Drive Option (KEE Seed Rate Controller) 

ITEM#	PART #	DESCRIPTION	Per Seeder	
			2 Bin	3 Bin
1	116901350	Motor & Gearbox Electric (A1350)	2	3
2	290000070	Electric Drive Mount Plate (Kee 6/9/12000)	2	3
3	116100543	KEE Satcom Box (On Seeder) A543	1	1
4	116901200	KEE Speed Sensor (A1200)	3	4
5	116701542	SRC Monitor/Controller Only (A542)	1	1
6	290000006	Electric Drive Shaft 18mm Dia	2	3
7	184006006	Key Steel 6mm x 6mm x 0.3048m	0.18	0.27
8	290000066	Sprocket Plast 14T x 5/8" Bore 20mm Elect Drive	2	3
9	126131406	Sprocket Plastic Boss BS 1/2" x 14T Thin 16mm Sq B	4	6
10	290000072	Electric Drive Bar (Drilled) 100mm	4	6
11	TS-6-020	Drive Shaft F/male 20mm x 90mm	2	3
12	095306050	Lynch Pin 1/4" x 2" (S.271) Shaft Lock	2	3
13	124112032	Spring 1 1/4" x 1/2" 1mm Wire	2	3
14	090105044	Roll Pin 3/16" x 1 3/4" Zp	4	6
15	125412120	Chain 1/2" BS Duplex 13L & Con 1/2" (BS08B2)	4	6
16	131000004	Drive Shaft Rubber Chain Boot	4	6
17	010106025	Cap Screw Zp UNC 1/4" X 1"	8	12
18	030110061	Nut UNC Zp Hex 1/4"	8	12
19	035106151	Flat Washer Zp 1/4" ID x 9/16" OD	16	24
20	030130161	Nyloc Nut 5/8" UNC Zp	2	3
21	000100255	Bolt H/Head 3/8" UNC x 1" Gr5 Zp	8	12
22	035110251	Flat Washer Zp 3/8" Id x 1" Od x 1mm	16	24
23	030130101	Nyloc Nut 3/8" UNC Zp	8	12
24	000060255	Bolt H/Head 1/4" UNC x 1" Gr5 Zp	2	3
25	000060135	Bolt H/Head 1/4" UNC x 1/2" Gr5 Zp	4	4
26	208600000	Metering Unit 6 Way Assembly	2	3

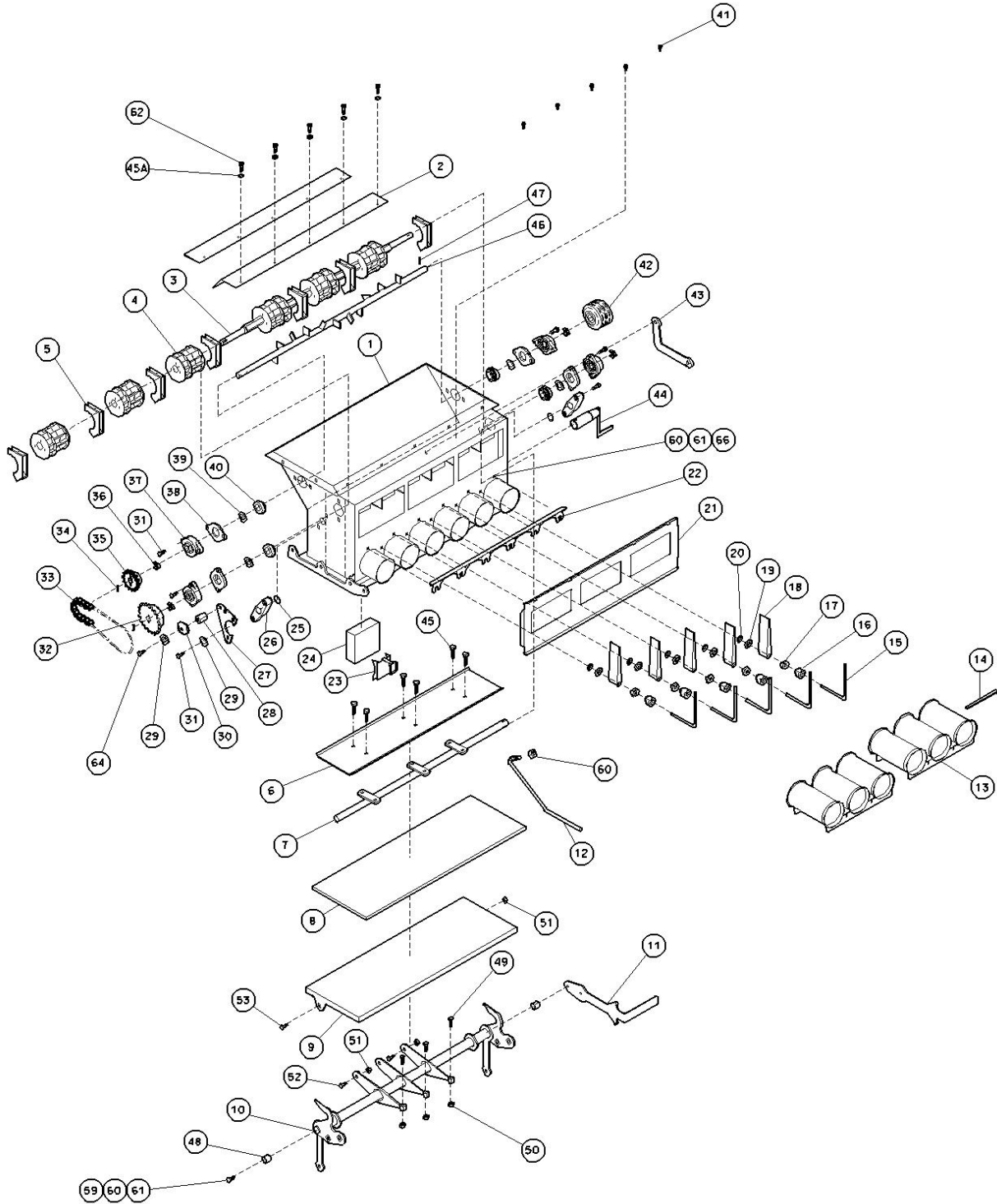
Metering Unit Breakdown "6" Way (6 x 3" Air Streams)



Metering Unit 6 Way Parts Breakdown

ITEM#	PART #	DESCRIPTION	QTY per M/Unit
1	208600002	Metering Unit 6 Way Body WA	1
2	208600120	Metering Unit 6 Way Spool Cover Plate Hucked Assy	1
2A	208600062	Metering Unit 6 Way Canola Spool Cover	1
3	208600065	Metering Unit 6 Way Spool Shaft	1
4	208400093	Metering Unit Spool Assembly RH	3
4A	208400092	Metering Unit Spool Assembly LH	3
5	208400126	Metering Unit Spool Divider Centre	5
5A	208400127	Metering Unit Spool Divider RH	1
5B	208400128	Metering Unit Spool Divider LH	1
6	208600047	Metering Unit 6 Way Cleanout Door	1
7	208600054	Metering Unit 6 Way Cleanout Door Shaft Assembly	1
8	197622110	M/Unit Bottom Door Rubber 629 x 216 x 10mm	1
8&9&10	208600023	Metering Unit 6 Way Bottom Door & Shaft Assy	1
9	208600011	Metering Unit 6 Way Bottom Door WA	1
10	208600025	Metering Unit 6 Way Bottom Door Hinge Shaft WA	1
11	208400065	Metering Unit Bottom Door Handle	1
12	208400051	Metering Unit 4 Way Cleanout Door Handle WA	1
13	208600063	Metering Unit 6 Way Flow Thru Tube WA	2
14	208400073	Metering Unit Clip For Flow Thru Tube	2
15	208400101	Metering Unit Vane Handle 6mm S/S Square	5
16	137308853	Bush Outer Metering Unit 24mm (1/8853)	5
17	197000987	Seal For Vane (New) PBR P987	5
18	193008851	Vane Metering Unit Plastic (1/8852)	5
19	137308858	Bush Inner Metering Unit 8mm (1/8853-1)	5
20	193001761	Retainer Clip S-Steel 17-6-1	5
21	208600102	Metering Unit 6 Way Inspection Window Plate	1
21A	197601300	M/Unit Window Rubber Seal 6 Way (New) 602 x 132mm	1
21B	197172903	M/Unit Inspect Window 172 x 90 x 3mm	3
21C	208600110	Metering Unit 6 Way Inspection Window & Seal Assy	1
22	208600064	Metering Unit 6 Way Indent Plate For Vane Lever	1
23	208400032	Metering Unit Blank Off Plate 33%	A/R
23A	208400033	Metering Unit Blank Off Plate 66%	A/R
23B	208400034	Metering Unit Blank Off Plate 100%	A/R
23C	208600058	Metering Unit Canola Blank Off Plate WA 33% (LH)	A/R
23D	208600060	Metering Unit Canola Blank Off Plate WA 33% (RH)	A/R
24	197959535	M/Unit Blank Off Sponges 95 x 95 x 35mm EVA30	A/R
25	197192535	O'Ring Shaft N9-210 3/4" ID x 1" OD x 0.139"	2
26	137308846	Trap Door Bush Metering Unit (1/8846)	2
27	208400062	Metering Unit Chain Tensioner Bracket 14-21 Ratio	1
28	208400064	Metering Unit Chain Tensioner Spacer (Hex Short)	1
29	035108161	Flat Washer Zp 5/16" ID x 5/8" OD	3
30	208400061	Metering Unit Nylon Chain Tensioner Block (46mm Di	1
31	000080385	Bolt H/Head 5/16" UNC X 1 1/2" Gr5 Zp	2

Metering Unit Breakdown "6" Way (6 x 3" Air Streams)



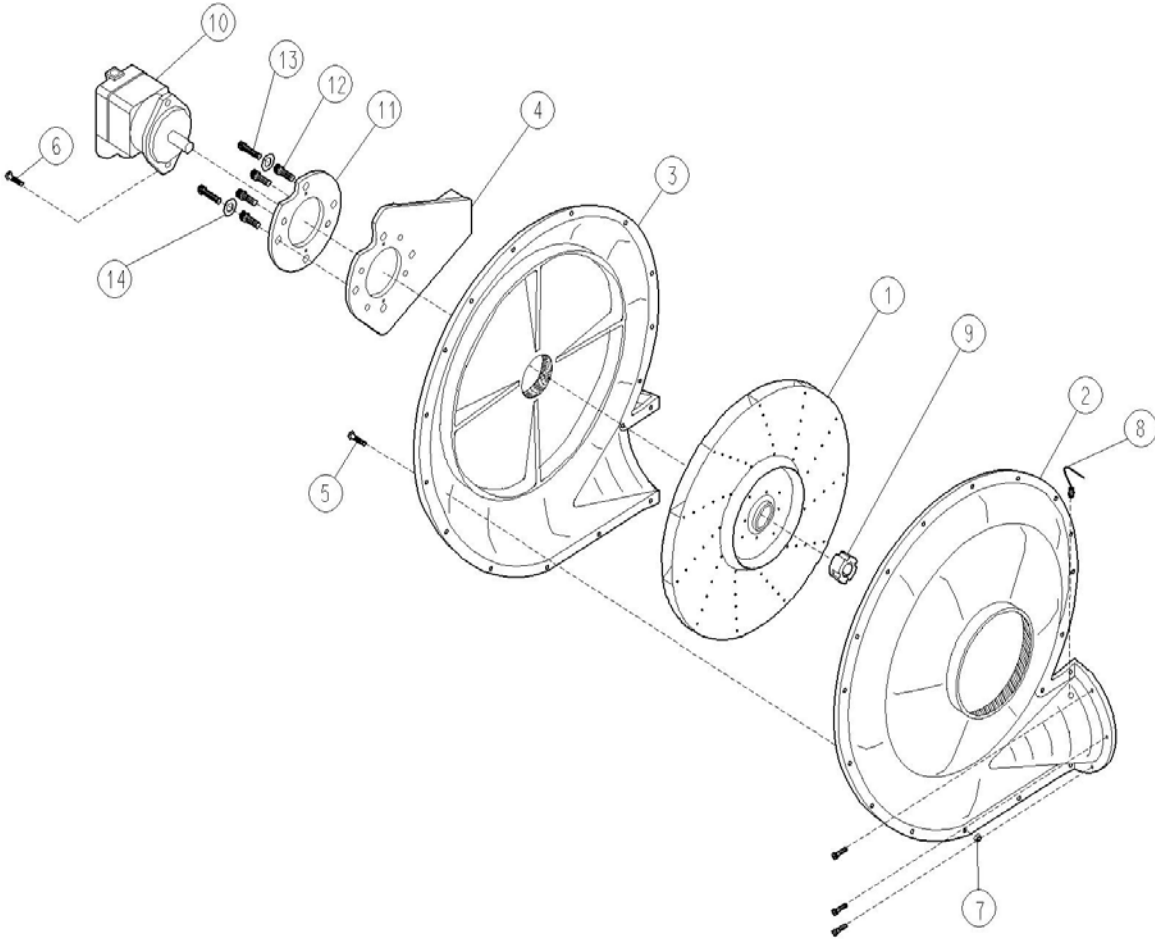
Metering Unit 6 Way Parts Breakdown

ITEM# PART # DESCRIPTION QTY per M/Unit

32	126132101	Sprocket Plastic Boss BS 1/2" x 21T 16mm Keyed W/S	1
33	125140211	Chain Simplex 35L & Con & Crank 08B	1
34	208400098	Metering Unit Sprocket Drive Pin (MU-6-070)	2
35	126131405	Sprocket Plastic Boss BS 1/2" x 14T 16mm Keyed W/S	1
36	193003765	Sprocket Retainer Clip Metering Unit (MU-SRC)	2
37	208400130	Metering Unit Bearing Assy c/w Gasket (MU-6-050)	4
38	197001626	Bearing Gasket (Small) Metering Unit	4
39	035316320	Flat Washer S-Steel 5/8" x 1 1/4" (MU-SW)	4
40	197161687	Seal Mechanical 5/8" Shaft 1.687mm OD	4
41	009408000	Screw S/S 8g x 5/8" G304 PCRST	7
42	131000004	Drive Shaft Rubber Chain Boot	1
43	208400074	Metering Unit Hinge Arm Bent	1
44	208400095	Metering Unit Spool Shaft Crank Handle WA	1 per Machine
45	000060195	Bolt H/Head 1/4" UNC x 3/4" Gr5 Zp	6
45A	035106151	Flat Washer Zp 1/4" ID x 9/16" OD	11
46	208600081	Metering Unit 6 Way Agitator Shaft WA	1
47	090105025	Roll Pin 3/16" x 1" Zp	1
48	208400089	Metering Unit Latch Bearing Spacer	2
48A	208400077	Metering Unit Latch Bearing	2
49	000100325	Bolt H/Head 3/8" UNC X 1 1/4" Gr5 Zp	3
50	030110101	Nut UNC Zp Hex 3/8"	3
51	030130081	Nyloc Nut 5/16" UNC Zp	4
52	000080255	Bolt H/Head 5/16" UNC X 1" Gr5 Zp	3
53	000080325	Bolt H/Head 5/16" UNC X 1 1/4" Gr5 Zp	1
54**	193020504	Over Centre Clamp Metering Unit 20-504	4

** Not Shown

Parker Voac (Volvo) Blower Parts Listing



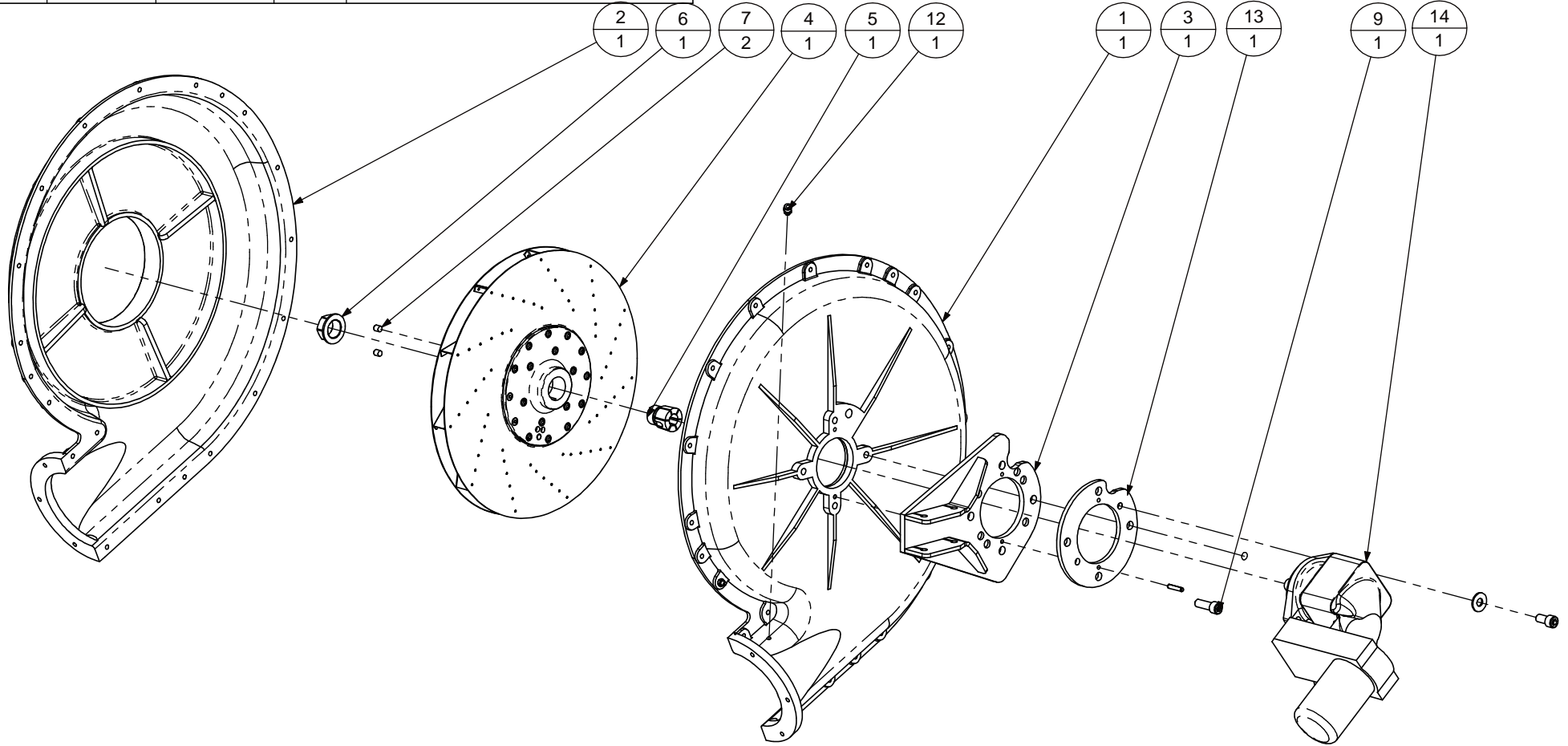
Parker Voac (Volvo) Blower Parts Listing

Item No.	Part No.	Description	Qty
1 *	BL-6-001	Use 259000010 & 259000032 & 259000030 Impellor/20mm Taper/Lock Nut	
2	259000003	Blower Housing - Intake Side	1
3	259000006	Blower Housing - Drive Side	1
4	259000021	Blower Mount Kite WA	1
5	010106032	Cap Screw Zp UNC 1/4" X 1 1/4"	20
6	010113025	Cap Screw Zp UNC 1/2" X 1"	4
7	030130061	Nyloc Nut 1/4" UNC Zp	20
8	110110618	Air Fitting Male Blower (MR110618PTFE)	1
9	BL-6-016	Taper Lock Bush 20mm 1210	1
10	158111010	Motor Hyd Volvo F11010 (3706030)	1
11	250902002	Adaptor Plate Voac Motor	1
12	010113038	Cap Screw Zp UNC 1/2" X 1 1/2"	4
14	035113250	Flat Washer Zp 1/2" Id x 1" Od	4

* Different shaft locking system now used

8** AC218A Air Fitting Male Blower (Brass Ryco)

1	2	3	4	5	6	7	8	9	10	11	12		
REV.	ECN	DATE	BY	DESCRIPTION								DO NOT SCALE - IF IN DOUBT ASK	
01		30/10/2007	TS	Original Release - Balloons Updated									



16	035113250	Flat Washer ZP 1/2" x 1"	1	8	010113025	Cap Screw ZP UNC 1/2" x 1"	1
15	090106031	Roll Pin 1/4" x 1" 1/4	1	7	013111012	Grub Screw 3/8" UNC x 1/2" ZP	2
14	158190940	Motor & Manifold Assembly Voac S9x94(14P) (Bl-6-50)	1	6	259000030	Fan Taper Bush Nut	1
13	250902002	Voac Motor Adaptor Plate	1	5	259000032	Fan Taper Bush (20mm)	1
12	110110618	Air Fir Male Blower MR110618PTFE	1	4	259000010	IMPELLER	1
11	010106032	Cap Screw ZP UNC 1/4" x 1 1/4"	1	3	259000021	SINGLE BLOWER MOUNT	1
10	030130061	Nut UNC ZP Nyloc 1/4"	1	2	259000003	Blower Housing Intake Side	1
9	010113038	Cap Screw ZP UNC 1/2" x 1 1/2"	1	1	259000006	Blower Housing Drive Side	1
ITEM	PART NUMBER	DESCRIPTION	QTY.	ITEM	PART NUMBER	DESCRIPTION	QTY.

Fabrication Note

Linear Dimensions

This drawing is the property of Simplicity (Australia) Pty. Ltd. It must not be used for any purpose other than that for which it is supplied. Reproduction in whole or part is prohibited without written authority from Simplicity (Australia) Pty. Ltd.

DRN:	pdmwadmh
DATE:	15/04/2005
APPR'D:	
DATE:	/ /
SCALE:	1:10

SIMPLICITY (AUSTRALIA) PTY LTD
 18 LOUDOUN RD DALBY 4405 PH (07) 4662 2977 FAX (07) 4662 4955

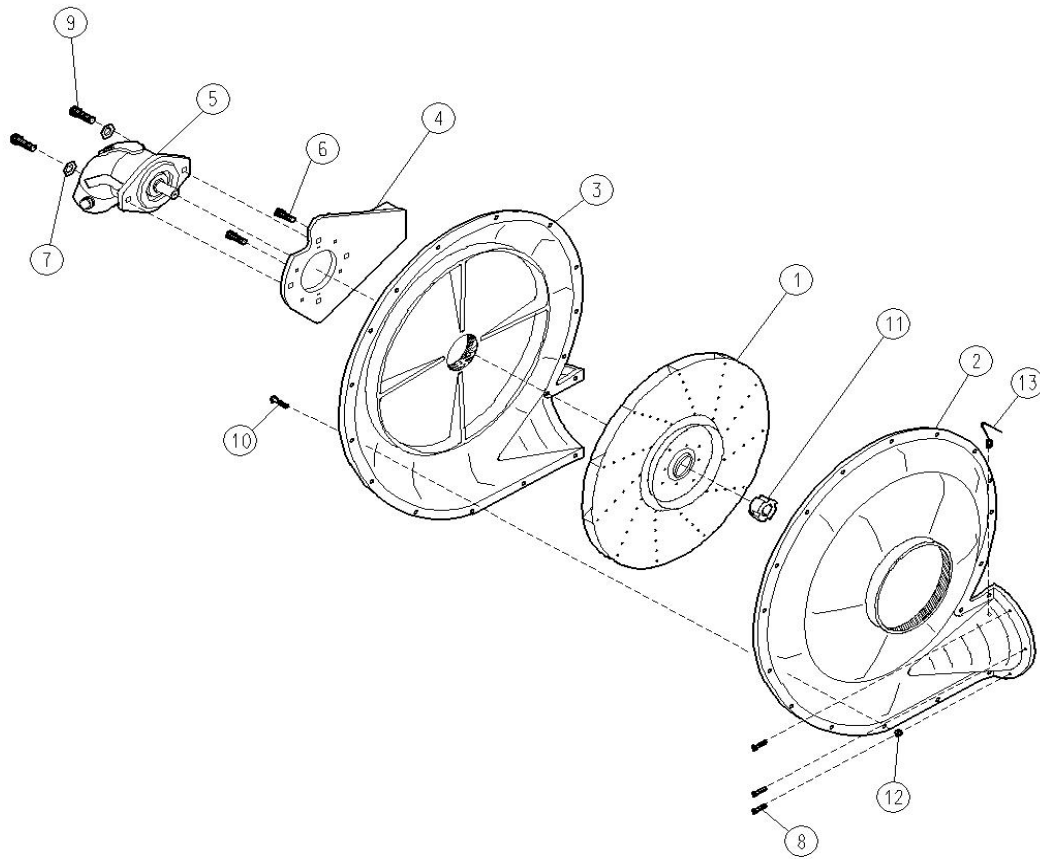
Simplicity Airseeder Bolwers Blower Assy - Volvo

DRAWING NUMBER **250902000**

REV	SHEET	A4
01	1 OF 1	

Part Assemblies and Part Listing Section Cont.

Rexroth Blower Assembly





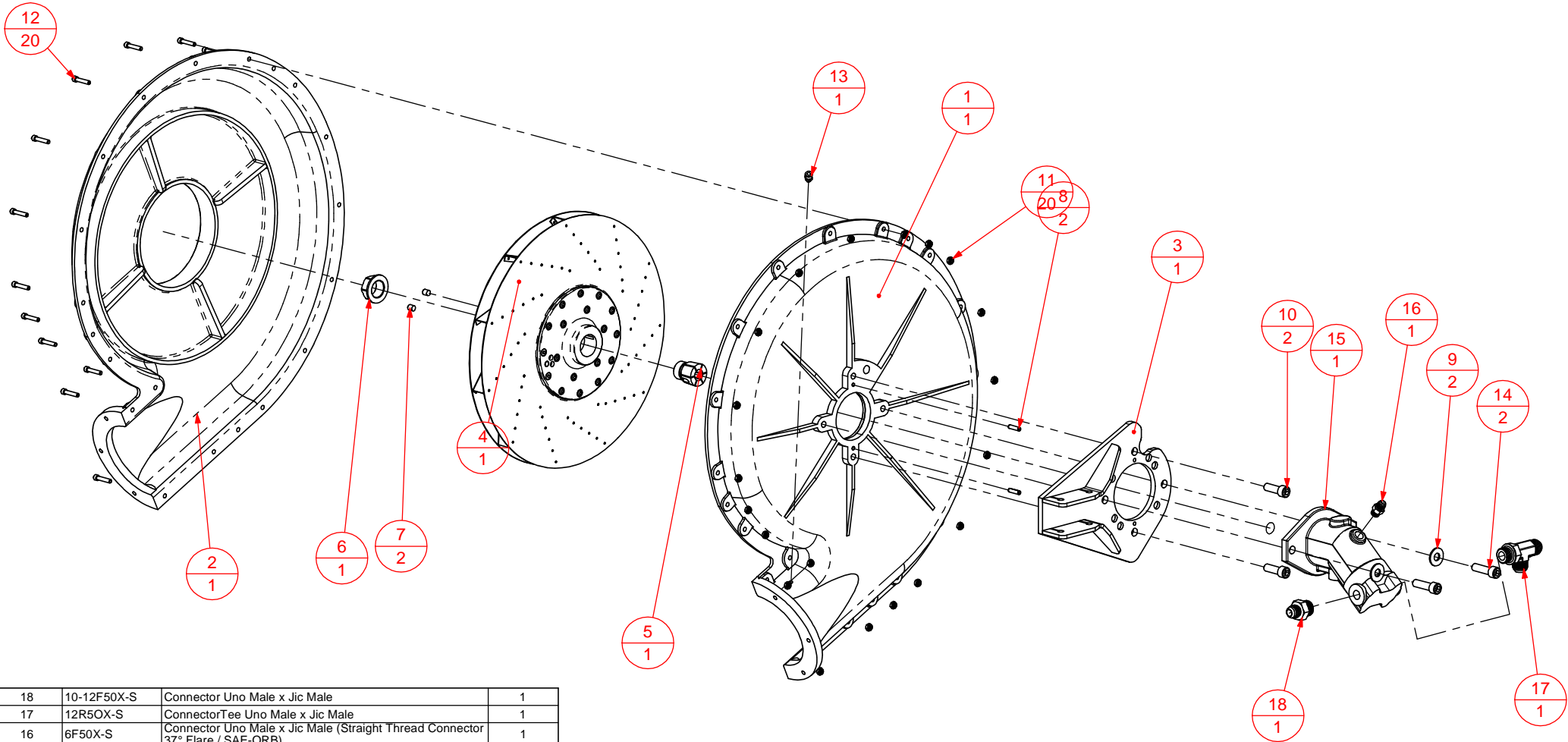
Rexroth Blower Assy

Item No.	Part No.	Description	Qty
1 *	BL-6-001	Use 259000010 & 259000032 & 259000030 Impellor/20mm Taper/Lock Nut	
2	259000003	Blower Housing - Intake Side	1
3	259000006	Blower Housing - Drive Side	1
4	259000021	Blower Mount Kite WA	1
5	158212615	Motor Hydraulic Rexroth Model AA2FM12/61W-VPC53	1
6	010113025	Cap Screw Zp UNC 1/2" X 1"	4
7	035113250	Flat Washer Zp 1/2" Id x 1" Od	4
8	010106032	Cap Screw Zp UNC 1/4" X 1 1/4"	6
9	010113038	Cap Screw Zp UNC 1/2" X 1 1/2"	4
10	010106032	Cap Screw Zp UNC 1/4" X 1 1/4"	20
11	BL-6-016	Taper Lock Bush 20mm 1210	1
12	030130061	Nyloc Nut 1/4" UNC Zp	20
13	110110618	Air Fitting Male Blower (MR110618PTFE)	1

* Different shaft locking system now used

1	2	3	4	5	6	7	8	9	10	11	12
REV.	ECN	DATE	BY	DESCRIPTION							
01		22/05/2007	TS	Original Release							

DO NOT SCALE - IF IN DOUBT ASK



18	10-12F50X-S	Connector Uno Male x Jic Male	1
17	12R50X-S	Connector Tee Uno Male x Jic Male	1
16	6F50X-S	Connector Uno Male x Jic Male (Straight Thread Connector 37° Flare / SAE-ORB)	1
15	259000052	Rexroth Motor Painted	1
14	010113045	Cap Screw ZP UNC 1/2" x 1 3/4"	2
13	110110618	Air Fir Male Blower MR110618PTFE	1
12	010106032	Cap Screw ZP UNC 1/4" x 1 1/4"	20
11	030130061	Nut UNC ZP Nyloc 1/4"	20
10	010113038	Cap Screw ZP UNC 1/2" x 1 1/2"	2
9	035113250	Flat Washer ZP 1/2" x 1"	2
8	090106025	Roll Pin 1/4" x 1" ZP	2
7	013111012	Grub Screw 3/8" UNC x 1/2" ZP	2
6	259000030	Fan Taper Bush Nut	1
5	259000032	Fan Taper Bush (20mm)	1
4	259000010	IMPELLER	1
3	259000021	SINGLE BLOWER MOUNT	1
2	259000003	Blower Housing Intake Side	1
1	259000006	Blower Housing Drive Side	1
ITEM	PART NUMBER	DESCRIPTION	QTY.

Simplicity (Australia) Pty. Ltd.
 It must not be used for any purpose other than that for which it is supplied.
 Reproduction in whole or part is prohibited without written authority from Simplicity (Australia) Pty. Ltd.

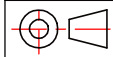
DRN:	TS
DATE:	15/04/2005
APP'D:	
DATE:	/ /
SCALE:	1:10

SIMPLICITY (AUSTRALIA) PTY LTD
 18 LOUDOUN RD DALBY 4405 PH (07) 4662 2977 FAX (07) 4662 4955

Simplicity Airseeder Blowers
Blower Assy - Rexroth

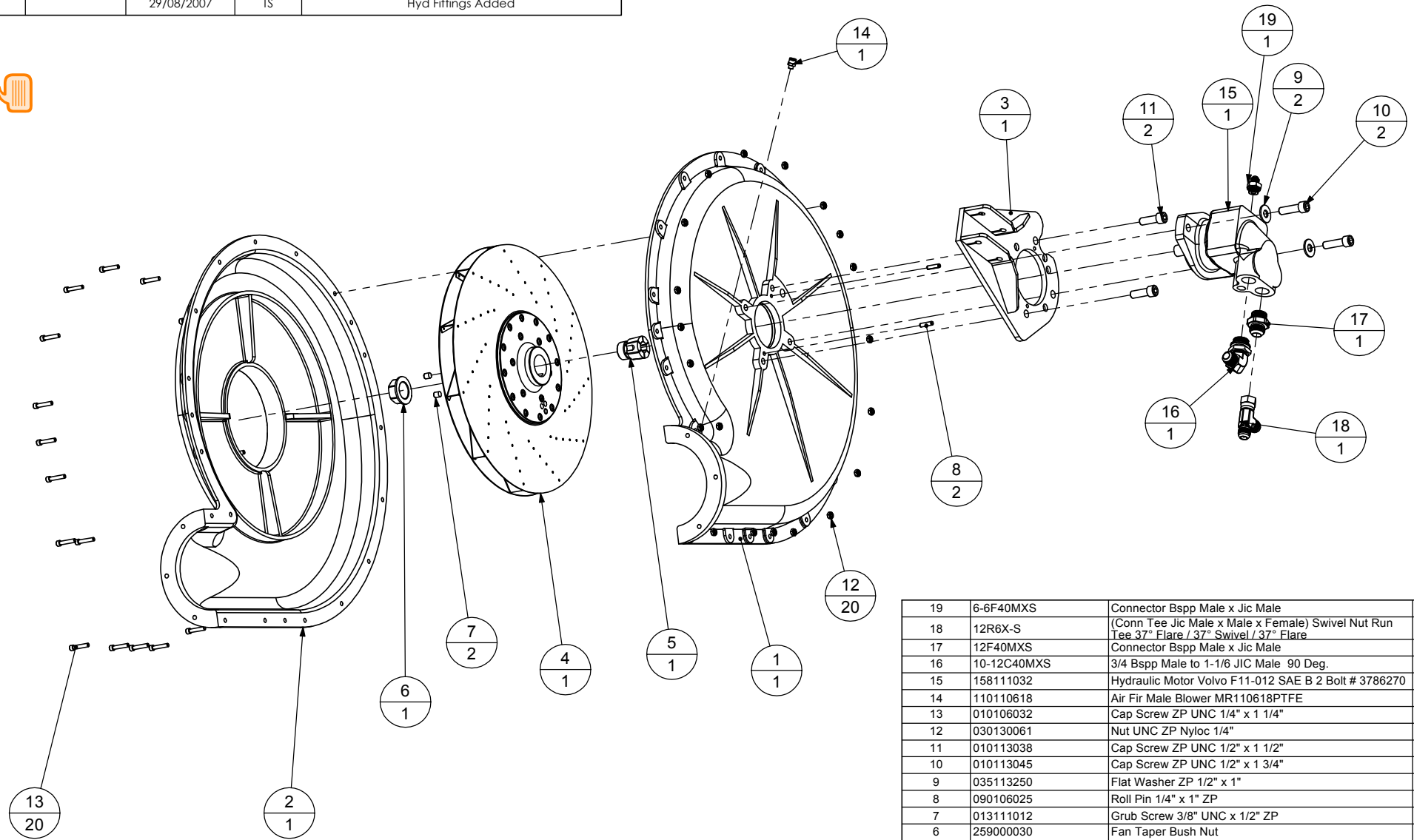
DRAWING NUMBER **251902000**

REV	SHEET	A4
01	1 OF 1	



REV.	ECN	DATE	BY	DESCRIPTION
02		29/08/2007	TS	Hyd Fittings Added

DO NOT SCALE - IF IN DOUBT ASK



19	6-6F40MXS	Connector Bsp Male x Jic Male	1
18	12R6X-S	(Conn Tee Jic Male x Male x Female) Swivel Nut Run Tee 37° Flare / 37° Swivel / 37° Flare	1
17	12F40MXS	Connector Bsp Male x Jic Male	1
16	10-12C40MXS	3/4 Bsp Male to 1-1/6 JIC Male 90 Deg.	1
15	158111032	Hydraulic Motor Volvo F11-012 SAE B 2 Bolt # 3786270	1
14	110110618	Air Fir Male Blower MR110618PTFE	1
13	010106032	Cap Screw ZP UNC 1/4" x 1 1/4"	20
12	030130061	Nut UNC ZP Nyloc 1/4"	20
11	010113038	Cap Screw ZP UNC 1/2" x 1 1/2"	2
10	010113045	Cap Screw ZP UNC 1/2" x 1 3/4"	2
9	035113250	Flat Washer ZP 1/2" x 1"	2
8	090106025	Roll Pin 1/4" x 1" ZP	2
7	013111012	Grub Screw 3/8" UNC x 1/2" ZP	2
6	259000030	Fan Taper Bush Nut	1
5	259000032	Fan Taper Bush (20mm)	1
4	259000010	IMPELLER	1
3	259000021	SINGLE BLOWER MOUNT	1
2	259000003	Blower Housing Intake Side	1
1	259000006	Blower Housing Drive Side	1
ITEM	PART NUMBER	DESCRIPTION	QTY.

Fabrication Note

Finish:

General Tolerances

Linear Dimensions

X ±1mm (whole numbers)
 X.X ±0.5mm (one decimal place)
 X.XX ±0.25mm (two decimal places)

Angular Dimensions

All Angles ±2°

This drawing is the property of Simplicity (Australia) Pty. Ltd. It must not be used for any purpose other than that for which it is supplied. Reproduction in whole or part is prohibited without written authority from Simplicity (Australia) Pty. Ltd.

DRN:	TS
DATE:	15/04/2005
APPRD:	
DATE:	/ /
SCALE:	1:10

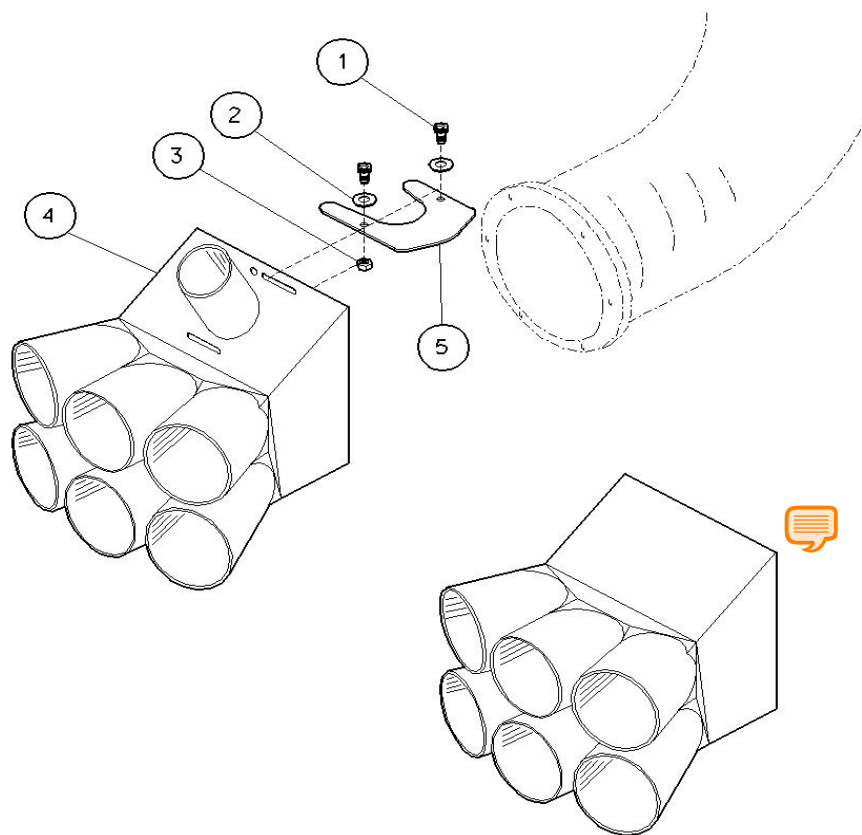
SIMPLICITY (AUSTRALIA) PTY LTD
 18 LOUDOUN RD DALBY 4405 PH (07) 4662 2977 FAX (07) 4662 4955

Simplicity Airseeder Blowers
 Blower Assy - Volvo (90 Deg)

DRAWING NUMBER **250902003**

REV	SHEET	A4
02	1 OF 1	

Part Assemblies and Part Listing Section Cont. 6000 6 Way Blower Outlet Assembly





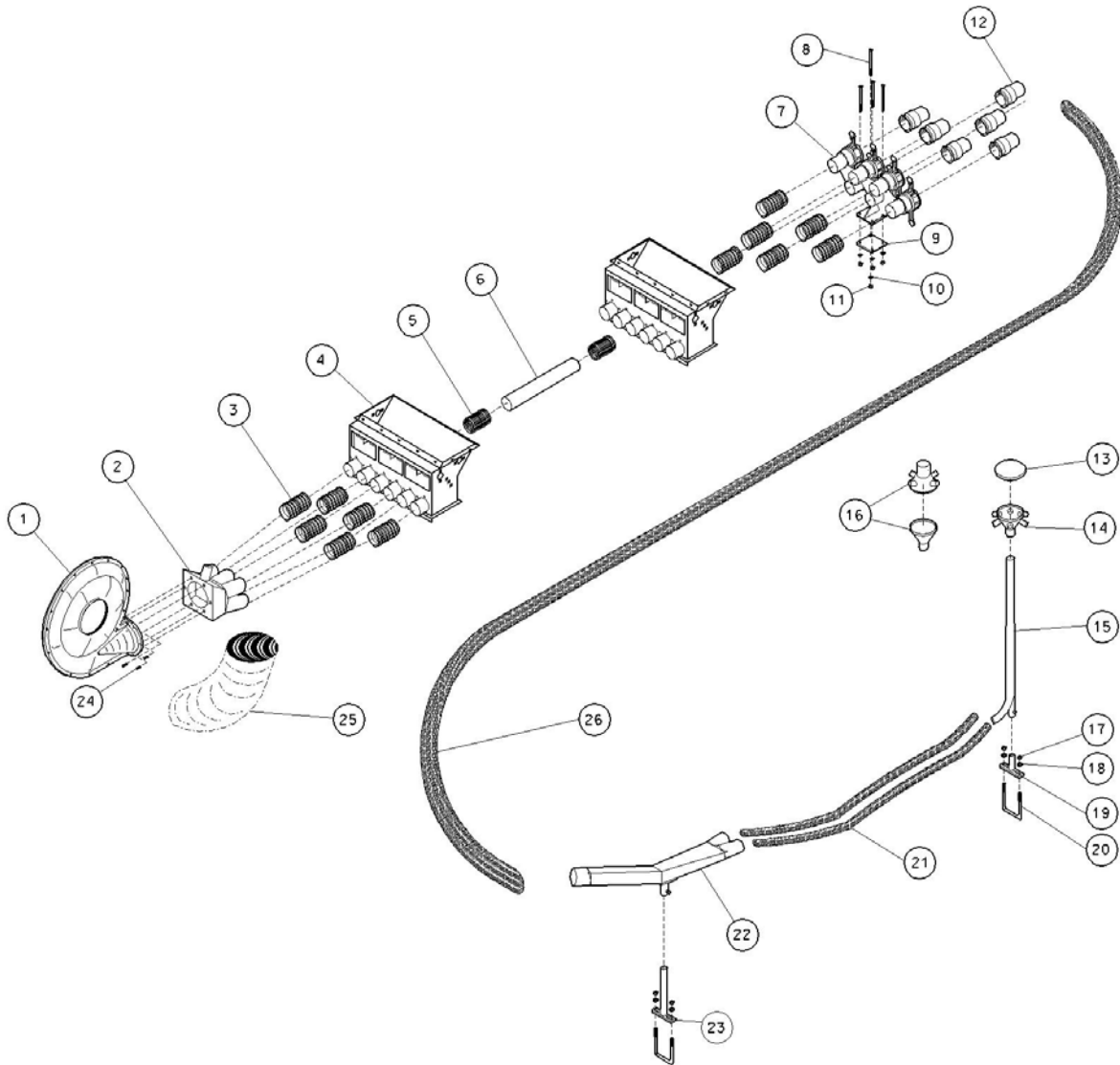
Blower Outlet Assy

Item No.	Part No.	Description	Qty
1	010106019	Cap Screw Zp UNC 1/4" X 3/4"	2
2	035106151	Flat Washer Zp 1/4" ID x 9/16" OD	2
3	030170061	Nut UNC Huck 1/4" ATS 2-420	2
4*	259601000	Blower Outlet 6 Way & SSB Gate Assembly	1
5	BL-6-008	Blower Small Seed Gate Assy	1

Not Listed

*	259600000	Blower Outlet 6 Way Assembly
---	-----------	------------------------------

6 Way Distribution System





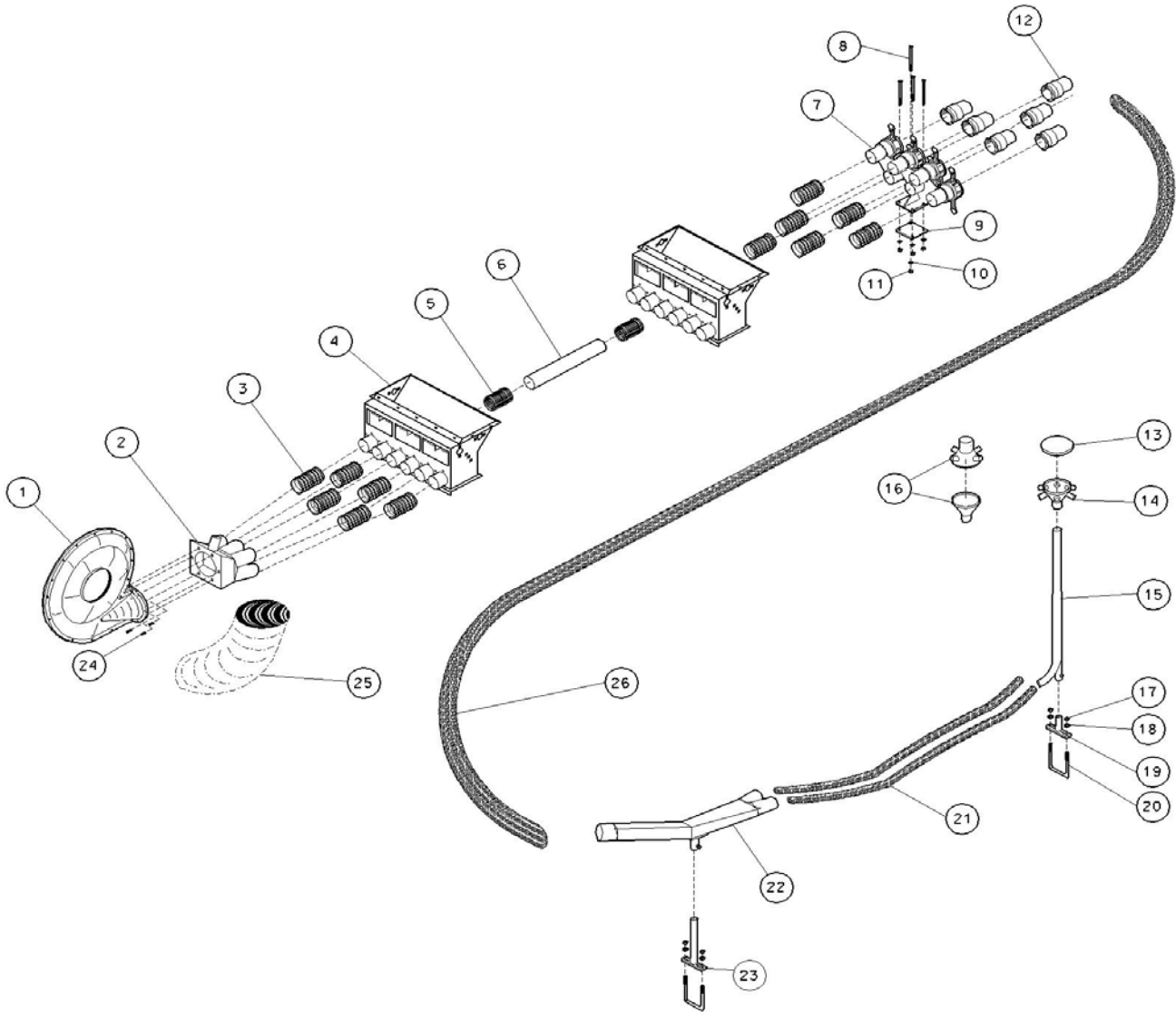
6 Way Distribution System

Item No.	Part No.	Description	Qty 2 Bin	Qty 3 Bin
1	250902000	Blower Assembly - Volvo Single	1	1
2	259600000	Blower Outlet 6 Way Assembly	1	1
2	259601000	Blower Outlet 6 Way & SSB Gate Assembly	A/R	A/R
3	109400076	Hose Ribbed Bore 76mm (Barflo) DIDUC076	6	6
4	208600000	Metering Unit 6 Way Assembly (6000)	2	3
5	208000090	Transfer Tube Joiner Hose 90mm	12	24
6	208000980	Metering Unit Flow Thru Tube 980mm 6/9/12000 2 Bin	6	
6	208000540	Metering Unit Flow Thru Tube 540mm 6/9/12000 3 Bi	-	12
7	214602026	TQ/R 6 Way Breakaway & Coupling Camlock Assembly TT/TR/TQ	1	1
7	212302035	TB 6 Way Breakaway & Coupling Camlock Assembly (TB Only)	1	1
8	000101505	Bolt H/Head 3/8" UNC X 6" Gr5 Zp (TT,TR,TQ Models)	4	4
8	000100505	Bolt H/Head 3/8" UNC X 2" Gr5 Zp (TB Only)	4	4
9*	CH-6-034	Camlock Brkt Bottom Plate TT/TR	1	1
9	212602045	TB 6 Way Breakaway Bolt Plate (143 Centres)	1	1
10	035110191	Flat Washer Zp 3/8" ID X 3/4" OD X 1.5mm	8	8
11	030130101	Nyloc Nut 3/8" UNC Zp	4	4
12	280000276	Camlock Male 3" With Tail (Camlock-3)	6	6
13	197060052	Rubber Head Cap 150mm ID 1/8850 (SD-1/8849)	A/R	A/R
14	286044401	Secondary Head 44.5mm 4 Way x 1 3/4" (SD-04-45)	A/R	A/R
14*	286045101	Secondary Head 51mm 4 Way x 2" (SD-04-50)	A/R	A/R
14	286046301	Secondary Head 4 Way x 2 1/2" (SD-04-63)	A/R	A/R
14	286054401	Secondary Head 44.5mm 5 Way x 1 3/4" (SD-05-45)	A/R	A/R
14	286055101	Secondary Head 51mm 5 Way x 2" (SD-05-50)	A/R	A/R
14	286064401	Secondary Head 44.5mm 6 Way x 1 3/4" (SD-06-45)	A/R	A/R
14	286065101	Secondary Head 51mm 6 Way x 2" (SD-06-50)	A/R	A/R
14*	286066301	Secondary Head 63.5mm 6 Way x 2 1/2" (SD-06-63)	A/R	A/R
14	286074401	Secondary Head 44.5mm 7 Way x 1 3/4" (SD-07-45)	A/R	A/R
14	286075101	Secondary Head 51mm 7 Way x 2" (SD-07-50)	A/R	A/R
14	286076301	Secondary Head 63.5mm 7 Way x 2 1/2" (SD-07-63)	A/R	A/R
14	286084401	Secondary Head 44.5mm 8 Way x 1 3/4" (SD-08-45)	A/R	A/R
14	286085101	Secondary Head 51mm 8 Way x 2" (SD-08-50)	A/R	A/R
14	286086301	Secondary Head 63.5mm 8 Way x 2 1/2" (SD-08-63)	A/R	A/R
14	286094401	Secondary Head 44.5mm 9 Way x 1 3/4" (SD-09-45)	A/R	A/R
14	286095101	Secondary Head 51mm 9 Way x 2" (SD-09-50)	A/R	A/R
14	286096301	Secondary Head 63.5mm 9 Way x 2 1/2" (SD-09-63)	A/R	A/R
14	286104401	Secondary Head 44.5mm 10 Way x 1 3/4" (SD-10-45)	A/R	A/R
14	286105101	Secondary Head 51mm 10 Way x 2" (SD-10-50)	A/R	A/R
14	286106301	Secondary Head 63.5mm 10 Way x 2 1/2" (SD-10-63)	A/R	A/R
15	288504451	Secondary Head Stand Tube 45mm Zp (1 3/4")	A/R	A/R
15	288504501	Secondary Head Stand Tube 50mm Zp (2")	A/R	A/R
15	288504631	Secondary Head Stand Tube 63mm Zp (2 1/2")	A/R	A/R

9* Not used on current machines

14* Can Only be Used in Limited Applications

6 Way Distribution System Cont.





6 Way Distribution System Cont.

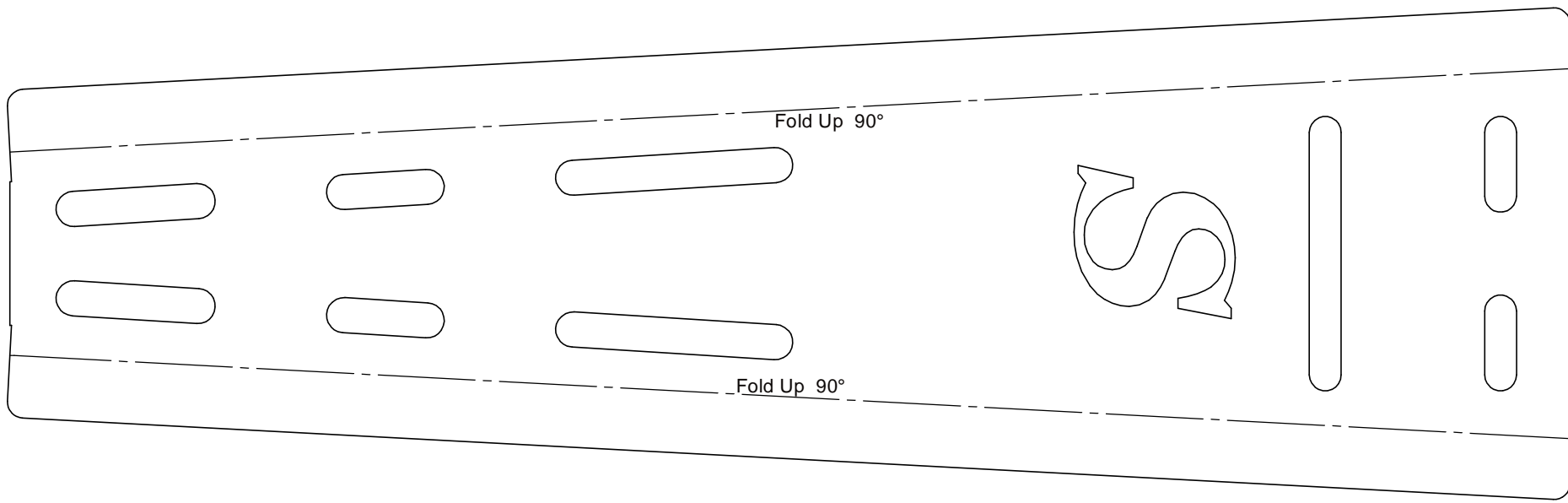
Item No.	Part No.	Description	Qty	Qty
			2 Bin	3 Bin
16	289432001	Cyclone Assy 1 1/4" Outlet (No Mount Frame Included)	A/R	A/R
17	030130101	Nyloc Nut 3/8" UNC Zp	A/R	A/R
18	035110251	Flat Washer Zp 3/8" Id x 1" Od x 1mm	A/R	A/R
19*	288404451	Secondary Head Mount Suit 1 3/4" (45mm) Stand Pipe On 2" - 4" Bar	A/R	A/R
19*	288707451	Secondary Head Mount Suit 1 3/4" (45mm) Stand Pipe On 6" - 8" Bar	A/R	A/R
19*	288404501	Secondary Head Mount Suit 2" (50mm) Stand Pipe On 2" - 4" Bar	A/R	A/R
19*	288707501	Secondary Head Mount Suit 2" (50mm) Stand Pipe On 6" - 8" Bar	A/R	A/R
19*	288404631	Secondary Head Mount Suit 2 1/2" (63mm) Stand Pipe On 2" - 4" Bar	A/R	A/R
19*	288707631	Secondary Head Mount Suit 2 1/2" (63mm) Stand Pipe On 6" - 8" Bar	A/R	A/R
20	020050050	U Bolt 3/8" X 2" X 2" UNC Zp	A/R	A/R
20	020064050	U Bolt 3/8" X 2 1/2" X 2" UNC Zp	A/R	A/R
20	020075075	U Bolt 3/8" x 3" x 3" UNC Zp	A/R	A/R
20	020089089	U Bolt 3/8" X 3 1/2" X 3 1/2" UNC Zp	A/R	A/R
20	020100100	U Bolt 3/8" X 4" X 4" UNC Zp	A/R	A/R
20	020100150	U Bolt 3/8" X 4" X 6" UNC Zp	A/R	A/R
20	020150150	U Bolt 3/8" X 6" X 6" UNC Zp	A/R	A/R
20	020178178	U Bolt 3/8" X 7" X 7" UNC Zp	A/R	A/R
20	020200200	U Bolt 3/8" X 8" X 8" UNC Zp	A/R	A/R
21	109500051	Hose Nylaflex 51mm Grey Seeder (5m per Secondary Line)	A/R	A/R
22	285251001	Primary Divider WA - 2 Way/2" Outlet (PD-2)	A/R	A/R
22	285344001	Primary Divider WA - 3 Way/1 3/4" Outlet (PD-3)	A/R	A/R
22	285444001	Primary Divider WA - 4 Way/1 3/4" Outlet (PD-4)	A/R	A/R
23	287000001	Primary Divider Mount WA (Suit 2 1/2" - 4" Bar)	A/R	A/R
23	287000021	Primary Divider Mount WA (Suit 6" - 8" Bar)	A/R	A/R
24	010106032	Cap Screw Zp UNC 1/4" X 1 1/4"	6	6
25	109500200	Hose Nyladuct 8" ND-200 (Cooler)	1m	1m
25	101178229	Clamp Hose Tridon 178 - 229mm (Blower)	2	2
26	109500076	Hose Nylaflex 76mm Grey Seeder NYG7620 (5m per Secondary Line)	A/R	A/R

* **Head Mounts as Drawn are NLA - Replaced with 288404002**

* 288404002 Universal Secondary Head Mount
This mount is universal for 1 3/4", 2" and 2 1/2" Secondary Head Stand Tubes. See over for more details.

REV.	ECN	DATE	BY	DESCRIPTION
02		11/04/2007	MT	Lower Slots lengthened to accommodate 2 5/8" pipe clamp

DO NOT SCALE - IF IN DOUBT ASK



PART LOCATION
 PLASMA PROGRAM
 Category: 288
 Part: 288404002
 Part No: 203001

JOB LOCATION
 PLASMA PROGRAM
 Category:
 Job:
 Job No:
 Sheet:
 Material:
 Thickness:
 Size:

ITEM	PART NUMBER	DESCRIPTION	RAW MATERIAL NUMBER	MATERIAL SECTION	Length x Width	QTY.
1	288404002	Universal secondary head mount	171040000	4mm FMS plate	490 x 117	1

DRN: Warren Albrton
 DATE: 5/09/2006
 APPR'D:
 DATE: / /
 SCALE: 1:2

SIMPLICITY (AUSTRALIA) PTY LTD
 18 LOUDOUN RD DALBY 4405 PH (07) 4662 2977 FAX (07) 4662 4955

Simplicity Airseeders

Universal secondary head mount

DRAWING NUMBER
288404002

REV 02	SHEET 1 OF 2	A4
-----------	-----------------	-----------

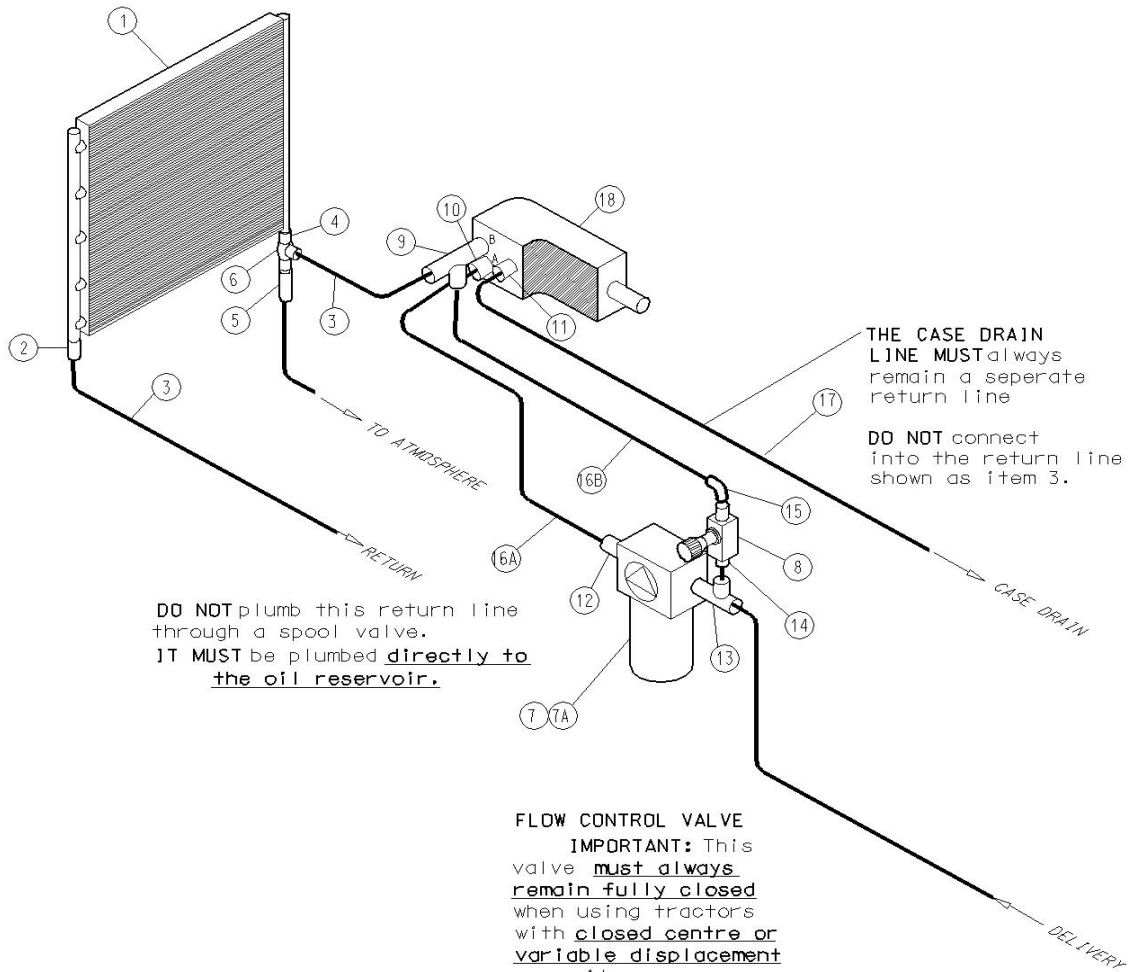




Parts Not Listed But May Be Usefull (References Only)

Part #	Description
108000176	Coupling Female 3" Alum (No Tail)
108000276	Coupling Male 3" Alum (No Tail)
108000075	Camlock Plug Suit Female 3"
280000276	Camlock Male 3" With Tail (Camlock-3)
280000176	Camlock Female 3" With Tail (Camlock-4)
108000076	Camlock Cap Suit Male 3"
109500076	Hose Nylaflex 76mm Grey Seeder NYG7620
109500063	Hose Nylaflex 64mm Grey Seeder NYG6420
109500051	Hose Nylaflex 51mm Grey Seeder NYG5120
109500045	Hose Nylaflex 44mm Grey Seeder NYG4420
BR031	Hose Nylaflex Black 31.58mm
109500032	Hose Dayco Smooth Bore 31.58mm VEN-032
197060317	Blank Off Plug 31.5mm For Cyclone
SD-EP18S	Blank Off Plug Suit S/S Head
SD-EP18	Blank Off Plug Suit Aluminium Head
208000044	Reducer 1 3/4" ID x 2" OD
208000043	Reducer 2" ID x 1 3/4" OD
208000050	Reducer 2 1/2" ID x 3" OD
208000075	Reducer 3" ID x 2 1/2" OD
208000070	Reducer 3" ID x 3" OD
UB-10038	U Bolt 3/8" X 1 1/2" X 1 1/2"
020050050	U Bolt 3/8" X 2" X 2" UNC Zp
020064050	U Bolt 3/8" X 2 1/2" X 2" UNC Zp
UB-10065-75	U Bolt 3/8" 2 1/2" X 3"
020075075	U Bolt 3/8" x 3" x 3" UNC Zp
020089089	U Bolt 3/8" X 3 1/2" X 3 1/2" UNC Zp
020100100	U Bolt 3/8" X 4" X 4" UNC Zp
UB-10100-90	U Bolt 3/8" X 4" X 3 1/2"
020100150	U Bolt 3/8" X 4" X 6" UNC Zp
020178178	U Bolt 3/8" X 7" X 7" UNC Zp
020200200	U Bolt 3/8" X 8" X 8" UNC Zp
021050050	U Bolt 1/2" X 2" X 2" UNC Zp
UB-12050-75	U Bolt 1/2" X 2" X 3" Unc Zp
021064064	U Bolt 1/2" X 2 1/2" X 2 1/2" UNC Zp
021075075	U Bolt 1/2" X 3" X 3" UNC Zp
UB-12090	U Bolt 1/2" X 3 1/2" X 3 1/2" Unc Zp
021100100	U Bolt 1/2" X 4" X 4" UNC Zp
UB-16075	U BOLT 5/8" X 3" X 3" ZP UNC
022100100	U Bolt 5/8" x 4" x 4" UNC Zp
UB-16150	U Bolt 5/8" X 6" X 4" Unc Zp
UB-16150-65	U Bolt 5/8" X 6" X 2 1/2"

Voac (Volvo) Motor Hydraulic Circuit





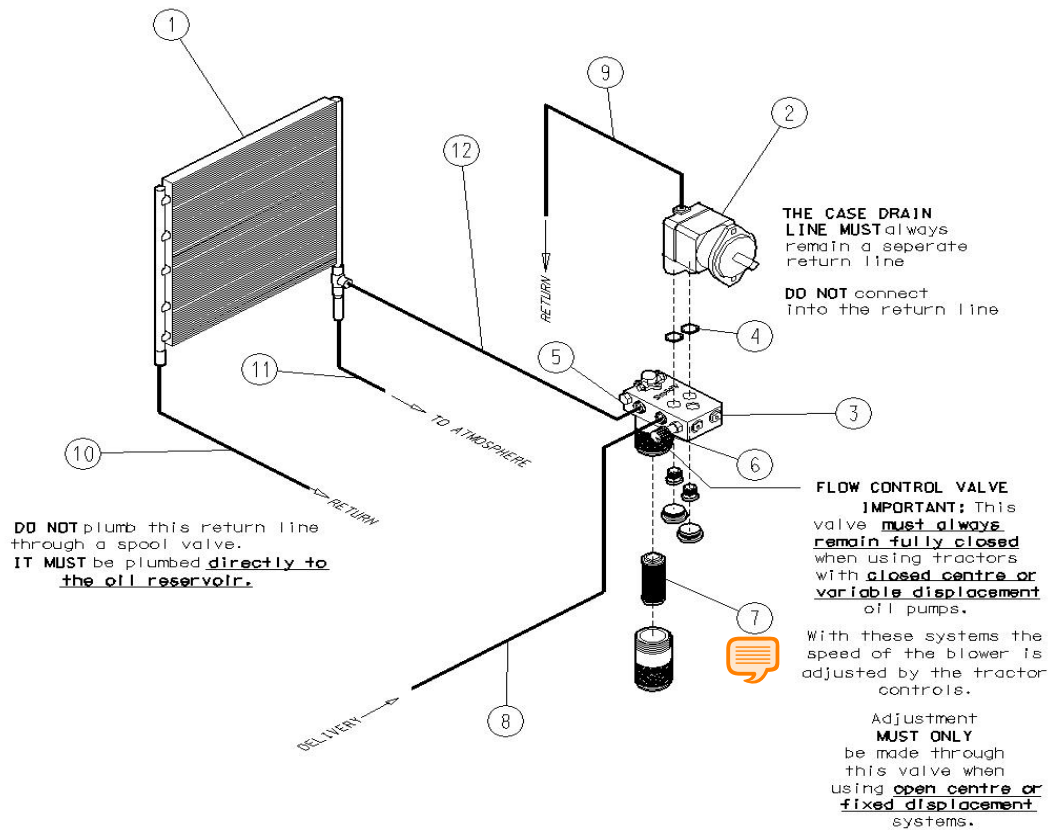
Voac (Volvo) Motor Hydraulic Circuit

Item No.	Part No.	Description	Qty
1*	163109241	Oil Cooler 10924S1	1
2	12F3MXS	Fitting 3/4" BSPT x 1 1/16" LIC Male	1
3	421-12	Hose Hydraulic SAE S/B N/S 3/4"	A/R
4*	BL-6-004	Tee Special D222450120817 Suits 3/4" BSP	1
4A*	SP-4455	Tee 1/2" x 1 1/16" M UNO x JIC (JB7037)	1
5	611-8	Hose SAE Push On 1/2"	1m
6	200122350	Valve Relief Oil Cooler 350-600 PSI - Preset	1
7	BL-M-F14P	Pressure Filter Parker 14P NLA	1
7A*	159925385	Filter Element 14P 925385 (932612Q) BL-6-510	1
7B*	159424400	Filter Element - Suit 18P (G04244)	1
8	161201512	Valve Needle 1/2" W/- Locknut Valve SCV.1702	1
9	10R40MXS	Connector Male Tee Bsp x Jic x Jic	1
10	10-12F40MXS	Nipple 3/4" BSPP O Ring M x 7/8" JIC M	1
11	6-6F40MXS	Nipple 1/4" BSPP O Ring M x 9/16" JIC M	1
12	10F40MXS	Nipple 1/2" BSPP O Ring M x 7/8" JIC M	1
13	10R40MXS	Tee 7/8" JIC M x 7/8" JIC x 1/2" BSPP	1
14	10F63MXS	Adaptor 1/2" BSP / 7/8" JIC Female	1
15	10C3MXS	Elbow 1/2" BSPT M x 7/8" JIC M 90 Degree	1
16A	301-10	Hose Hydraulic SAE D/B N/S 5/8"	A/R
16B	421-8	Hose Hydraulic SAE S/B N/S 1/2"	A/R
17	421-4	Hose Hydraulic SAE S/B N/S 1/4"	A/R
18	158111010	Motor Hyd Volvo F11010 (3706030)	1
18*	259000060	Front Seal & Back Up Washer Kit	A/R

1*	163109241	Thread changed from 3/4" BSP to 1 1/16" UNO
4*	BL-6-004	Suits 3/4" BSP Thread Only
4A*	SP-4455	Suits 1 1/16" UNO Thread Only
7A*	159925385	Used from April 1998 to May 2000
7B*	159424400	Used from April 2000

Voac (Volvo) Motor Hydraulic Circuit

(Filter Block Manifold Type)



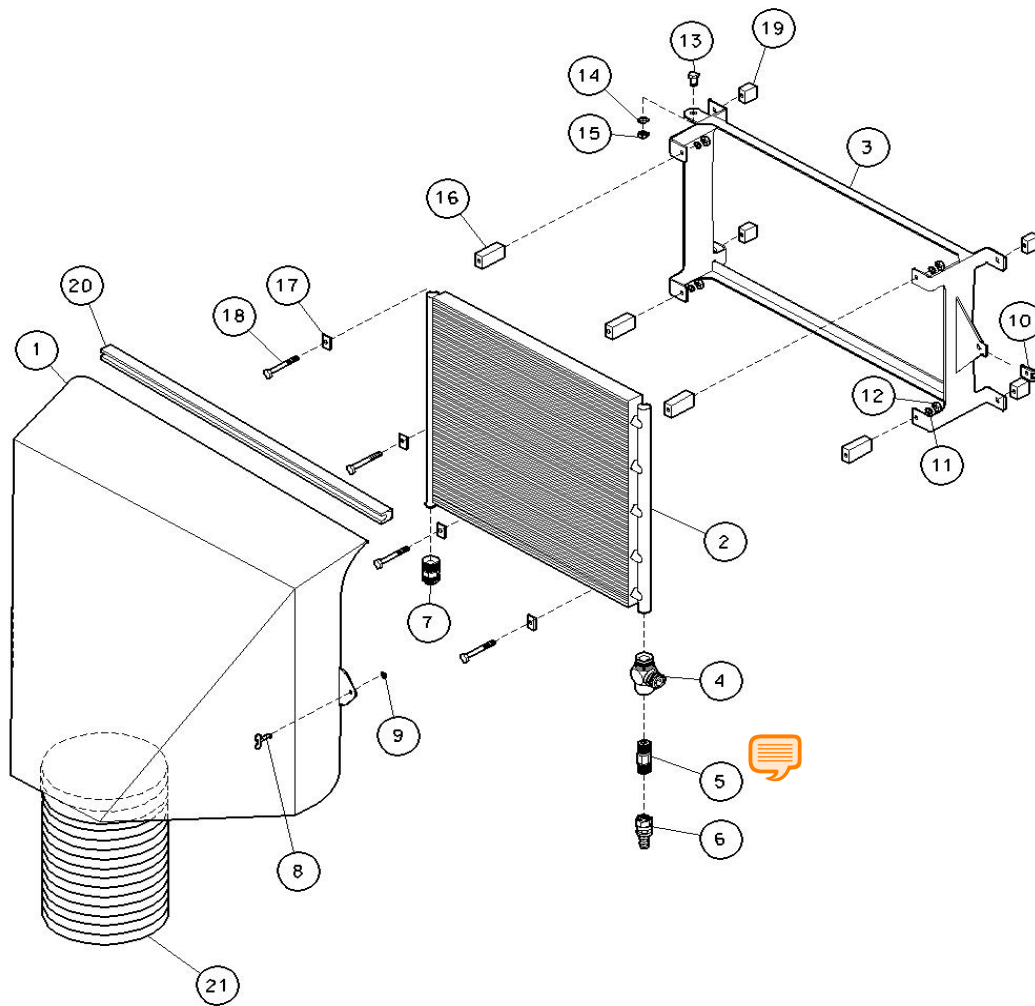


Voac (Volvo) Motor Hydraulic Circuit (Filter Block Manifold Type)

Item No.	Part No.	Description	Qty
1	163109241	Oil Cooler 10924S1 (Hayden)	1
2	158111010	Motor Hyd Volvo (Voac) F11010 (3706030)	1
2*	259000060	Front Seal & Back Up Washer Kit	A/R
3	158190941	Manifold Assembly S00B28AA-OGGO	1
4	40-027	Bonding Washer 3/4"	2
5	40-021	Bonding Washer 1/4"	1
6		Flow Control Valve	1
7*	159925385	Filter Element 14P 925385 (932612Q) BL-6-510	1
7**	159424400	Filter Element - Suit 18P (G04244)	1
8	301-10	Hose Hydraulic SAE D/B N/S 5/8"	A/R
9	421-4	Hose Hydraulic SAE S/B N/S 1/4"	A/R
10	421-12	Hose Hydraulic SAE S/B N/S 3/4"	A/R
11	611-8	Hose SAE Push On 1/2"	A/R
12	421-12	Hose Hydraulic SAE S/B N/S 3/4"	A/R

2* 259000060 Not Shown
 7* 159925385 Used from April 1998 to May 2000
 7** 159424400 Used from April 2000

Oil Cooler Swing Out Type





Oil Cooler (Swing Out Type)

Item No. Part No. Description Qty

1	205600001	Cooler Shroud Swing Out WA	1
2	163109241	Oil Cooler 10924S1 (Hayden)	1
3	205603001	Cooler Shroud Mount Bracket Swing Out WA (Round Bin)	1
4*	BL-6-004	Tee Special D222450120817 (Cooler)	1
4A	SP-4455	Tee 1/2" x 1 1/16" M UNO x JIC (JB7037)	1
5	200122350	Valve Relief Oil Cooler 350-600 PSI - Preset	1
6	39282-8-8	Swivel 3/4" BSPT x 1/2" POH	1
7	12F50X-S	Nipple 1/2" BSPF x 1 1/16" JIC Male	1
8	067852260	Blower Shroud Wing Head Stud Type H/D 85-12-260-16	1
9	067853420	Shroud Push On Retainer (85-34-201-20)	1
10	067854101	Shroud Receptacle (85-47-101-15)	1
11	035106151	Flat Washer Zp 1/4" ID x 9/16" OD	4
12	030130061	Nyloc Nut 1/4" UNC Zp	4
13	000080255	Bolt H/Head 5/16" UNC X 1" Gr5 Zp	2
14	035108161	Flat Washer Zp 5/16" ID x 5/8" OD	4
15	030130081	Nyloc Nut 5/16" UNC Zp	2
16	197203050	Rubber Cooler Mount 20 x 30 x 50mm	4
17	203154007	Cooler Mount Spacer Washer 20 x 30 x 3mm (10mm Hole)	4
18	000060635	Bolt H/Head 1/4" UNC X 2 1/2" Gr5 Zp	4
19	203154008	Cooler Mount Spacer RHS (Bolt On/Flat Bin)	N/A
20	197060051	Blower Rubber Seal (Pinchweld) 60-051SCH	0.65m
21	109500200	Hose Nyladuct 8" ND-200 (Cooler)	1m

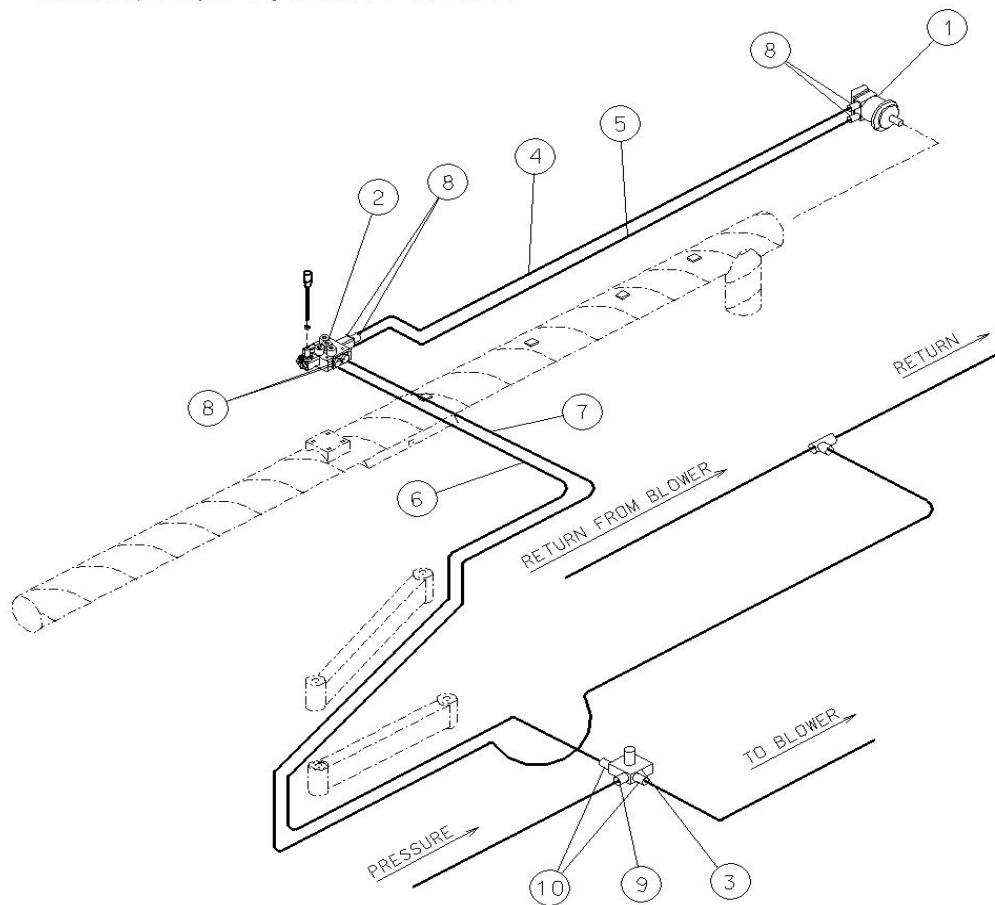
4* No Longer Used Only suits 3/4" BSP thread

19 No Longer Used

Loading Auger Hydraulic Circuit

200mm Diameter used Prior to April 2005

Loading Auger Hydraulic Circuit





Load Auger Hydraulic Circuit (200mm Diameter) **Used Prior to April 2005**

Item No.	Part No.	Description	Qty		
			6000	9000	12000
1	260902199	Motor Hydraulic EPM100COD	1	1	1
2	260902197	Spool Valve Directional P80R1-A8GKZ1-SC	1	1	1
3	260902198	Valve Diverter #303 31 12 Painted	1	1	1
4*	301-6	Hose Hydraulic SAE D/B N/S 3/8"	3.5m	3.5m	3.8m
5*	301-6	Hose Hydraulic SAE D/B N/S 3/8"	3.5m	3.5m	3.8m
6*	301-6	Hose Hydraulic SAE D/B N/S 3/8"	6m	6m	6m
7*	301-6	Hose Hydraulic SAE D/B N/S 3/8"	6m	6m	6m
8	8-8F40MXS	Nipple 1/2" BSPP O'Ring x 3/4" JIC Male	6	6	6
9	8-8F3MXS	Nipple 1/2" BSPP Male x 3/4" JIC Male	1	1	1
10	10-6F3MXS	Nipple 1/2" BSPT Male x 7/8" JIC Male	2	2	2

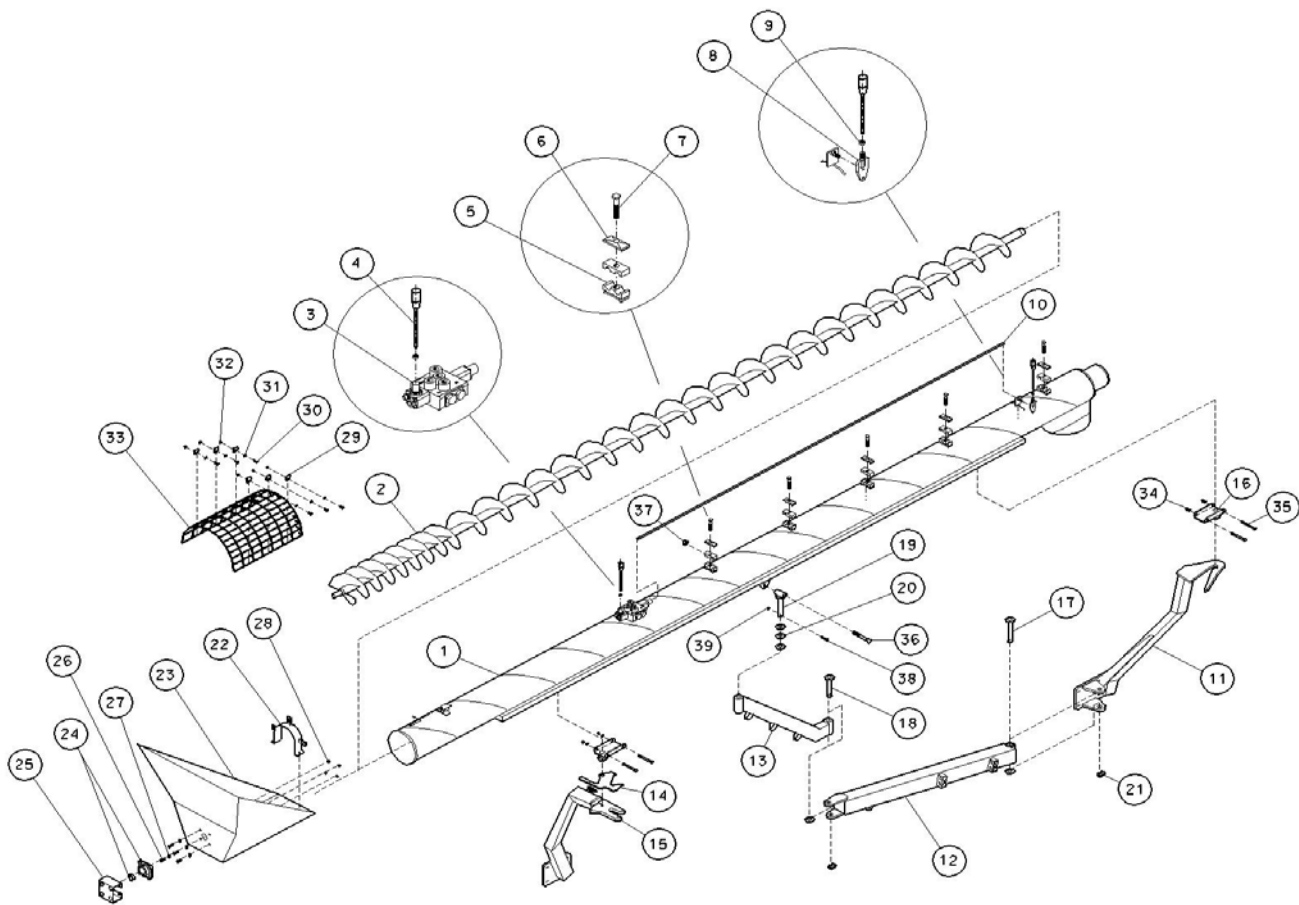
- 1 Seal kit for Motor - require shaft diameter at housing
- 1 158810028 Seal Kit - Suit 1 1/8" Dia Shaft at Housing
- 1 158810032 Seal Kit - Suit 1 1/4" Dia Shaft at Housing
- 1 158810025 Seal Kit - Suit 1" Dia Shaft at Housing

- 2 Used from May 2002 used to be a P40 Valve
- * Hose is Fitted with a Different Hose end to Item 4
- * From April 2005 used 1/2" lines

Loading Auger Assembly (5200mm)

200mm Diameter suit 6000 and 9000 Models

Used Prior to April 2005





Loading Auger Assembly(5200mm) 200mm Diameter suit 6000 and 9000 Models

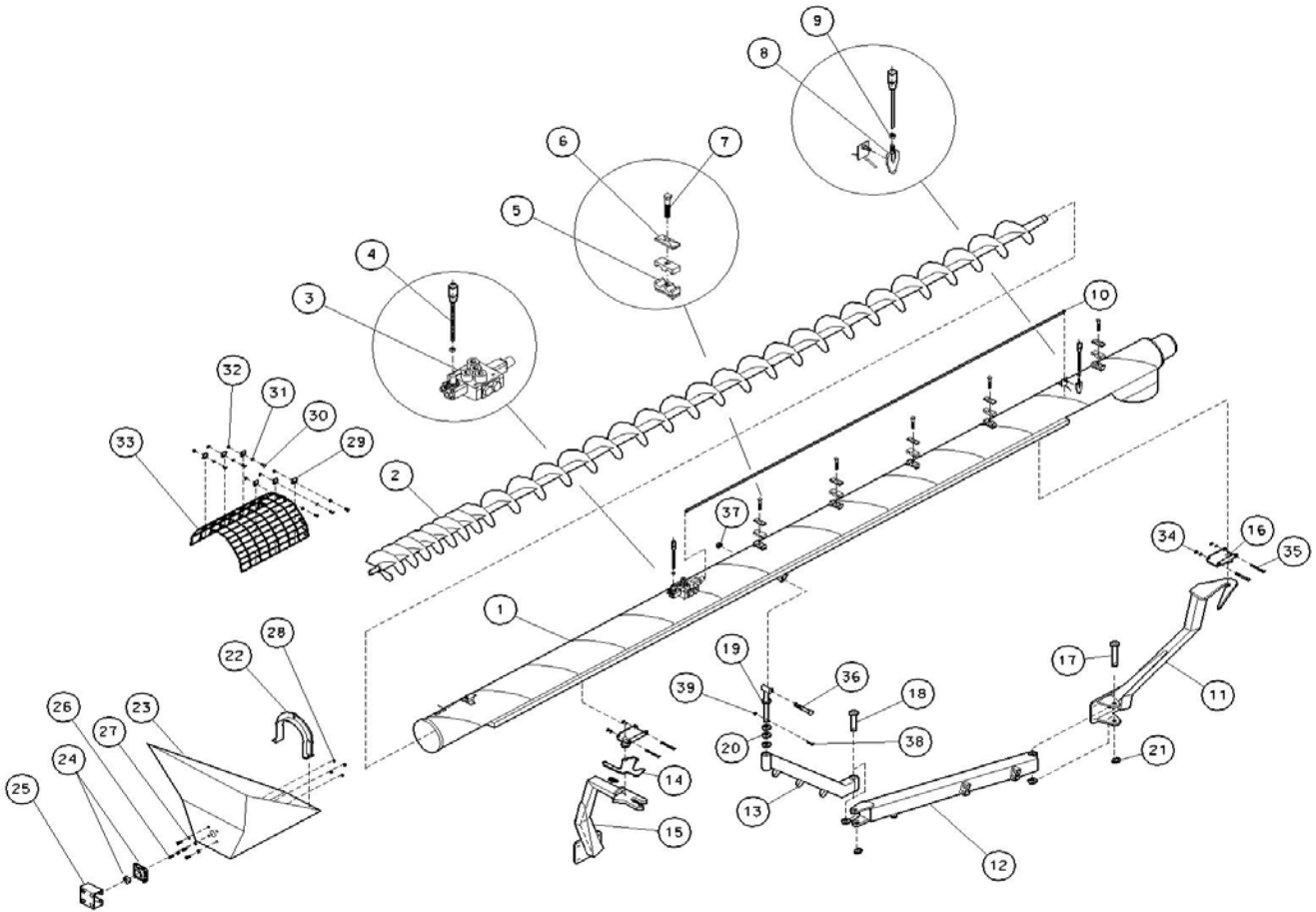
Used Prior to April 2005

Item No.	Part No.	Description	Qty 6/9000
1	261602011	Auger Barrel 8" x 5200mm WA	1
2	261605001	Auger Flight suit 8" Barrel RH	1
3	260902197	Spool Valve Directional P80R1-A8GKZ1-SC	1
4	261457015	Handle - Alum Knob c/w M8 x 150mm Bolt	A/R
4A	261457011	Handle - Alum Knob c/w M10 x 150mm Bolt	A/R
5	156243190	Clamp Pipe Double Jaw 19mm GRP 3D (x2)	5
6	156263000	Clamp Pipe Double Top Plate GRP 3D (325203)	1
6A	261457001	Auger Hydraulic Valve Link Guide WA	4
7	055080454	Bolt Stauff M8 X 45mm AS3	5
8	261308001	Auger 6" Hydraulic Control Lever WA	2
9	080110800	Nut Metric Crs Zp Hex M8	A/R
9A	080111000	Nut Metric Crs Zp Hex M10	A/R
10	260902144	Auger Valve Control Rod Assembly 8"	1
11	AU-8-121	Auger Mount Front Long Boss	1
12	AU-8-110	Arm Lower (DU) 6-9-12000 TT,TB & TQ	1
13A	AU-8-106	Auger Arm Upper (DU Bush Style)	
13B	AU-8-106TR	Auger Arm Upper (DU) TR Only	1
14	261301012	Auger 6" Latch Lever 6-12000 TT/TB/TQ	1
15	AU-8-020	Auger Mount Rear Suit 6/9000 TT/TB/TQ	1
16	261451001	Auger Top Pivot WA	2
17	261303001	6" Auger Lower Pin WA 223L x 1"	1
18	261305005	Upper Pin WA	1
19	261121001	Adjustable Pivot Pin WA 230mm (6" Auger)	1
20	AU-8-011	Washer Nylon	A/R
21	095310036	Lynch Pin 3/8" (S.3546)	2
22*	AU-8-033	Hopper Locating Bracket Front	1
23	261607001	Auger Hopper 8" WA	1
24	136620500	Bearing Housing Flange Square F205J (F205DI)	2
24A	135520525	Bearing UEL205 1" Bore	2
25	260902151	Auger Hopper Bearing Guard	1
26	000100325	Bolt H/Head 3/8" UNC X 1 1/4" Gr5 Zp	4
27	035110191	Flat Washer Zp 3/8" ID X 3/4" OD X 1.5mm	24
28	030130101	Nyloc Nut 3/8" UNC Zp	12
29	096008031	Auger Guard U-Clip for Safety Mesh	4
30	000060195	Bolt H/Head 1/4" UNC x 3/4" Gr5 Zp	6
31	035106151	Flat Washer Zp 1/4" ID x 9/16" OD	12
32	030130061	Nyloc Nut 1/4" UNC Zp	6
33	260902117	Auger 8" Hopper Mesh Guard	1
34	030130101	Nyloc Nut 3/8" UNC Zp	12
35	000101005	Bolt H/Head 3/8" UNC X 4" Gr5 Zp	4
36	000161145	Bolt H/Head 5/8" UNC X 4 1/2" Gr5 Zp	1
37	030130161	Nyloc Nut 5/8" UNC Zp	1
38	000060385	Bolt H/Head 1/4" UNC x 1 1/2" Gr5 Zp	1
39	030130061	Nyloc Nut 1/4" UNC Zp	1

	Not Shown		
*	AU-8-034	Hopper Mounting Bracket Rear	1

Loading Auger Assembly (5600mm)

12000 Litre (Used Prior to April 2005)





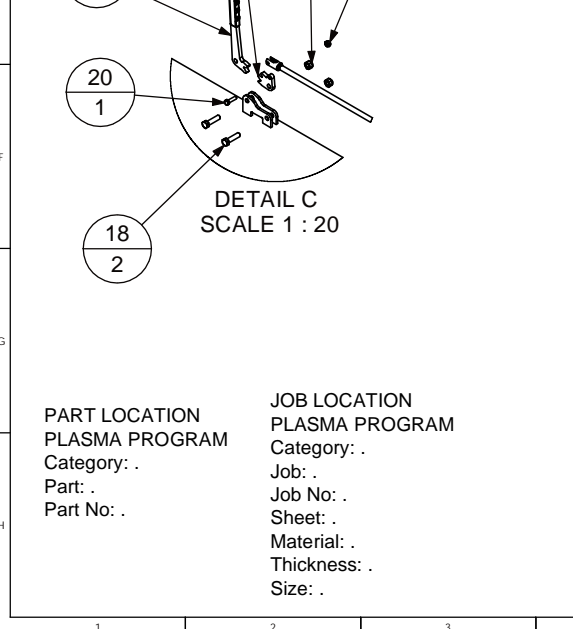
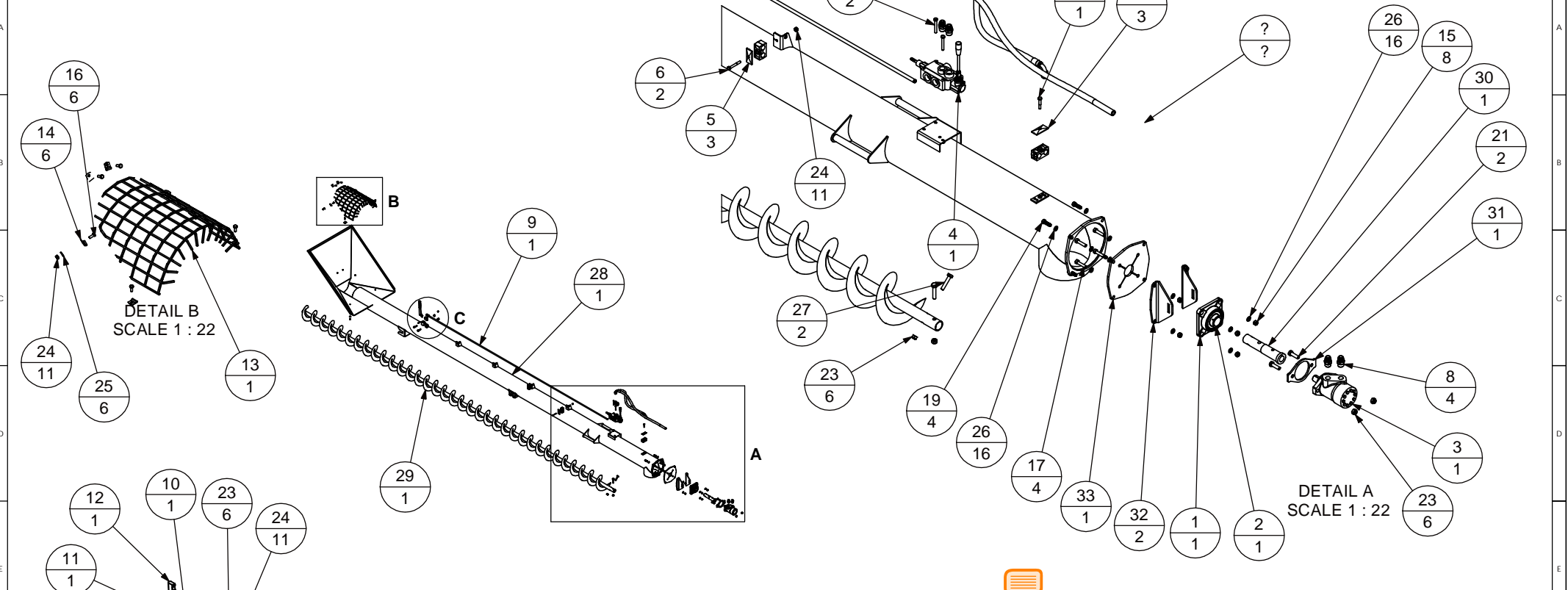
Loading Auger Assembly(5600mm)

200mm Diameter suit 12000 Model

Used Prior to April 2005

Item No.	Part No.	Description	Qty 12000
1	261603001	Auger Barrel 8" x 5600mm WA	1
2	261606001	Auger Flight 8" x 5600mm Suit 12000/TB-TQ WA	1
3	260902197	Spool Valve Directional P80R1-A8GKZ1-SC	1
4	261457015	Handle - Alum Knob c/w M8 x 150mm Bolt	A/R
4A	261457011	Handle - Alum Knob c/w M10 x 150mm Bolt	A/R
5	156243190	Clamp Pipe Double Jaw 19mm GRP 3D (x2)	5
6	156263000	Clamp Pipe Double Top Plate GRP 3D (325203)	1
6A	261457001	Auger Hydraulic Valve Link Guide WA	4
7	055080454	Bolt Stauff M8 X 45mm AS3	5
8	261308001	Auger 6" Hydraulic Control Lever WA	2
9	080110800	Nut Metric Crs Zp Hex M8	A/R
9A	080111000	Nut Metric Crs Zp Hex M10	A/R
10	260902144	Auger Valve Control Rod Assembly 8"	1
11	AU-8-021	Auger Mount Front 6-12000 TB/TQ	1
12	AU-8-110	Arm Lower (DU) 6-9-12000 TT,TB & TQ	1
13	AU-8-106	Auger Arm Upper (DU Bush Style)	1
13A	AU-8-106TR	Auger Arm Upper (DU) TR Only	1
14	261301012	Auger 6" Latch Lever 6-12000 TQ	1
15	AU-8-025	Auger Mount Rear WA 12/15000	1
16	261451001	Auger Top Pivot WA	2
17	261303001	6" Auger Lower Pin WA 223L x 1"	1
18	261305005	Upper Pin WA	1
19	261121001	Auger 6" Adjustable Pivot WA	1
20	AU-8-011	Washer Nylon	A/R
21	095310036	Lynch Pin 3/8" (S.3546)	2
22	AU-8-033	Hopper Locating Bracket Front	1
23	261607001	Auger Hopper 8" WA	1
24	136620500	Bearing Housing Flange Square F205J (F205DI)	2
24A	135220516	Bearing EW20516S 1"	2
25	260902151	Auger Hopper Bearing Guard	1
26	000100325	Bolt H/Head 3/8" UNC X 1 1/4" Gr5 Zp	8
27	035110191	Flat Washer Zp 3/8" ID X 3/4" OD X 1.5mm	16
28	030130101	Nyloc Nut 3/8" UNC Zp	8
29	096008031	Auger Guard U-Clip for Safety Mesh	4
30	000060195	Bolt H/Head 1/4" UNC x 3/4" Gr5 Zp	4
31	035106151	Flat Washer Zp 1/4" ID x 9/16" OD	8
32	030130061	Nyloc Nut 1/4" UNC Zp	4
33	260902117	Auger 8" Hopper Mesh Guard	1
34	030130101	Nyloc Nut 3/8" UNC Zp	4
35	000101005	Bolt H/Head 3/8" UNC X 4" Gr5 Zp	4
36	000161145	Bolt H/Head 5/8" UNC X 4 1/2" Gr5 Zp	1
37	030130161	Nyloc Nut 5/8" UNC Zp	1
38	000060385	Bolt H/Head 1/4" UNC x 1 1/2" Gr5 Zp	1
39	030130061	Nyloc Nut 1/4" UNC Zp	1

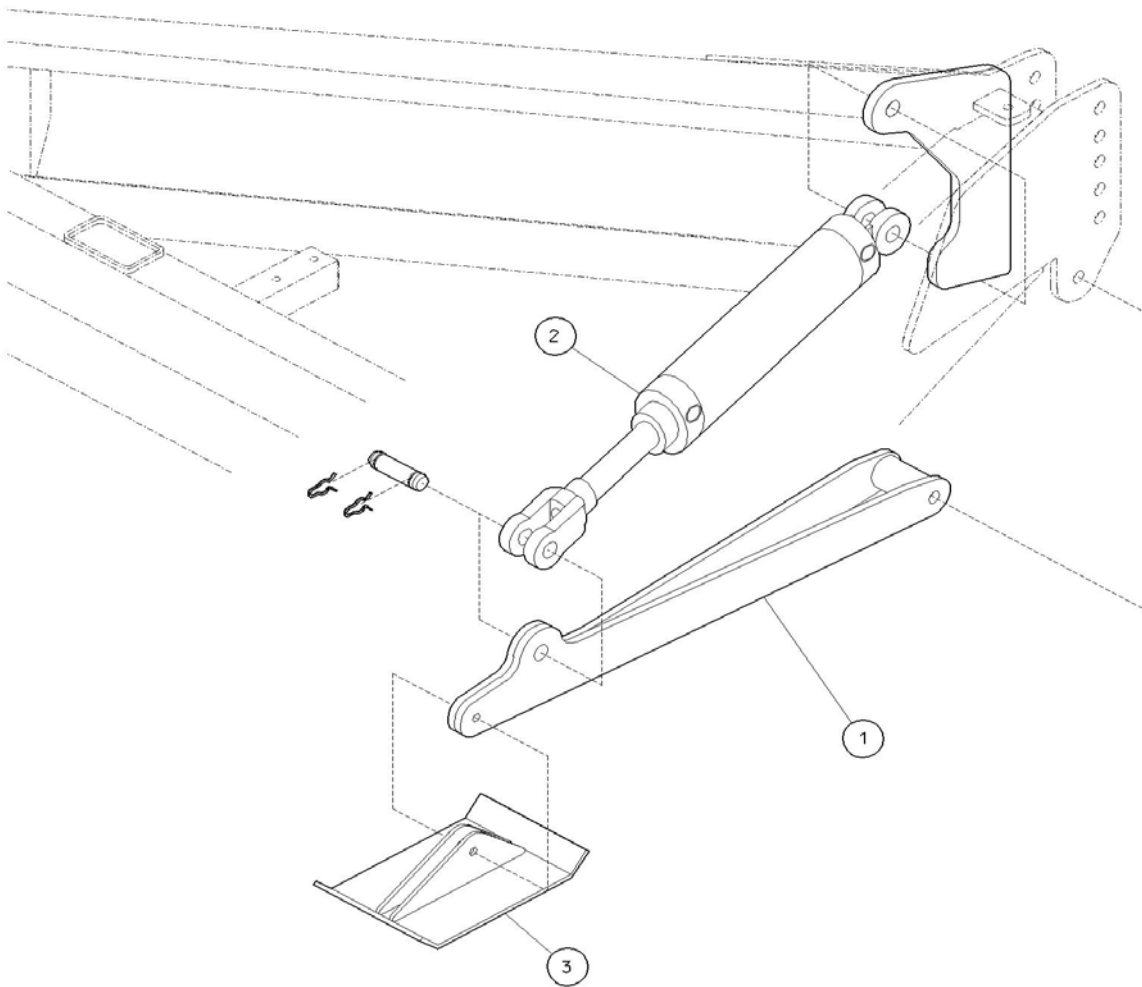
1	2	3	4	5	6	7	8	9	10	11	12		
REV.	ECN	DATE	BY	DESCRIPTION								DO NOT SCALE - IF IN DOUBT ASK	
03	00401	7/11/2007	TS	Now Has Hopper With Clearance									



36	151600034	Hyd Hose Assy H08-110 9014 LD9014	1	18	050120458	Bolt Hex Hd M12 x 1.75 x 45 Gr8.8	2
35	151600033	Hyd Hose Assy H08-110 9014 LD9014	1	17	050100458	Bolt H/Head ZP M10 x 1.5 x 45 Gr8.8	4
34	156243220	Clamp Pipe Double Jaw 22mm Gr 3 (x2)	3	16	050080208	Bolt H/Head Crs ZP M8 x 20mm Gr8.8	6
33	260902125	8" BARREL DRIVE BOX MNT. FLANGE	1	15	030130101	Nut Nyloc 3/8" UNC ZP	8
32	260902194	Motor Arm Retainer	2	14	096008031	Auger Guard U-Clip for Safety Mesh	6
31	260902193	Motor Mount Torque Arm	1	13	260902117	LOWER AUGER MESH COVER	1
30	260902192	Motor-Flight Connector shaft	1	12	197020115	MOULDED PLASTIC LID HANDLE GRIP	1
29	260902133	8" x 6m Barrel Flighting W.A.	1	11	260902150	REVERSER INPUT SECTOR	1
28	260902101	8" x 6m Barrel W.A.	1	10	260902149	REVERSER OUTPUT SECTOR	1
27	050120608	Bolt H/Head Met Crs Zp M12 x 60 Gr8.8	2	9	260902144	Valve Control Rod Assembly	1
26	085110000	Washer/Flat M10 ZP	16	8	15210F40MXS	7/8" JIC - 1/2" BSP Nipple	4
25	085108000	Flat Washer M8 ZP	6	7	055080454	Bolt Stauff M8 x 45mm AS3 (323203)	1
24	080120800	Nut Nyloc ZP M8 x 1.25	11	6	055080605	Bolt Stauff M8 X 60 ASS	2
23	080121200	Nut Metric Crs Nyloc ZP M12	6	5	156263000	Clamp Pipe Double Top Plate Gr 3D	3
22	050080608	Bolt H/Head ZP M8 x 1.25 x 60 Gr8.8	2	4	260902197	Spool Valve Directional P80R1-A8GKZ1-SC Painted	1
21	050120408	Bolt H/Head ZP M12 x 40	2	3	260902199	Motor Hydraulic EPM100COD Painted	1
20	050080308	Bolt H/Head M8 x 1.25 x 30 Gr8.8 ZP	1	2	135420824	Bearing UC-208-24S (UC208108D1)	1
19	050100358	Bolt H/Head ZP M10 x 1.5 x 35 Gr8.8	4	1	136620800	Bearing Flange (4 Bolt) F208 (F208D1)	1
ITEM	PART NUMBER	DESCRIPTION	Transport-RH side/Qty.	ITEM	PART NUMBER	DESCRIPTION	Transport-RH side/Qty.

Fabrication Note Finish:	General Tolerances <u>Linear Dimensions</u> X ±1mm (whole numbers) X.X ±0.5mm (one decimal place) X.XX ±0.25mm (two decimal places) <u>Angular Dimensions</u> All Angles ±2°	This drawing is the property of Simplicity (Australia) Pty. Ltd. It must not be used for any purpose other than that for which it is supplied. Reproduction in whole or part is prohibited without written authority from Simplicity (Australia) Pty. Ltd.	DRN: AJL DATE: 19/05/2004 APPR'D: DATE: / / SCALE: 1:75	SIMPLICITY (AUSTRALIA) PTY LTD 18 LOUDOUN RD DALBY 4405 PH (07) 4662 2977 FAX (07) 4662 4955 Simplicity Air Seeder Auger Auger Barrel Assy. 8"x6000 (6000 to 17000) DRAWING NUMBER 260902100	REV 03 SHEET 1 OF 1 A4
------------------------------------	---	--	---	---	-------------------------------

Hydraulic Jack Assembly 6/9/12000 TB Models

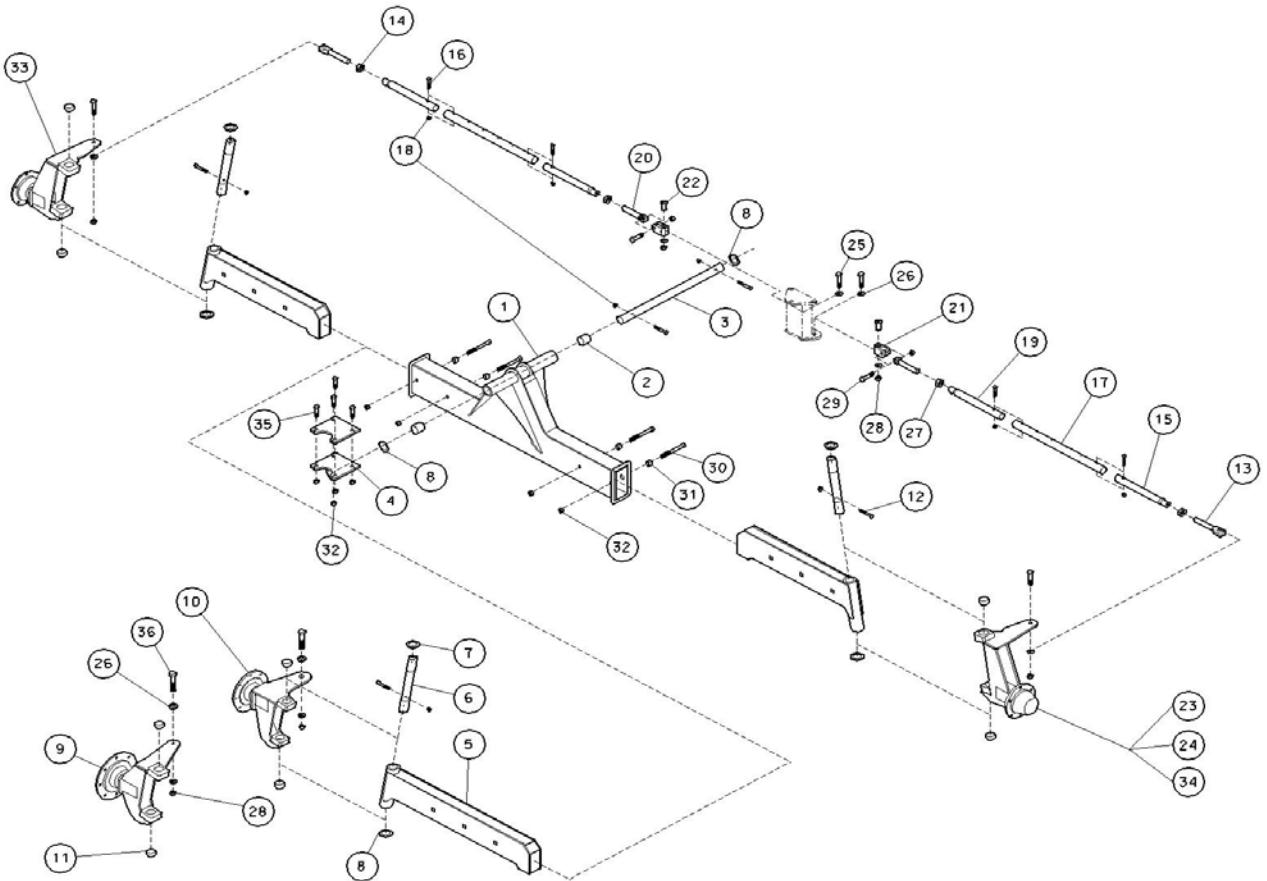




Hydraulic Jack Assembly TB Models 6/9/12000

Item No.	Part No.	Description	Qty
1	235160015	Jack Leg TB 6/9000 WA	1
2	160230120	Hyd Cylinder 3" x 12" x 1.5" Rod SLM3000-12-1500	1
3	235160011	Jack Foot TB 6/9000 WA	1

Quad Front End Assembly Section 1





Quad Front End Assembly Section 1

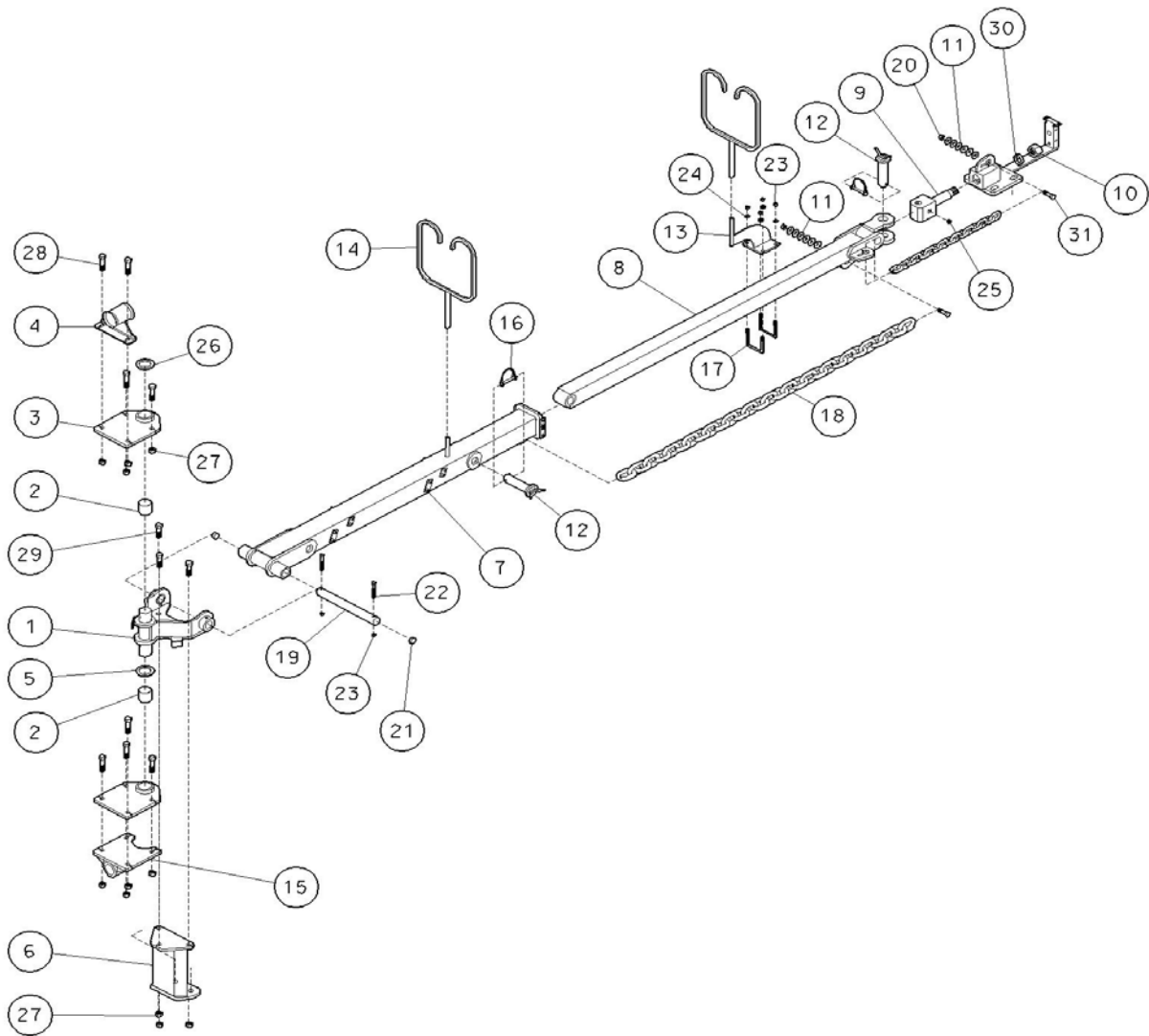
Used Prior to 2002

Item No.	Part No.	Description	Qty		
			6000	9000	12000
1	SQ06005	Rocker Carrier Arm Assy	1	1	1
2	137132032	Bush Teflon 2" ID x 2" Long 32DU32	2	2	2
3	235600091	Steerable Quad Pivot Pin	1	1	1
4	235600035	Rocker Shaft Retaining Block WA	2	2	2
5	QD-6-009	Quad Front Axle Beam WA 6000 Only	2	-	-
5A	QD-9-009	Quad Front Axle Beam WA 9 - 12000	-	2	2
6	QD-6-016	King Pin Steering 16 3/4" X 2"	2	2	2
7	235600092	Weather Ring (Plast) 2"IDX3"ODX1/4	3	3	3
8	138132093	Thrust Washer Glacier 2" ID x 0.093	4	4	4
9	QD-9-004	Quad Front Axle I/Hand 9000 Only	-	1	-
10	QD-12-004	Quad Front Axle I/Hand 12000 Only	-	-	1
11	137032024	Bush Teflon 2" ID x 1 1/2" Long 32DU24	4	4	4
12	000130895	Bolt H/Head 1/2" UNC X 3 1/2" Gr5 Zp	4	4	4
13	235600052	Steerable Quad Steer Linkage Ball End (3/4" LH)	2	2	2
14	030120282	Nut UNC Hand Lock 1-1/8" LH (Narrow)	2	2	2
15	QD-6-031	Steer Link L/H Outer	2	2	2
16	000130635	Bolt H/Head 1/2" UNC X 2 1/2" Gr5 Zp	4	4	4
17	QD-6-038	Steering Link Outer	2	2	2
18	030130131	Nyloc Nut 1/2" UNC Zp	8	8	8
19	QD-6-032	Steer Link R/H Inner	2	2	2
20	145600054	Quad Steering Linkage Eye Bolt R/H Thread	2	2	2
21	145600063	Quad Steering Linkage Fork (MTQ-036-SQ50)	2	2	2
22	235600055	Steerable Quad Steer Linkage Fork Spacer	2	2	2
23	QD-9-003	Quad Front Axle R/Hand 9000 Only	-	1	-
24	QD-6-003	Quad Front Axle R/Hand 6000 Only	1	-	-
25	000191005	Bolt H/Head 3/4" UNC X 4" Gr5 Zp	2	2	2
26	035119380	Flat Washer Zp 3/4" ID x 1 1/2" OD	2	2	2
27	N-28L	Nut 1 1/8" BSW Lock	2	2	2
28	030130191	Nyloc Nut 3/4" UNC Zp	4	4	4
29	000190755	Bolt H/Head 3/4" UNC X 3" Gr5 Zp	4	4	4
30	000161505	Bolt H/Head 5/8" UNC X 6" Gr5 Zp	4	4	4
31	QD-6-079	Bush 16.5 ID x 32 x 20 L	4	4	4
32	030130161	Nyloc Nut 5/8" UNC Zp	4	4	4
33	QD-6-004	Quad Front Axle L/Hand 6000 Only	1	-	-
34	QD-12-003	Quad Front Axle R/Hand 12000 Only	-	-	1
35	000160505	Bolt H/Head 5/8" UNC X 2" Gr5 Zp	8	8	8
36	000190895	Bolt H/Head 3/4" UNC X 3 1/2" Gr5 Zp	2	2	2
37	235600036	Rocker Shaft Retaining Block Plate	2	2	2

230600000	Quad Kit Less Wheels Imperial	1	-	-
230900000	Quad Kit Less Wheels Imperial	-	1	-
230120000	Quad Kit Less Wheels Imperial	-	-	1
230601000	Quad Kit Less Wheels Metric	1	-	-
230901000	Quad Kit Less Wheels Metric	-	1	-
230121000	Quad Kit Less Wheels Metric	-	-	1

See Pages 65-68 for Alternatives

Quad Front End Assembly Section 2



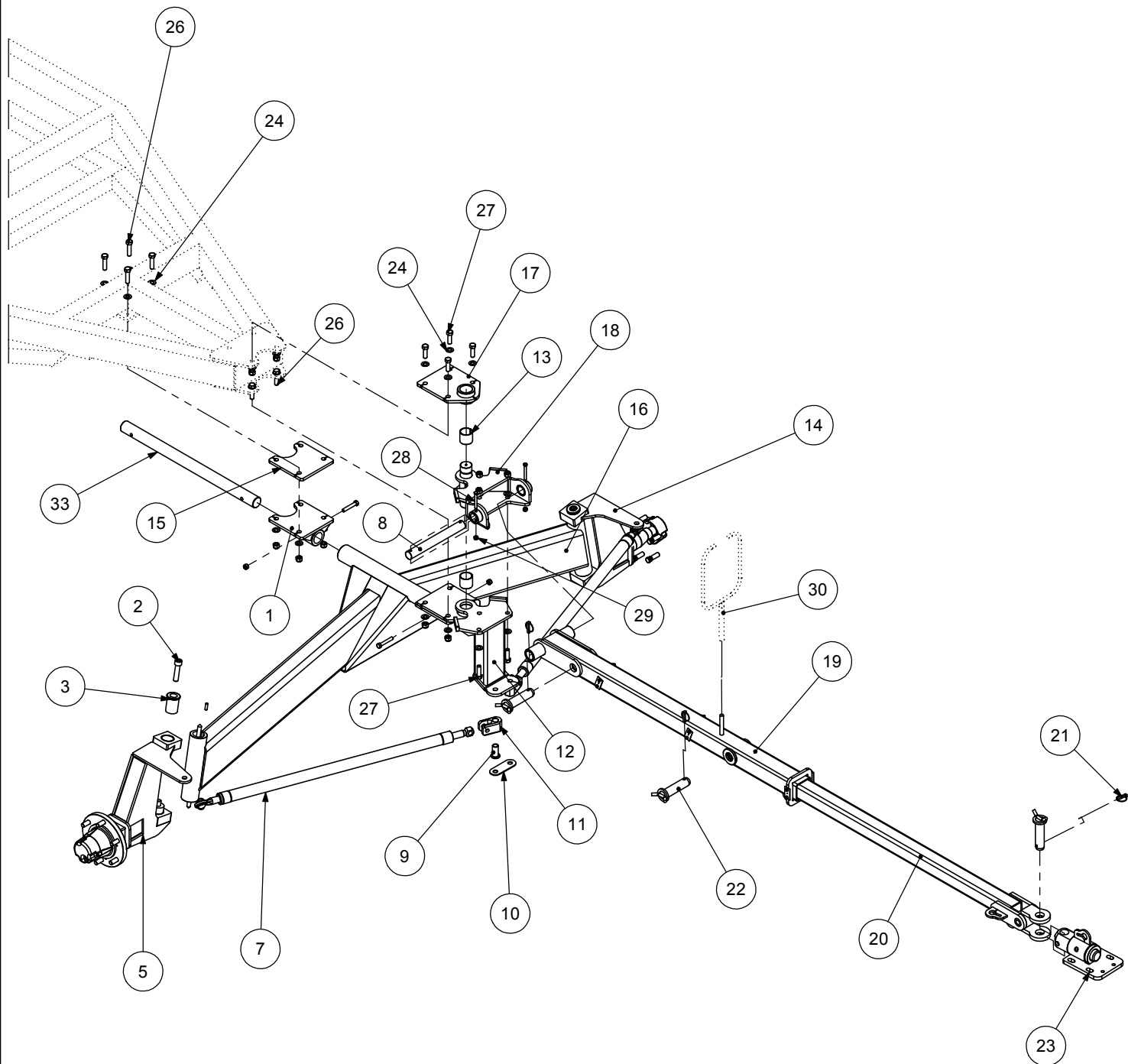


Quad Front End Assembly Section 2

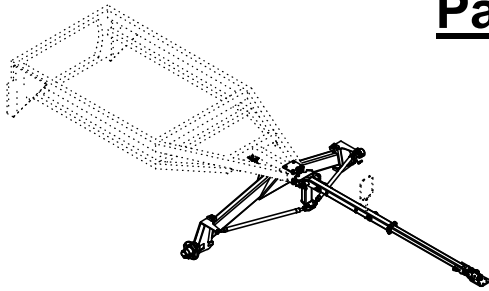
Item No.	Part No.	Description	Qty
1*	235601081	Steerable Quad Steer Yoke WA (50mm Pin) To Suit old	1
1A*	235600081	Steerable Quad Steer Yoke WA (2" Pin)	1
2*	137132032	Bush Teflon 2" ID x 2" Long 32DU32	2
2A*	137131031	Bush Teflon 50mm ID x 50mm Long 5050DU	2
3*	235601071	Steerable Quad Steer Pivot Plate & Bush WA (50mm Pin)	2
3A*	235600071	Steerable Quad Steer Pivot Plate & Bush WA (2" Pin)	2
4	QD-6-017	Hydraulic Hose Holder	1
5	138132093	Thrust Washer Glacier 2" ID x 0.093	5
6	235600041	Steerable Quad Dropper WA	1
7	233360015	Steerable Quad Pull Bar Outer WA	1
7A	233315015	Steerable Quad Dual Blower Pull Bar Outer WA	1
8	233360001	Steerable Quad Pull Bar Inner WA	1
9	233390031	Steerable Quad Swivel Hitch 110 Base Assy Suit 1 1/4" Pin	1
10	032130322	Nyloc Nut 1 1/4" UNF ZP	1
11	035116351	Flat Washer Zp 5/8" ID x 1 3/8" OD x 2mm	6
12	233360023	Steerable Quad Pull Pin WA	1
13	235600015	Hose Holder Mount WA	1
14	235600011	Hose Holder 6 Way (For 3" Hose) WA	2
15	235600035	Rocker Shaft Retaining Block WA	1
16	095310036	Lynch Pin 3/8" (S.3546)	2
17	020075075	U Bolt 3/8" x 3" x 3" UNC Zp	2
18	099118003	Chain Transport Gold 8mm Grade 70 Zp	1m
19	235600090	Steerable Quad Yoke Pull Pin	1
20	030130131	Nyloc Nut 1/2" UNC Zp	2
21	137124032	Bush Teflon 1 1/2" ID x 2" Long 24DU32	2
22	000100755	Bolt H/Head 3/8" UNC X 3" Gr5 Zp	2
23	030130101	Nyloc Nut 3/8" UNC Zp	4
24	035110251	Flat Washer Zp 3/8" Id x 1" Od x 1mm	4
25	111206000	Grease Nipple 1/4" UNF Straight	1
26	QD-6-041	Weather Ring (Plastic) 2"IDX3"ODX1/4	2
27	030130161	Nyloc Nut 5/8" UNC Zp	8
28	000160505	Bolt H/Head 5/8" UNC X 2" Gr5 Zp	4
29	000160505	Bolt H/Head 5/8" UNC X 2" Gr5 Zp	3
30	235600050	Swivel Hitch Thrust Washer	1
31	000130385	Bolt H/Head 1/2" UNC X 1 1/2" Gr5 Zp	2

* Confirm if Metric or Imperial

6000 Front Steer Kit Part No. - 230601010

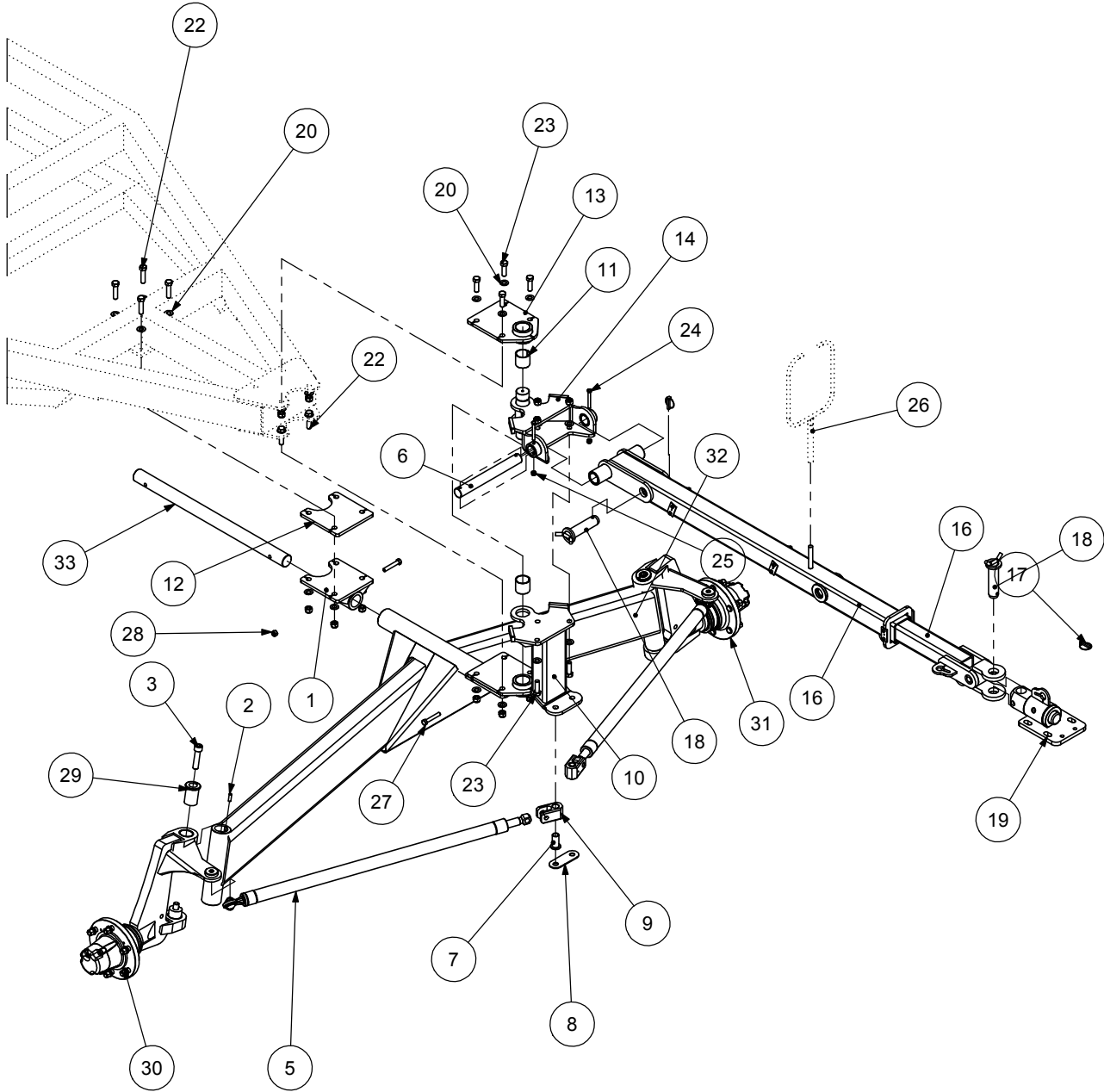


6000 Front Steer Kit Part No. - 230601010

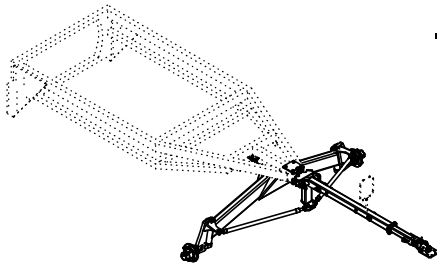


ITEM	PART NUMBER	DESCRIPTION	QTY.
1	235600035	Rocker Shaft Retaining Block WA	2
2	060010025	M20 x 80mm Cap Screw ZP	4
3	230602007	AXLE PIVOT BILLET	4
4	090210030	Dowel Pin M10 x 30 Hardened	4
5	230602020	6000 Front Axle Assy. - RH	1
6	235600052	6/9/12/15 Steer Quad Linkage Ball End	2
7	235602050	Steer Link Assy. - SQ 6/9/12/15	2
8	235600090	Steer Quad Yoke Pull Pin	1
9	235600055	Linkage Fork Spacer	2
10	235600053	Quad Steering Linkage Backing Plate	1
11	235600056	6/9/12/15 Steerable Quad Linkage Fork	2
12	235601041	SQ Steering Dropper WA - (TT Upgrade)	1
13	137131031	Bush/Glacier 50 ID X 50 Long	2
14	230602010	6000 Front Axle Assy. - LH	1
15	235600036	Retaining Block Plate	1
16	230601001	Quad 6/9/12 - 3m SQ Walking Beam W.A.	1
17	235601071	SQ Steer Pivot Plate & Bush W.A. Suit 50mm	2
18	235601081	6/9/12 Steer Yoke W.A. (Metric TT Upgrade)	1
19	233360015	PULL BAR OUTER	1
20	233360001	Pull Bar Inner WA	1
21	095310036	Lynch Pin 3/8" S.3546	3
22	233360023	PIN - 1-1/2" x 125	3
23	233330048	Swv Hitch slotted TQ Base WA (Suit 1 1/2" Pin)	1
24	035116351	Flat Washer 5/8"ID x 1-3/8"OD ZP	30
25	030130161	Nut UNC ZP Nyloc 5/8"	15
26	000160635	Bolt H/Head 5/8" UNC x 2" 1/2" Gr5 ZP	8
27	000160505	BOLT H/HEAD 5/8" UNC x 2" Gr5 ZP	7
28	000100575	Bolt/Hex 3/8" UNC x 3" Gr5 ZP	2
29	030130101	Nut Nyloc 3/8" UNC ZP	2
30	235600011	Hose Holder 6 Way (For 3" Hose) WA	1
31	000130755	BOLT H/HEAD 1/2" UNC X 3" Gr5 ZP	2
32	030130131	Nut/Nyloc 1/2" UNC ZP	2
33	235600091	Steerable Quad Pivot Pin (TT upgrade)	1

6000 Front Steer Kit (TT Upgrade Only!) Part No. - 230601000

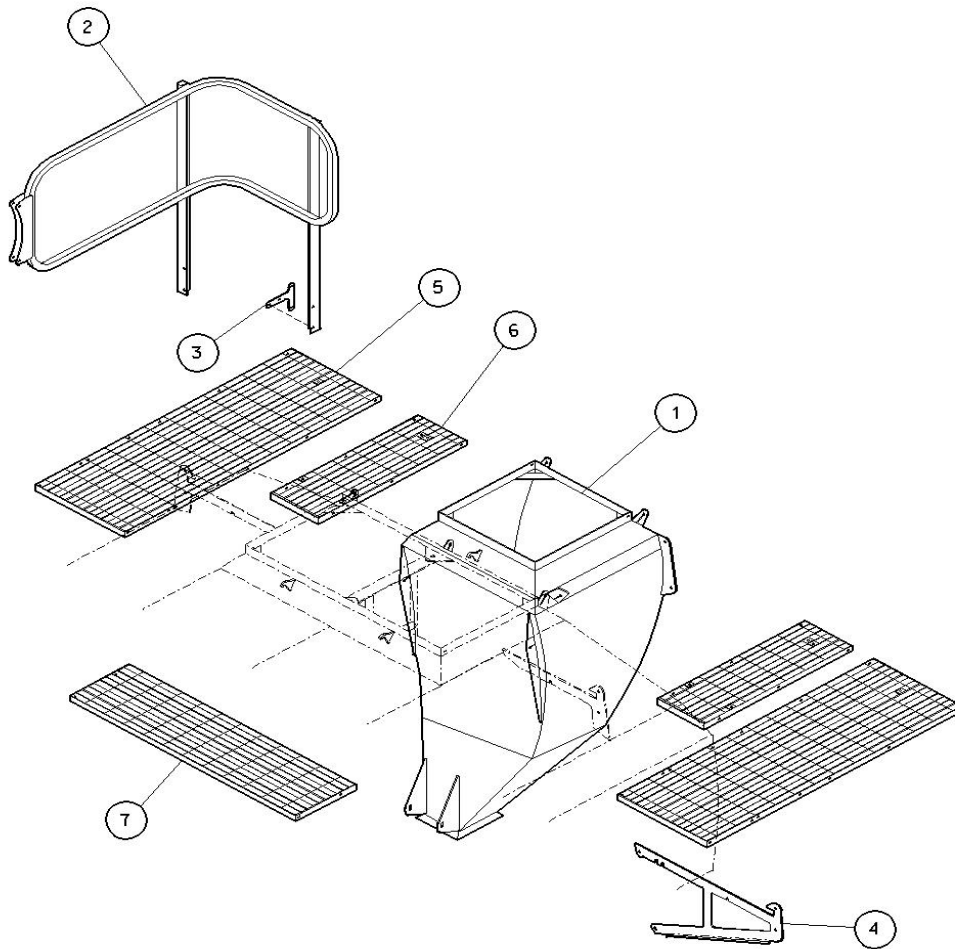


6000 Front Steer Kit (TT Upgrade Only!) Part No. - 230601000



ITEM	PART NUMBER	DESCRIPTION	QTY.
1	235600035	Rocker Shaft Retaining Block WA	2
2	090210030	Dowel Pin M10 x 30 Hardened	4
3	061120080	Cap Screw M20 x 80 Black	4
4	235600052	6/9/12/15 Steer Quad Linkage Ball End	2
5	235602050	Steer Link Assy. - SQ 6/9/12/15	2
6	235600090	Steer Quad Yoke Pull Pin	1
7	235600055	Linkage Fork Spacer	2
8	235600053	Quad Steering Linkage Backing Plate	1
9	235600056	6/9/12/15 Steerable Quad Linkage Fork	2
10	235601041	SQ Steering Dropper WA - (TT Upgrade)	1
11	137131031	Bush/Glacier 50 ID X 50 Long	2
12	235600036	Retaining Block Plate	1
13	235601071	SQ Steer Pivot Plate & Bush W.A.Suit 50mm	2
14	235601081	6/9/12 Steer Yoke W.A. (Metric TT Upgrade)	1
15	233360015	PULL BAR OUTER	1
16	233360001	Pull Bar Inner WA	1
17	095310036	Lynch Pin 3/8" S.3546	2
18	233360023	PIN - 1-1/2" x 125	2
19	233330048	Swv Hitch slotted TQ Base WA (Suit 1 1/2" Pin)	1
20	035116351	Flat Washer 5/8"ID x 1-3/8"OD ZP	30
21	030130161	Nut UNC ZP Nyloc 5/8"	15
22	000160635	Bolt H/Head 5/8" UNC x 2" 1/2" Gr5 ZP	8
23	000160505	BOLT H/HEAD 5/8" UNC x 2" Gr5 ZP	7
24	000100575	Bolt/Hex 3/8" UNC x 3" Gr5 ZP	2
25	030130101	Nut Nyloc 3/8" UNC ZP	2
26	235600011	Hose Holder 6 Way (For 3" Hose) WA	1
27	000130755	BOLT H/HEAD 1/2" UNC X 3" Gr5 ZP	2
28	030130131	Nut/Nyloc 1/2" UNC ZP	2
29	230603004	Stub Axle Pivot Pin	4
30	230603010	6000 Stub Axle RH Assy - Steerable	1
31	230603020	6000 Stub Axle LH Assy - Steerable	1
32	230602022	3m SQ Rocker W.A. (TT Upgrade Only!)	1
33	235600091	Steerable Quad Pivot Pin (TT upgrade)	1

300 Litre Small Seeds Box Assembly Available On 6000 Litre Only





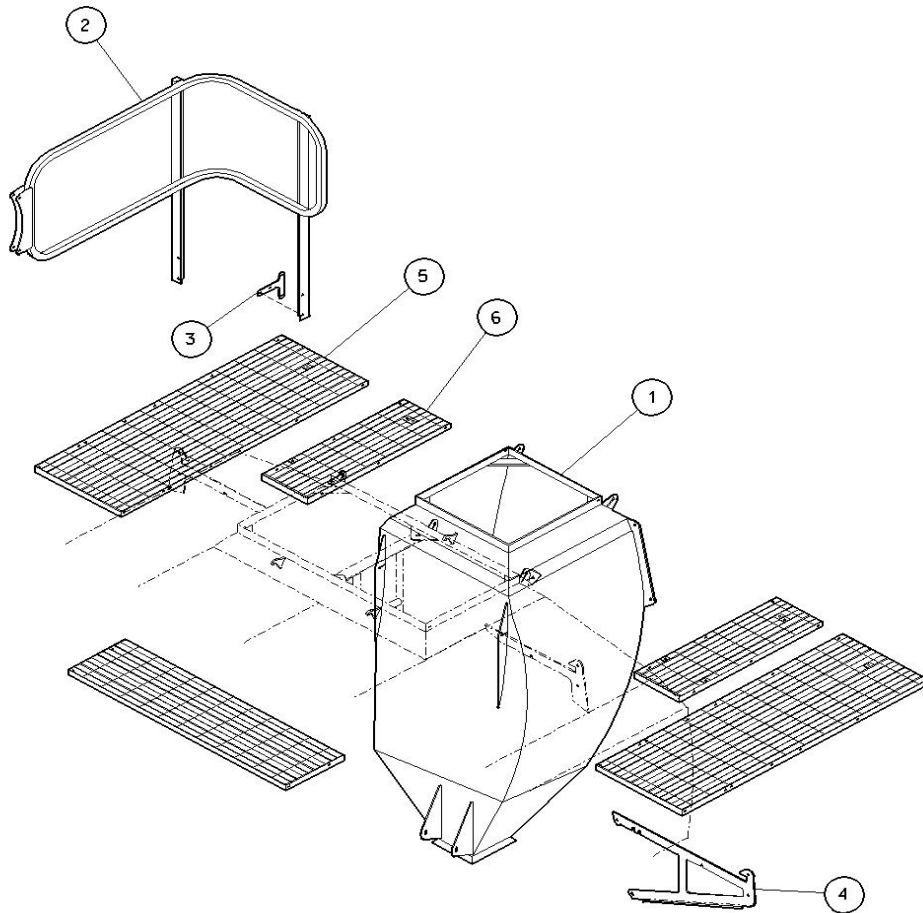
300 Litre Small Seeds Box Suit 6000 Litre Model Only

Item No.	Part No.	Description	Qty
1	201300001	Bin Small Seeds Box 300l WA Less Lid	1
2	206602026	Handrail Suit SSB 300/450/600L	1
3	206200001	Handrail Mounting Bracket Small Seeds Box	2
4	201300011	Bin Small Seeds Box 300l Walkway Mount Bracket	2
5	193453110	Walkway Serated Grating 453 X 1100mm	2
6	193243850	Walkway Serated Grating 243 x 850mm Gal	2
7	193393065	Walkway Serated Grating 393 x 650mm Gal	1



450 Litre Small Seeds Box Assembly

Available On 9000 Litre Only



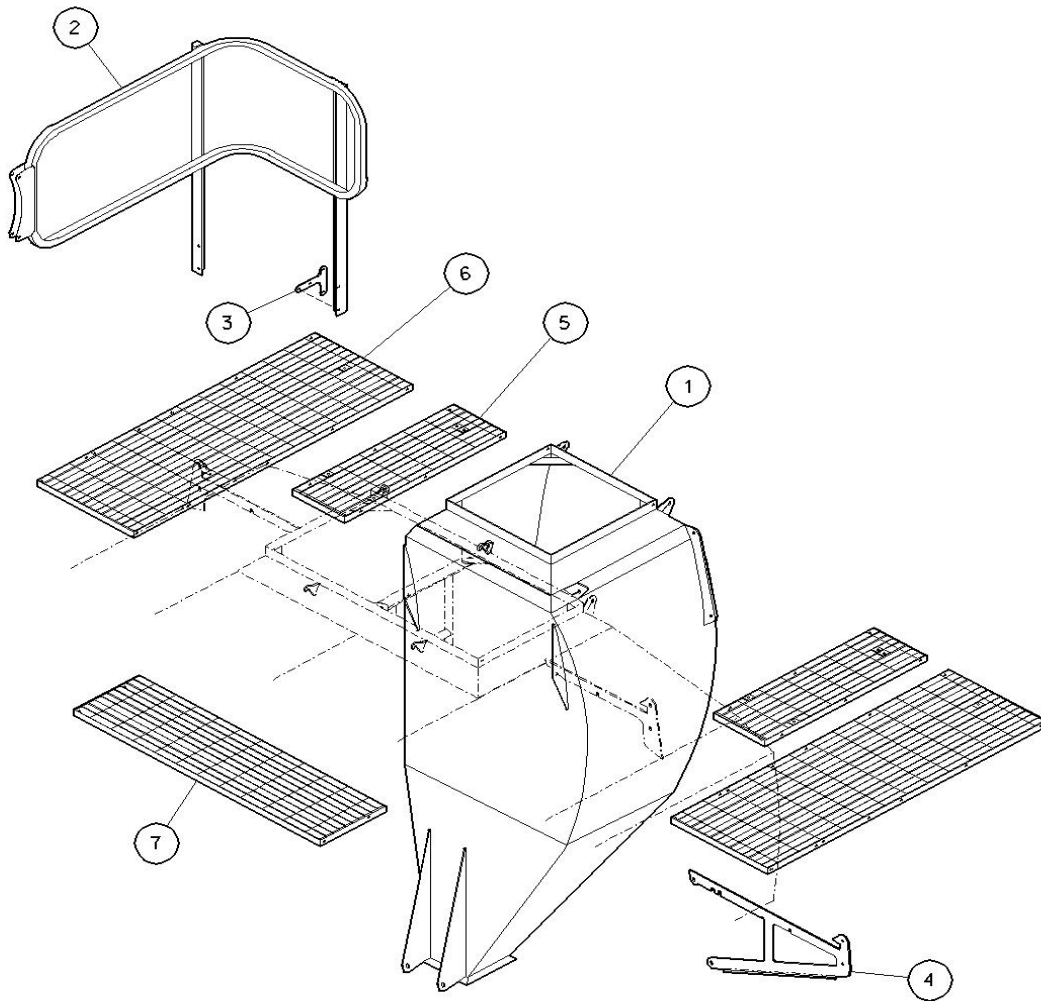


450 Litre Small Seeds Box Suit 9000 Litre Model Only

Item No.	Part No.	Description	Qty
1	201450001	Bin Small Seeds Box 450l WA Less Lid	1
2	206602026	Handrail Suit SSB 300/450/600L	1
3	206200001	Handrail Mounting Bracket Small Seeds Box	2
4A	201600008	Walkway Mount Bracket L/H SSB 450/600L	1
4B	201600009	Walkway Mount Bracket R/H SSB 450/600L	1
5	193453110	Walkway Serated Grating 453 X 1100mm	2
6	193243850	Walkway Serated Grating 243 x 850mm Gal	2
7	193393115	Walkway Serated Grating 393 x 1150mm Gal	1



600 Litre Small Seeds Box Assembly Suit 12000 and 15000 Litre Models Only





600 Litre Small seeds Box

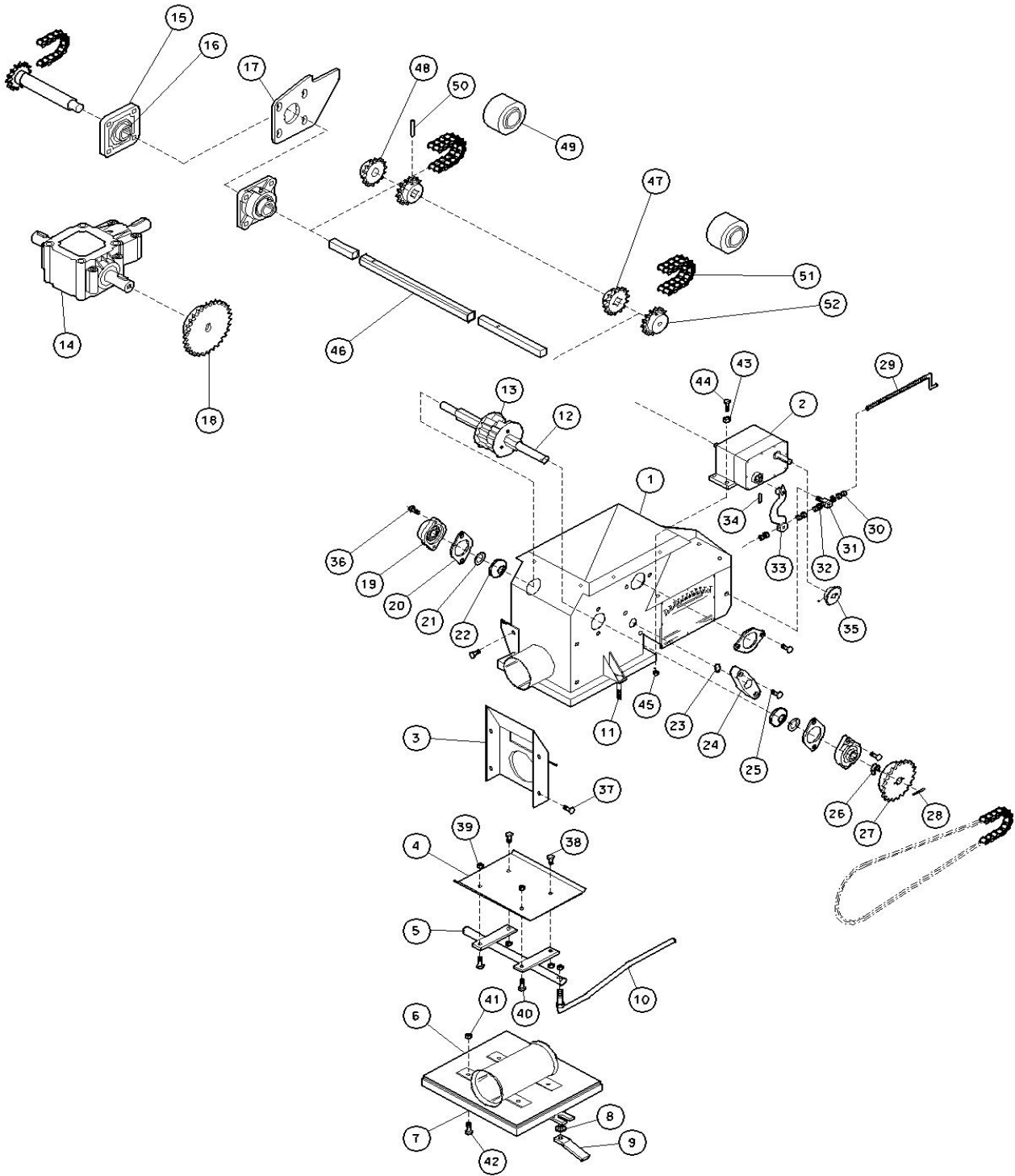
Suit 12000 and 15000 Litre Models Only

Item No.	Part No.	Description	Qty
1	201600001	Bin Small Seeds Box 600l WA Suit 12/15000 (Less Lid)	1
2	206602026	Handrail Suit SSB 300/450/600L	1
3	206200001	Handrail Mounting Bracket Small Seeds Box	2
4A	201600008	Bin Small Seeds Box 450/600l Walkway Mount Bracket LH	1
4B	201600009	Bin Small Seeds Box 450/600l Walkway Mount Bracket RH	1
5	193243750	Walkway Serated Grating 243 x 750mm Gal	2
6	193453130	Walkway Serated Grating 453 x 1300mm Gal	2
7	193393115	Walkway Serated Grating 393 x 1150mm Gal	1



Small Seeds Box Metering Unit

Suit TB Model





Small Seeds Box Metering Unit Suit TB Models

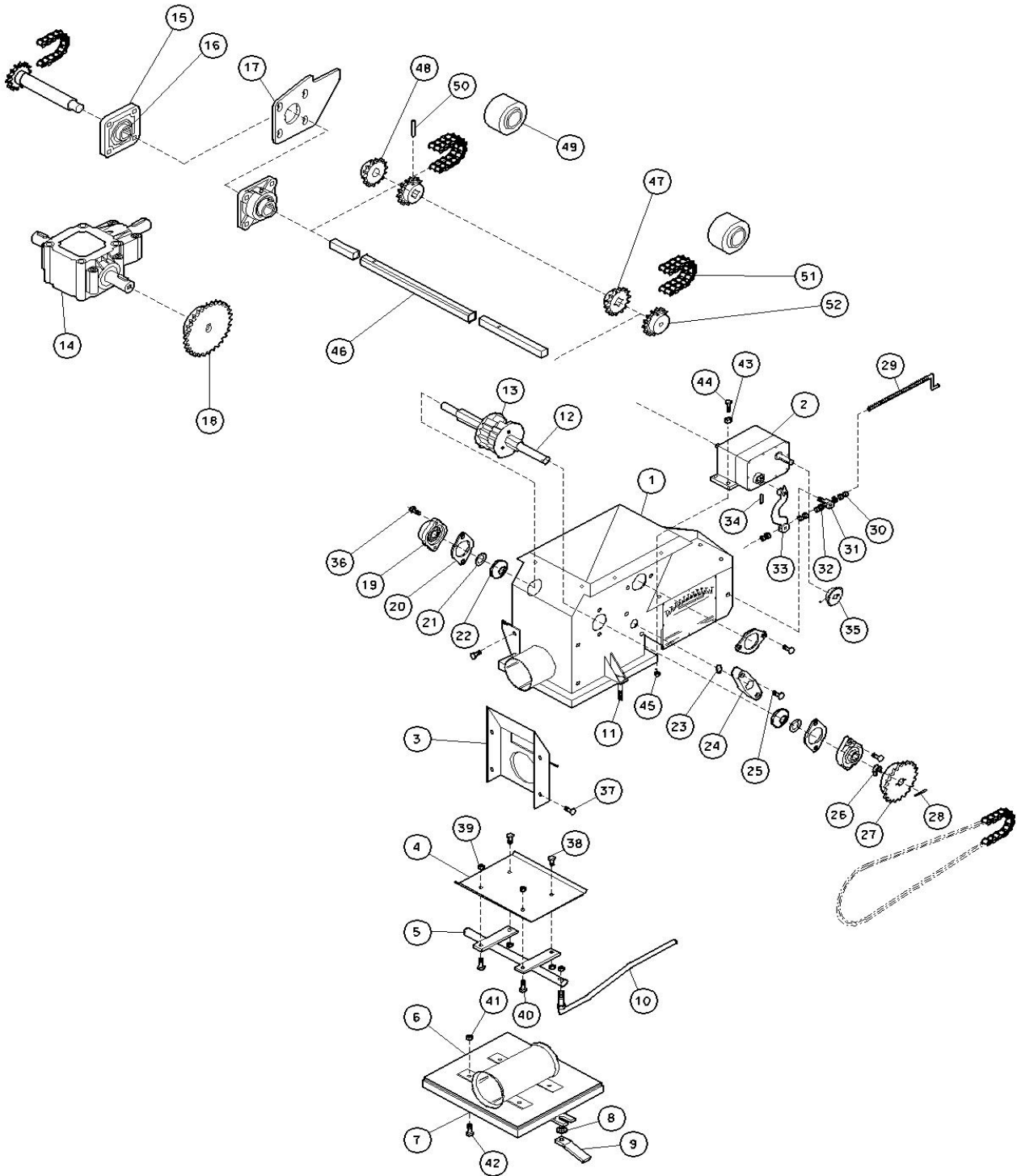
Item No.	Part No.	Description	Qty
1	MUS-0902	Metering Unit Shell Over SSB	1
2	130000020	Gearbox E2 Zero Max	1
3	208100020	Metering Unit Small Seeds Box Port Plate Assy (Hucked)	1
4	208100047	Metering Unit Small Seeds Box Clean Out Door	1
5	208100055	Metering Unit Small Seeds Box Clean Out Door Shaft WA	1
6	208100016	Metering Unit Small Seeds Box Bottom Door Rubber 232 x 197 x	1
7	208100012	Metering Unit Small Seeds Box Bottom Door WA	1
8	035110191	Flat Washer Zp 3/8" ID X 3/4" OD X 1.5mm	2
9	208100060	Metering Unit Small Seeds Box Wing Nut	2
10	208100051	Metering Unit Small Seeds Box Clean Out Door Handle WA	1
11	208100061	Metering Unit Small Seeds Box Bottom Door Bolt WA	2
12	208100100	Metering Unit Small Seeds Box Spool Shaft	1
13	208100092	Metering Unit Small Seeds Box Spool Assembly	1
14	130010111	Gearbox RV10-111 Ratio 3.25:1	1
15	136620500	Bearing Housing Flange Square F205J (F205DI)	2
16	135220616	Bearing EN205-16S 1" Bore	2
17	212602013	Chassis TB2 6/9/12000 Small Seeds Box Layshaft Pla	1
18	127120305	Sprocket Steel Boss BS 1/2" x 30T 25 Bore & 8mm Keyway	1
19	208400130	Metering Unit Bearing Assy c/w Gasket (MU-6-050)	2
20	197001626	Bearing Gasket (Small) Metering Unit	2
21	035316320	Flat Washer S-Steel 5/8" x 1 1/4" (MU-SW)	2
22	197161687	Seal Mechanical 5/8" Shaft 1.687mm OD	2
23	197192535	O'Ring Shaft N9-210 3/4" ID x 1" OD x 0.139"	2
24	137308846	Trap Door Bush Metering Unit (1/8846)	2
25	010208025	Cap Screw Zp BSW 5/16" X 1"	4
26	193003765	Sprocket Retainer Clip Metering Unit (MU-SRC)	1
27	208400162	Metering Unit Spkt 21T 1/2" BS Bored 1" & Drilled (No Keyway)	1
28	208400098	Metering Unit Sprocket Drive Pin (MU-6-070)	1
29	209600001	Rate Adjuster Screw WA	1
30	030110081	Nut UNC Zp Hex 5/16"	2

Not Shown:

208200027	Metering Unit Small Seeds Box Notch Plate
208100063	Metering Unit Small Seeds Box Flow Thru Tube WA
208100070	Metering Unit Small Seeds Box Coarse Seeds Plate

Small Seeds Box Metering Unit

TB Model Cont.



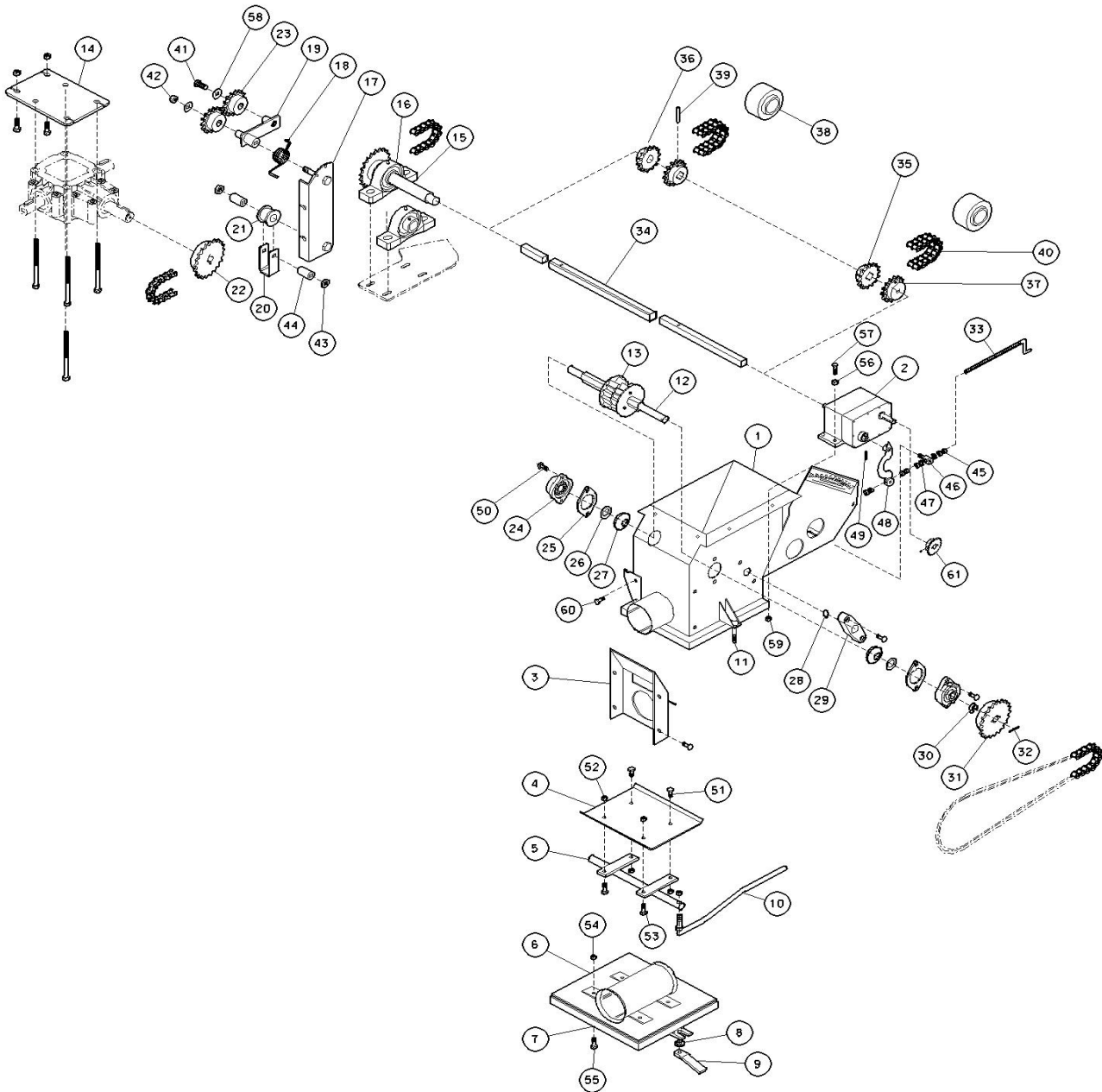


Small Seeds Box Metering Unit Suit TB Models Cont.

Item No.	Part No.	Description	Qty
31	290601007	Screw Swivel Long - SS Box	1
32	030130081	Nyloc Nut 5/16" UNC Zp	2
33	208102111	Metering Unit Small Seeds Box Calibration Dial Pointer	1
34	013110613	Grub Screw 1/4" UNC X 1/2" Zp	2
35	208400167	Metering Unit Sprocket 14 Tooth 1/2" BS Sleeved to 3/8", Drill & Tapped 1/4"	1
36	010208025	Cap Screw Zp BSW 5/16" X 1"	4
37	010106019	Cap Screw Zp UNC 1/4" X 3/4"	8
38	000060135	Bolt H/Head 1/4" UNC x 1/2" Gr5 Zp	6
39	030130061	Nyloc Nut 1/4" UNC Zp	2
40	010106012	Cap Screw Zp UNC 1/4" X 1/2"	6
41	030130061	Nyloc Nut 1/4" UNC Zp	4
42	010106025	Cap Screw Zp UNC 1/4" X 1"	2
43	030130101	Nyloc Nut 3/8" UNC Zp	2
44	010106025	Cap Screw Zp UNC 1/4" X 1"	2
45	030130061	Nyloc Nut 1/4" UNC Zp	2
46	290000077	Electric MU Drive Tube (90 mm Long)	1
47	126131406	Sprocket Plastic Boss BS 1/2" x 14T Thin 16mm Sq Bore	2
48	126131402	Sprocket Plastic Boss BS 1/2" x 14T Thin 19mm Keyed Bore	1
49	131000004	Drive Shaft Rubber Chain Boot	2
50	208400098	Metering Unit Sprocket Drive Pin	1
51	125412120	Chain 1/2" BS Duplex 13L & Con 1/2" (BS08B2)	2
52	290000036	Sprocket Plastic Boss BS 3/8" 'D' Bore x 14T Drilled/Tapped	1

Small Seeds Box Metering Unit

Suit Trailed Rear Models



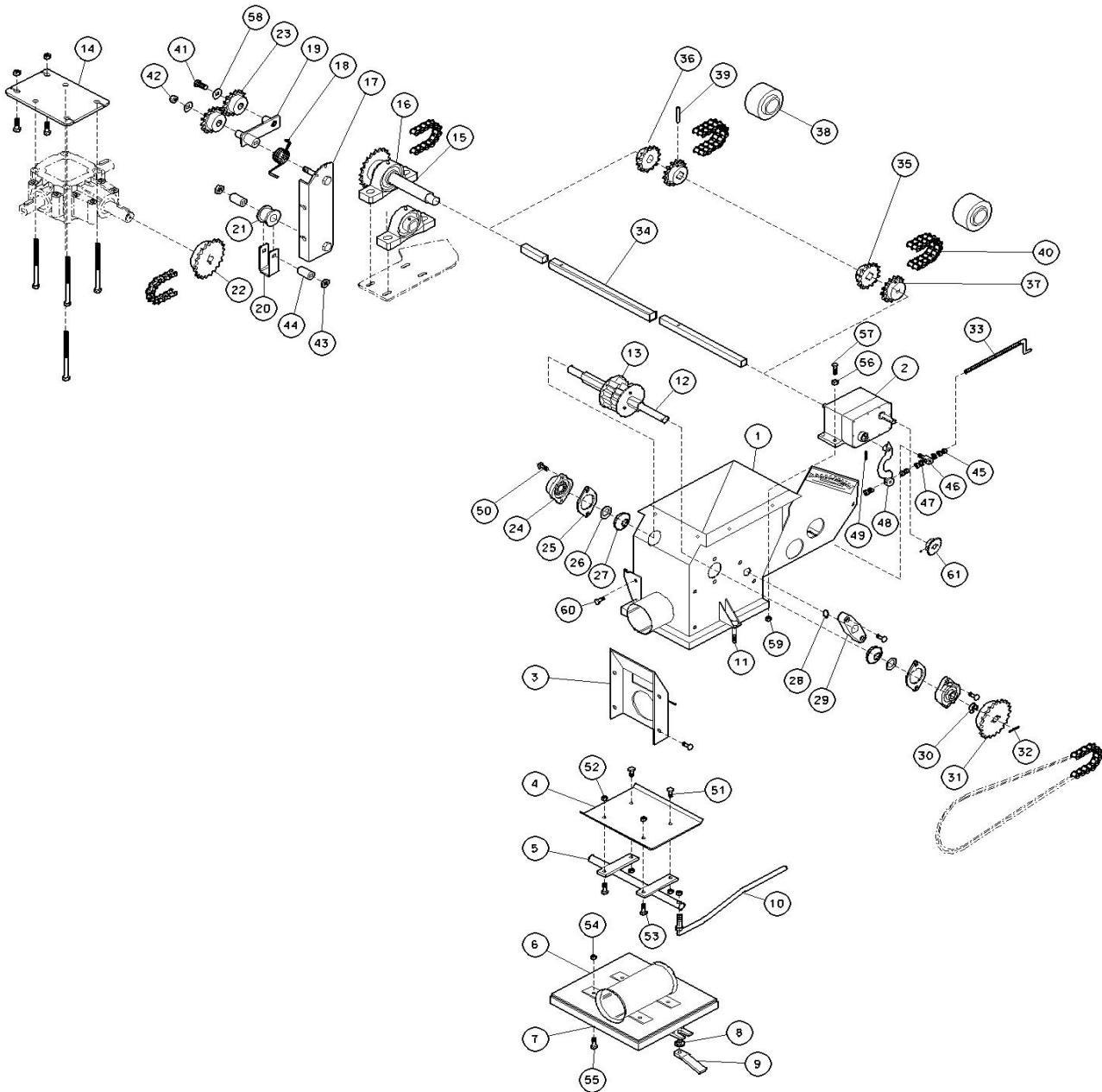


Small Seeds Box Metering Unit Suit Trailed Rear Models

Item No.	Part No.	Description	Qty
1	208102002	Metering Unit SSB Shell Under WA 3000-15000 TQ/TR/TT	1
2	130000020	Gearbox E2 Zero Max	1
3	208100020	Metering Unit Small Seeds Box Port Plate Assy (Hucked)	1
4	208100047	Metering Unit Small Seeds Box Clean Out Door	1
5	208100055	Metering Unit Small Seeds Box Clean Out Door Shaft WA	1
6	208100016	Unit Small Seeds Box Bottom Door Rubber 232 x 197 x 10mm	1
7	208100012	Metering Unit Small Seeds Box Bottom Door WA	1
8	035110191	Flat Washer Zp 3/8" ID X 3/4" OD X 1.5mm	2
9	208100060	Metering Unit Small Seeds Box Wing Nut	2
10	208100051	Metering Unit Small Seeds Box Clean Out Door Handle WA	1
11	208100061	Metering Unit Small Seeds Box Bottom Door Bolt WA	2
12	208100100	Metering Unit Small Seeds Box Spool Shaft	1
13	208100092	Metering Unit Small Seeds Box Spool Assembly	1
14	290600065	T-Box Relocation Plate 6/9/12000	1
15	135220616	Bearing EN205-16S 1" Bore	1
16	135320500	Bearing Housing Flange FC205-502	1
17	290000022	Tensioner Bracket WA S/S Box TQ & TR	1
18	124325080	Spring Torsional M/Unit 1" Shaft RH	1
19	290000026	Sprocket Tensioner WA TQ & TR	1
20	290000023	Tensioner Chain Guide S/S Box TQ & TR	1
21	290000024	Idler - Chain Tensioner S/S Box TQ & TR	1
22	290000115	Sprocket 21T x 25.4mm Bore Drilled/Tapped	1
23	126131100	Sprocket Plastic Boss BS 1/2" x 11T 16mm Bore	2
24	208400130	Metering Unit Bearing Assy c/w Gasket (MU-6-050)	2
25	197001626	Bearing Gasket (Small) Metering Unit	2
26	035316320	Flat Washer S-Steel 5/8" x 1 1/4" (MU-SW)	2
27	197161687	Seal Mechanical 5/8" Shaft 1.687mm OD	2
28	197192535	O'Ring Shaft N9-210 3/4" ID x 1" OD x 0.139"	2
29	137308846	Trap Door Bush Metering Unit (1/8846)	2
30	193003765	Sprocket Retainer Clip Metering Unit (MU-SRC)	1
31	208400161	Metering Unit Electric Drive Spkt 21T 1/2" BS x Drilled/Tapped 1/4	1
32	208400098	Metering Unit Sprocket Drive Pin (MU-6-070)	1

Small Seeds Box Metering Unit

Suit Trailed Rear Models Cont.

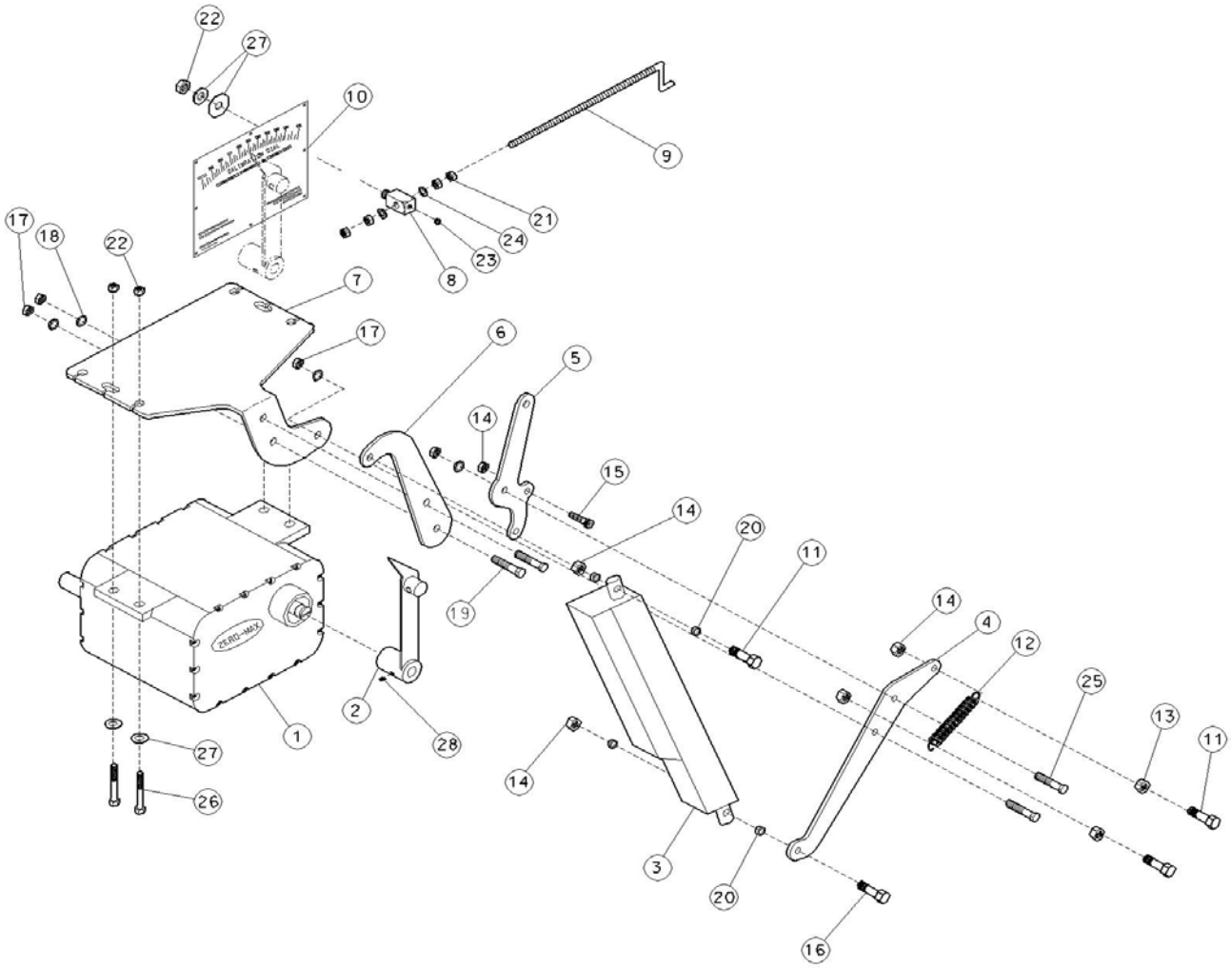




Small Seeds Box Metering Unit Suit Trailed Models

Item No.	Part No.	Description	Qty
33	209600001	Rate Adjuster Screw WA	1
34	290452075	Drive Tube SSB 4500 PM2 20mm RHS (300mm)	1
35	126131406	Sprocket Plastic Boss BS 1/2" x 14T Thin 16mm Sq Bore	2
36	126131402	Sprocket Plastic Boss BS 1/2" x 14T Thin 19mm Keyed Bore	2
37	290000036	Sprocket Plastic Boss BS 3/8" 'D' Bore x 14T Drilled/Tapped	1
38	131000004	Drive Shaft Rubber Chain Boot	2
39	090105044	Roll Pin 3/16" x 1 3/4" Zp	2
40	125412120	Chain 1/2" BS Duplex 13L & Con 1/2" (BS08B2)	2
41	000100205	Bolt H/Head 3/8" UNC X 3/4" Gr5 Zp	1
42	030130101	Nyloc Nut 3/8" UNC Zp	2
43	035110191	Flat Washer Zp 3/8" ID X 3/4" OD X 1.5mm	2
44	290000025	Tensioner Spacer S/S Box TQ & TR	1
45	030110081	Nut UNC Zp Hex 5/16"	5
46	209300003	Calibration Dial Pointer Swivel Nut	1
47	030130081	Nyloc Nut 5/16" UNC Zp	1
48	208102111	Metering Unit Small Seeds Box Calib. Dial Pointer WA TQ/TR/TT	1
49	013110613	Grub Screw 1/4" UNC X 1/2" Zp	1
50	010208025	Cap Screw Zp BSW 5/16" X 1"	4
51	000060135	Bolt H/Head 1/4" UNC x 1/2" Gr5 Zp	4
52	030170061	Nut UNC Huck 1/4" ATS 2-420	4
53	000060135	Bolt H/Head 1/4" UNC x 1/2" Gr5 Zp	4
54	030170061	Nut UNC Huck 1/4" ATS 2-420	4
55	010106025	Cap Screw Zp UNC 1/4" X 1"	4
56	035110191	Flat Washer Zp 3/8" ID X 3/4" OD X 1.5mm	4
57	010106025	Cap Screw Zp UNC 1/4" X 1"	4
58	035110251	Flat Washer Zp 3/8" Id x 1" Od x 1mm	2
59	030130061	Nyloc Nut 1/4" UNC Zp	4
60	010106012	Cap Screw Zp UNC 1/4" X 1/2"	2
61	208400167	Metering Unit Sprocket 14 Tooth 1/2" BS Sleeved to 3/8", Drill & Tapped 1/4"	1

Electric Over Zero Max Option Linear Actuator Drive





www.simplicityyuaus.com.au

Disclaimer: We reserve the right to alter the design or discontinue any of the company's products or services without notice. Whilst every effort has been made to ensure the accuracy of the information contained in this publication, our Company Policy of continual research and product development necessitates changes and refinements which may not be reflected in these pages. If in doubt, please contact your nearest Simplicity Australia Dealer.